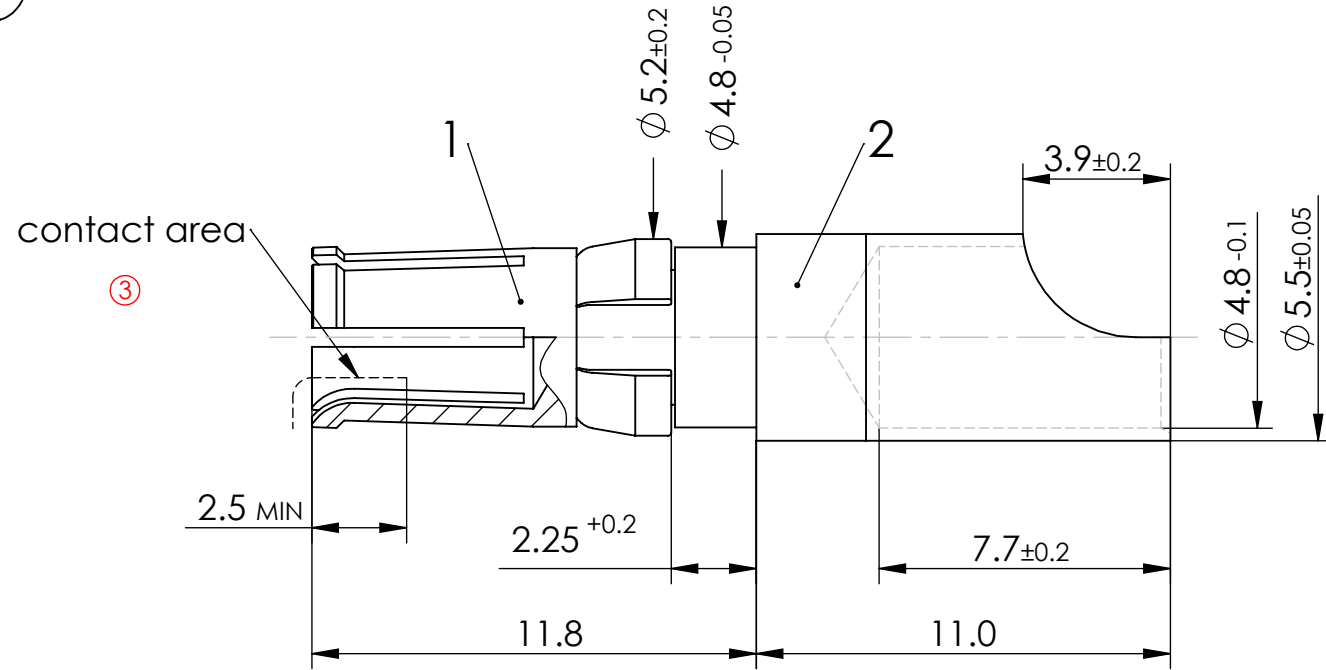
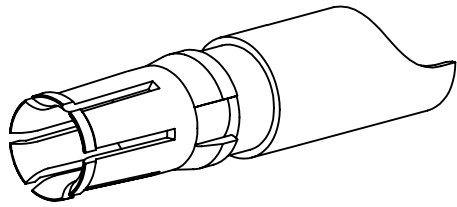


COMMENT:
 ALL RIGHTS ARE RESERVED BY US FOR THIS DRAWING. WITHOUT OUR PRIOR CONSENT,
 IT MAY NEITHER BE DUPLICATED NOR MADE AVAILABLE TO A THIRD PARTY,
 AND IT ALSO MAY NOT BE IMPROPERLY USED BY THE RECEIVER, OR A THIRD PARTY.



CURRENT		40 A		HIGH POWER CONTACT		SCALE 5:1		DATA SHEET		②	
FOR		D-Sub		DRAWN		NAME / DATE					
DIMENSIONS IN MM				DRAWN		DBocan 02-04-2003					
MATERIAL + FINISH SEE EXTRA SHEET				CHECKED		MTeubel 08-08-2006					
UNLESS OTHERWISE SPECIFIED DIMENSIONS FOR REFERENCE ONLY						PART NO.		FMP007S		REV.	
3		08-08-2006				11399				3	
REV.	DATE	INDEX	ORIGINAL: DIN A4-DRAWING AS A FILE				REPLACEMENT FOR:		PAGE: 1/1		