



TE Internal #: 1-626065-2

Crimp Terminal Housings, Tab, Tab Housing, 2 Position, Straight, UL 94V-0, Natural, Polyamide, Contact Mating Retention, Mating Alignment

[View on TE.com >](#)

Terminals & Splices > Terminal Housings, Insulation Sleeves & Blocks > Crimp Terminal Housings



Terminal Type: **Tab**

Connector & Housing Type: **Tab Housing**

Number of Positions: **2**

Terminal Orientation: **Straight**

UL Flammability Rating: **UL 94V-0**

### Features

#### Product Type Features

Sealable	No
Connector & Housing Type	Tab Housing

#### Configuration Features

Number of Positions	2
---------------------	---

#### Body Features

Primary Product Color	Natural
-----------------------	---------

#### Contact Features

Terminal Type	Tab
Terminal Orientation	Straight
Contact Mating Retention	With

#### Mechanical Attachment

Mating Alignment	With
Connector Mounting Type	Cable Mount (Free-Hanging)

#### Housing Features



Housing Material	Polyamide
Centerline (Pitch)	4.6 mm[.181 in]

### Usage Conditions

Operating Temperature Range	-40 – 105 °C[-40 – 221 °F]
-----------------------------	----------------------------

### Industry Standards

UL Flammability Rating	UL 94V-0
------------------------	----------

### Packaging Features

Packaging Method	Carton
------------------	--------

## Product Compliance

[For compliance documentation, visit the product page on TE.com>](#)

EU RoHS Directive 2011/65/EU	Compliant
EU ELV Directive 2000/53/EC	Compliant
China RoHS 2 Directive MIIT Order No 32, 2016	No Restricted Materials Above Threshold
EU REACH Regulation (EC) No. 1907/2006	Current ECHA Candidate List: JUNE 2023 (235) Candidate List Declared Against: JAN 2023 (233) Does not contain REACH SVHC
Halogen Content	Not Low Halogen - contains Br or Cl > 900 ppm.
Solder Process Capability	Not reviewed for solder process capability

#### Product Compliance Disclaimer

This information is provided based on reasonable inquiry of our suppliers and represents our current actual knowledge based on the information they provided. This information is subject to change. The part numbers that TE has identified as EU RoHS compliant have a maximum concentration of 0.1% by weight in homogenous materials for lead, hexavalent chromium, mercury, PBB, PBDE, DBP, BBP, DEHP, DIBP, and 0.01% for cadmium, or qualify for an exemption to these limits as defined in the Annexes of Directive 2011/65/EU (RoHS2). Finished electrical and electronic equipment products will be CE marked as required by Directive 2011/65/EU. Components may not be CE marked. Additionally, the part numbers that TE has identified as EU ELV compliant have a maximum concentration of 0.1% by weight in homogenous materials for lead, hexavalent chromium, and mercury, and 0.01% for cadmium, or qualify for an exemption to these limits as defined in the Annexes of Directive 2000/53/EC (ELV). Regarding the REACH Regulation, the information TE provides on SVHC in articles for this part number is based on the latest European Chemicals Agency (ECHA) 'Guidance on requirements for substances in articles' posted at this URL: <https://echa.europa.eu/guidance-documents/guidance-on-reach>

## Compatible Parts




TE Part # 180908  
FF 250 TAB HSG 2P NYLON NAT



TE Part # 180924  
FF 250 TAB HSG 2P NYLON NAT



TE Part # 1-180908-0  
FF 250 TAB HSG 2P NYLON NAT



TE Part # 626064  
2 WAY FASTIN-ON 110 HOUSING REC PA66 NAT



TE Part # 626065  
2 P FASTIN-ON 110 HOUSING TAB PA66 NAT



TE Part # 880298-1  
2 WAY FF 250 HOUSING TAB NATURAL



TE Part # 280924  
FF 250 & 375 TAB HSG 2P NYLON NAT



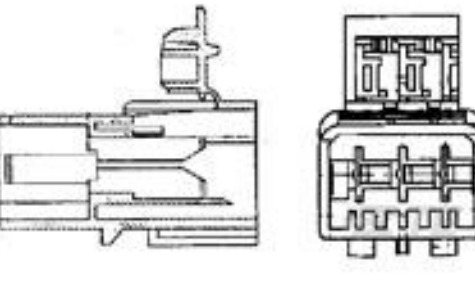
TE Part # 626065-5  
HOUSING 2P .110 FASTIN-ON TAB



TE Part # 4-180924-0  
FF 250 TAB HSG 2P NYLON NAT



TE Part # 9-144836-5  
DOUBLE LOCKING 5 MM HOUSING TAB PA66



TE Part # 1-144836-5  
HOUSING TAB 5MM 5 P BROWN



TE Part # 1-880298-0  
FASTON .250 SERIES (6.3 MM) HOUSING



TE Part # 5-144835-3  
HOUSING TAB 5MM 3 P GREEN



TE Part # 927203-1  
FF 250 TAB HSG 2P NYLON BLACK



TE Part # 927670-1  
FF 203 TAB HSG 16P NYLON NAT

### Customers Also Bought



TE Part #881719-1  
FASTIN FASTON 110 TAB 0.5-1.0 MM2 BR



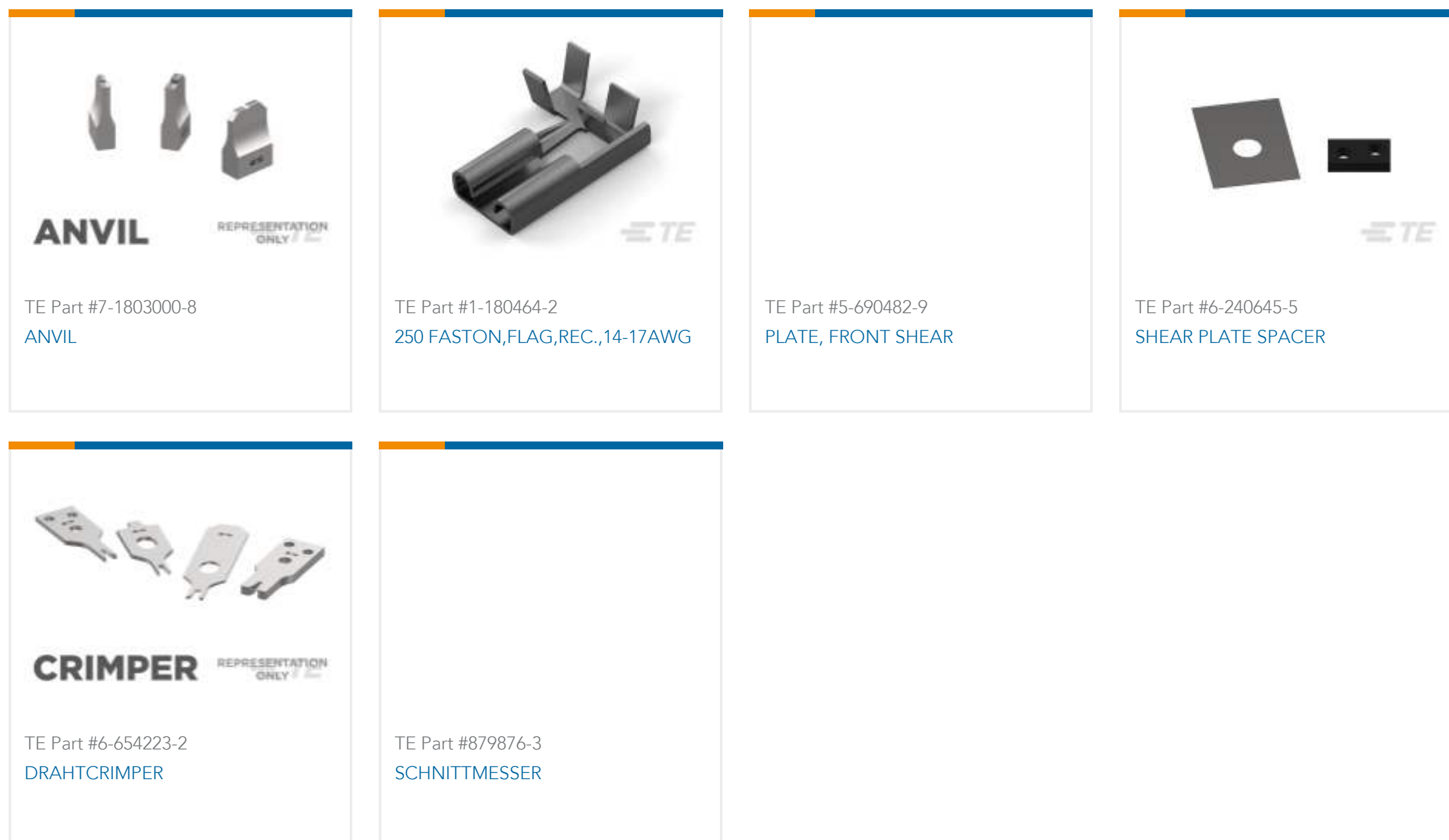
TE Part #929941-3  
JPT REC 2.8 Contact SWS Sn



TE Part #1803706-1  
CRIMPER, WIRE F



TE Part #3-459722-3  
BLADE, SHEAR



## Documents

### Product Drawings

FF 110 2P HOUSING TAB NATURAL PA6.6 V-0

English

### CAD Files

3D PDF

3D

Customer View Model

[ENG\\_CVM\\_CVM\\_1-626065-2\\_M.2d\\_dxf.zip](#)

English

Customer View Model

[ENG\\_CVM\\_CVM\\_1-626065-2\\_M.3d\\_igs.zip](#)

English

Customer View Model

[ENG\\_CVM\\_CVM\\_1-626065-2\\_M.3d\\_stp.zip](#)

English

By downloading the CAD file I accept and agree to the [Terms and Conditions](#) of use.

### Datasheets & Catalog Pages

White Paper: Nylon Discoloration

English

### Product Specifications

Application Specification

English

### Product Environmental Compliance

Product Compliance Document



English

[Product Compliance Document](#)

English