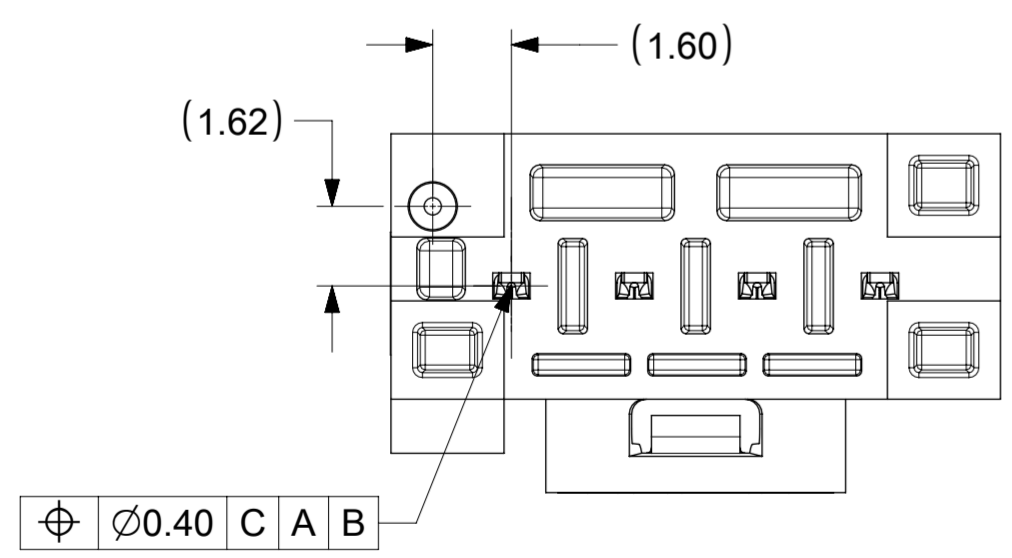
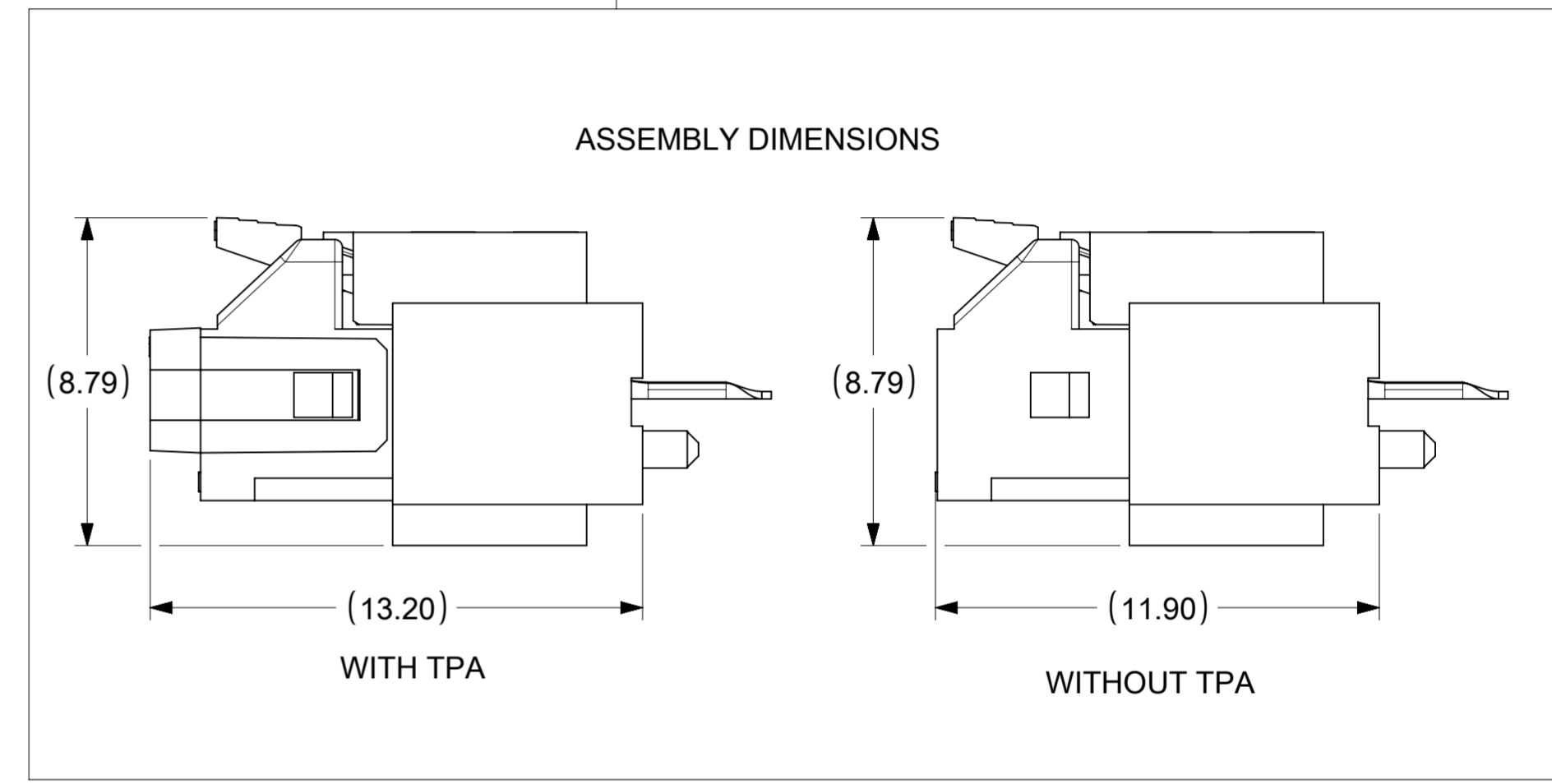
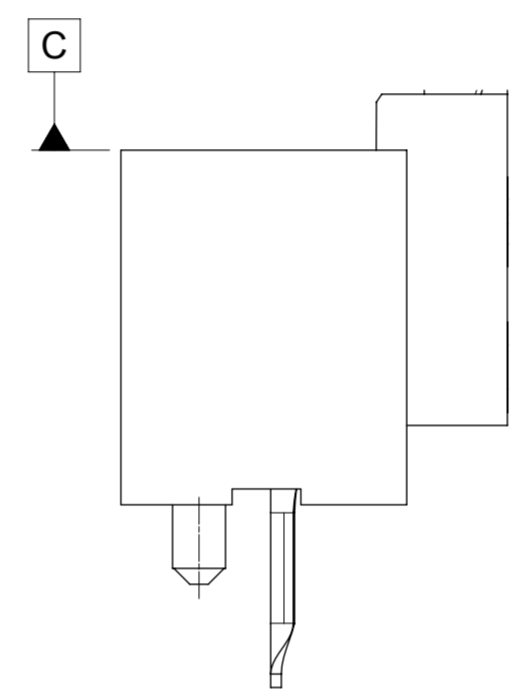
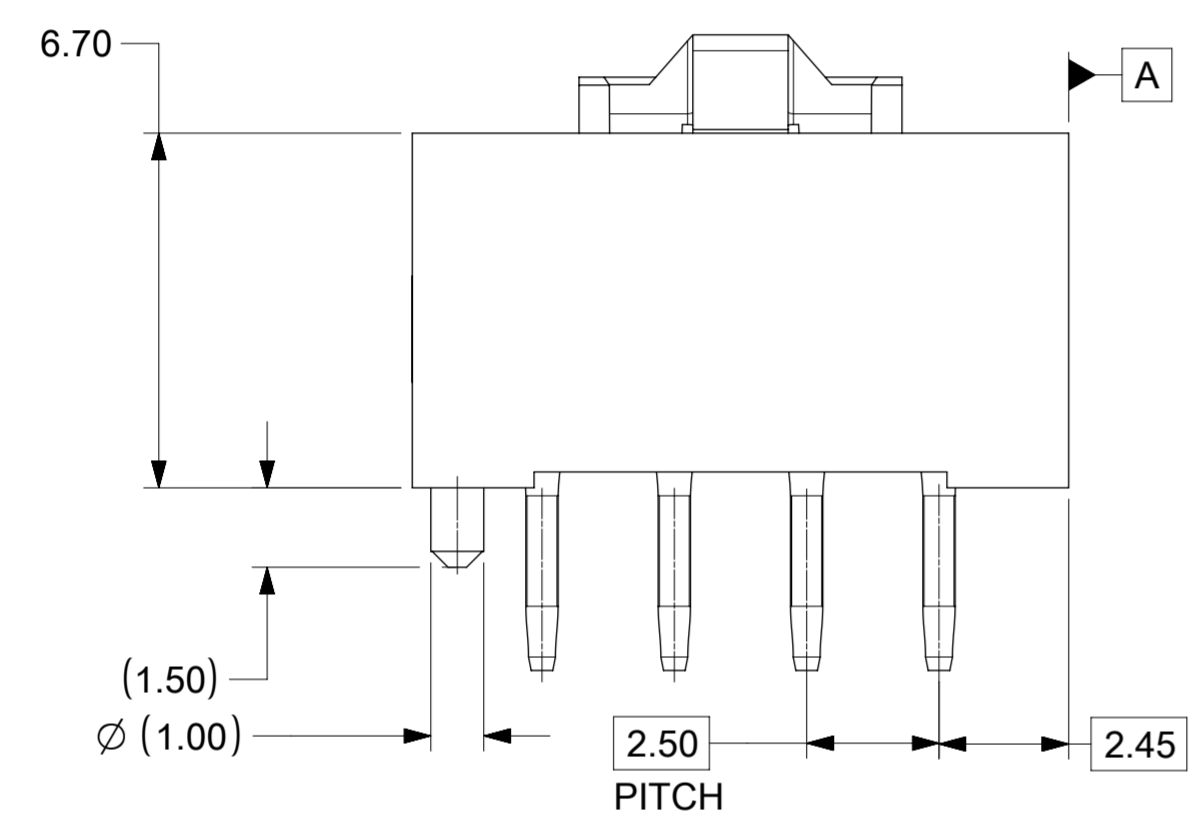


ISOMETRIC VIEW FOR  
4 CKT HEADER ASSEMBLY



- NOTES:  
 1. MATERIAL:  
 a. HOUSING: LIQUID CRYSTAL POLYMER, RATED UL 94V-0, COLOUR - BLACK  
 b. TERMINAL: BRASS ALLOY PLATING: TIN OVER NICKEL OVERALL.  
 2. PRODUCT SPECIFICATION: 2079020001-PS  
 3. PACKAGING SPECIFICATION: 2078430000-PK  
 4. COSMETIC SPECIFICATION: PS-45499-002 CLASS B

CKT SIZE	HEADER ASSEMBLY P/N	DIM. B
2	2078430002	8.00
3	2078430003	9.90
4	2078430004	12.40
5	2078430005	14.90
6	2078430006	17.40
7	2078430007	19.90
8	2078430008	22.40

SYMBOLS	THIS DRAWING CONTAINS INFORMATION THAT IS PROPRIETARY TO MOLEX ELECTRONIC TECHNOLOGIES, LLC AND SHOULD NOT BE USED WITHOUT WRITTEN PERMISSION		
	DIMENSION UNITS	SCALE	CURRENT REV DESC:
▽ = 0	mm	6:1	EC NO: 706742 DRWN: SHRUTJ 2022/04/20 CHK'D: SHRUTJ 2022/05/13 APPR: ISHWARG 2022/05/13
▽ = 0	GENERAL TOLERANCES (UNLESS SPECIFIED)		
▽ = 0	ANGULAR TOL ± °		INITIAL REVISION: DRWN: SUDAYGUNAGI 2018/06/19 APPR: ISHWARG 2019/04/16
▽ = 0	4 PLACES ±		
▽ = 0	3 PLACES ±		DOCUMENT NUMBER: 2078430004-SD DOC TYPE: PSD DOC PART: 000 REVISION: A5
▽ = 0	2 PLACES ± 0.25		
▽ = 0	1 PLACE ± 0.3		MATERIAL NUMBER: 207843 CUSTOMER: 1 OF 2
▽ = 0	0 PLACES ±		
▽ = 0	DRAFT WHERE APPLICABLE MUST REMAIN WITHIN DIMENSIONS		THIRD ANGLE PROJECTION
▽ = 0	DRAWING		SERIES: 207843

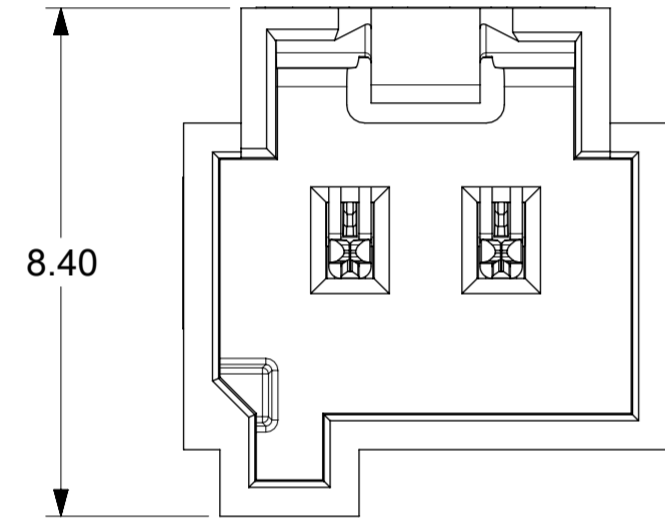
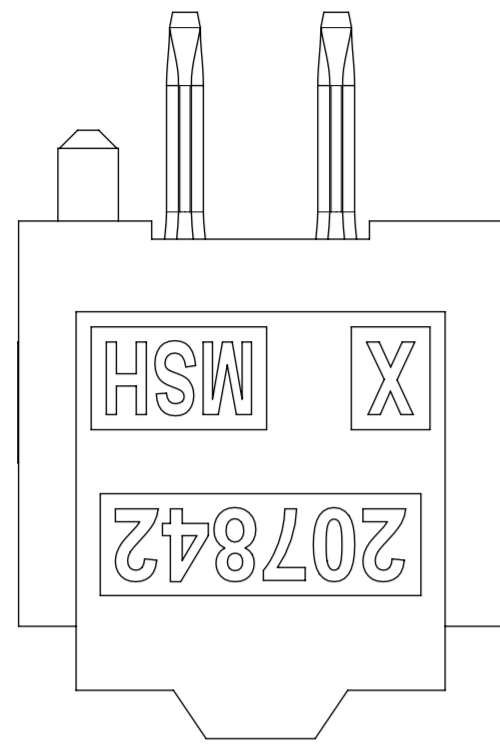


HEADER ASSEMBLY FOR KK PLUS 250

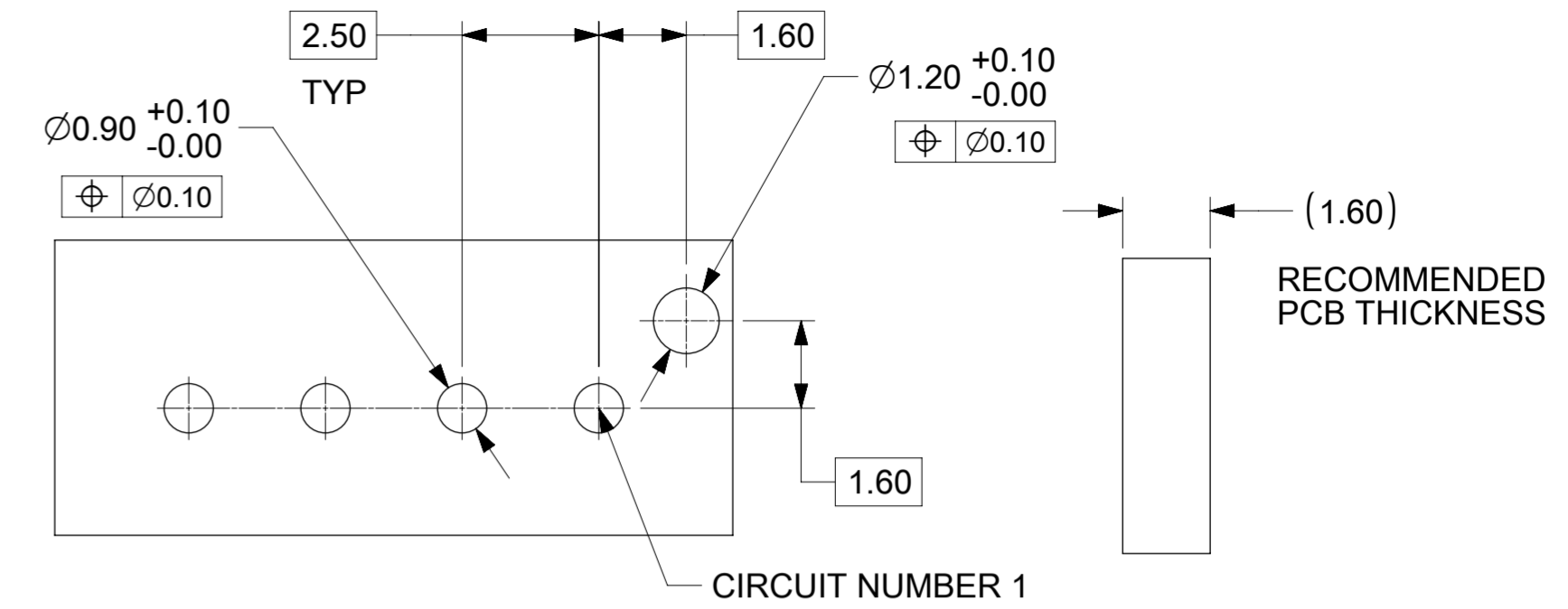
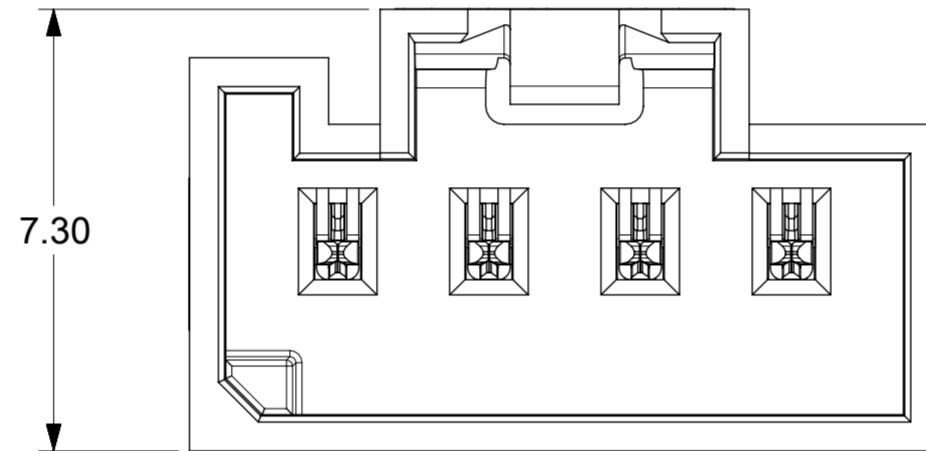
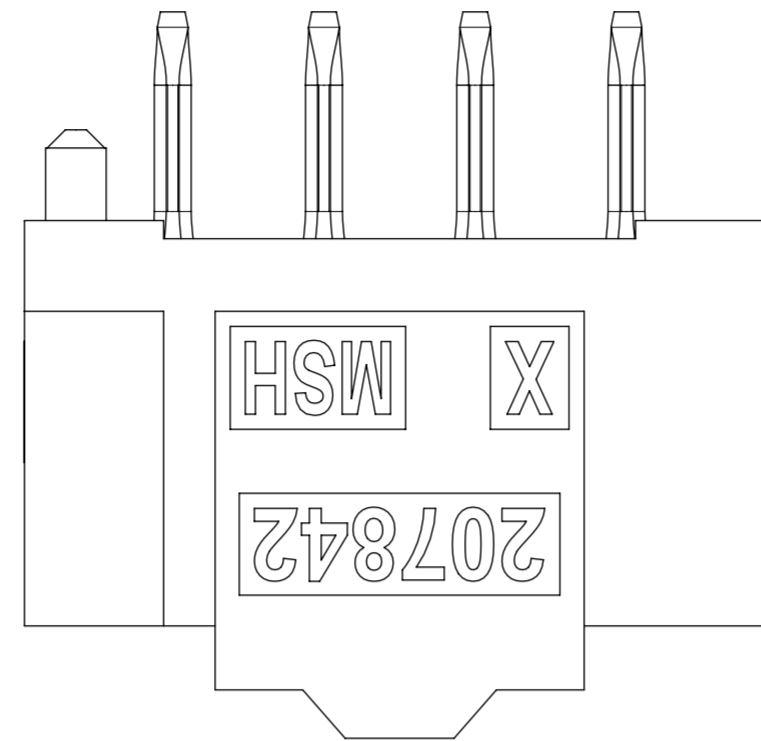
PRODUCT CUSTOMER DRAWING

# POLARIZATION

## 2 & 3CKT

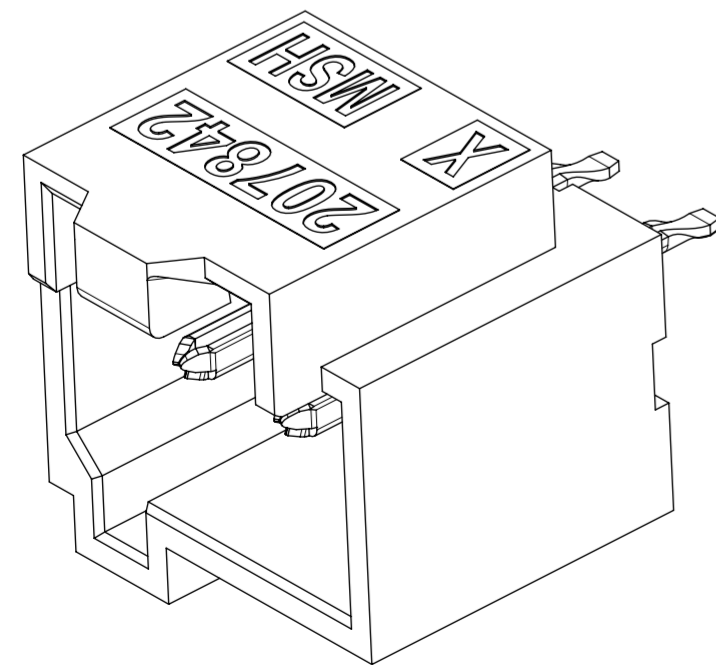


## 4 CKT TO 10 CKT

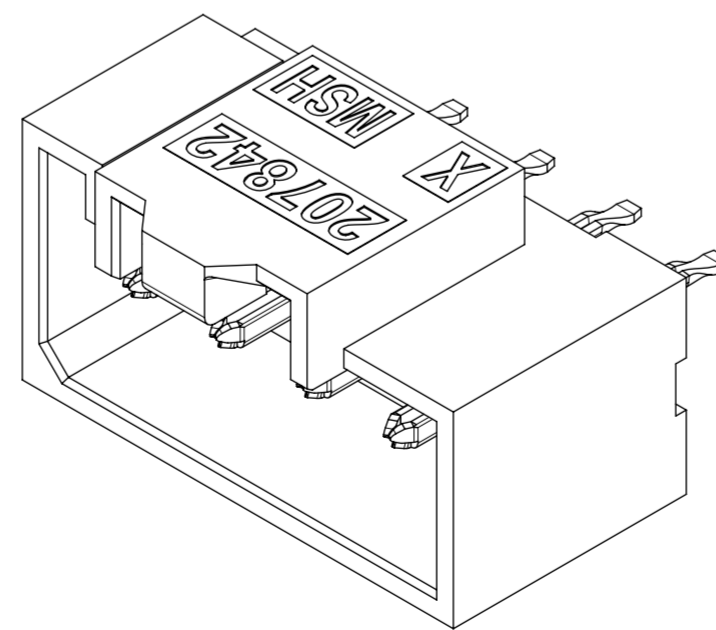


PCB LAYOUT FOR 4CKT HEADER ASSEMBLY  
PCB LAYOUT VIEWED FROM THE MATING SIDE

## ISOMETRIC VIEW FOR 2 & 3CKT



## ISOMETRIC VIEW FOR 4 CKT TO 10 CKT



SYMBOLS										THIS DRAWING CONTAINS INFORMATION THAT IS PROPRIETARY TO MOLEX ELECTRONIC TECHNOLOGIES, LLC AND SHOULD NOT BE USED WITHOUT WRITTEN PERMISSION									
DIMENSION UNITS		SCALE		CURRENT REV DESC:															
mm		8:1		EC NO: 706742															
GENERAL TOLERANCES (UNLESS SPECIFIED)				DRWN: SHRUTJ 2022/04/20															
ANGULAR TOL ± °				CHK'D: SHRUTJ 2022/05/13															
4 PLACES ±				APPR: ISHWARG 2022/05/13															
3 PLACES ±				INITIAL REVISION:															
2 PLACES ± 0.25				DRWN: SUDAYGUNAGI 2018/06/19															
1 PLACE ± 0.3				APPR: ISHWARG 2019/04/16															
0 PLACES ±				DRAFT WHERE APPLICABLE MUST REMAIN WITHIN DIMENSIONS															
THIRD ANGLE PROJECTION				DRAWING		SERIES		DOCUMENT NUMBER		DOC TYPE		DOC PART		REVISION					
A2-SIZE				207843		207843		2078430004-SD		PSD		000		A5					
MATERIAL NUMBER				CUSTOMER				SHEET NUMBER											
								2 OF 2											



HEADER ASSEMBLY FOR KK PLUS 250

PRODUCT CUSTOMER DRAWING