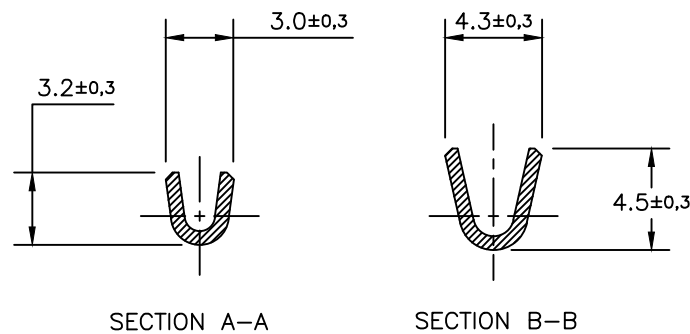
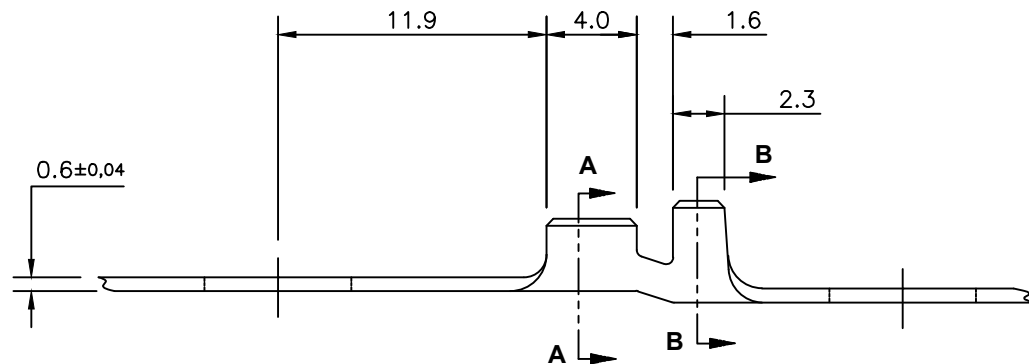
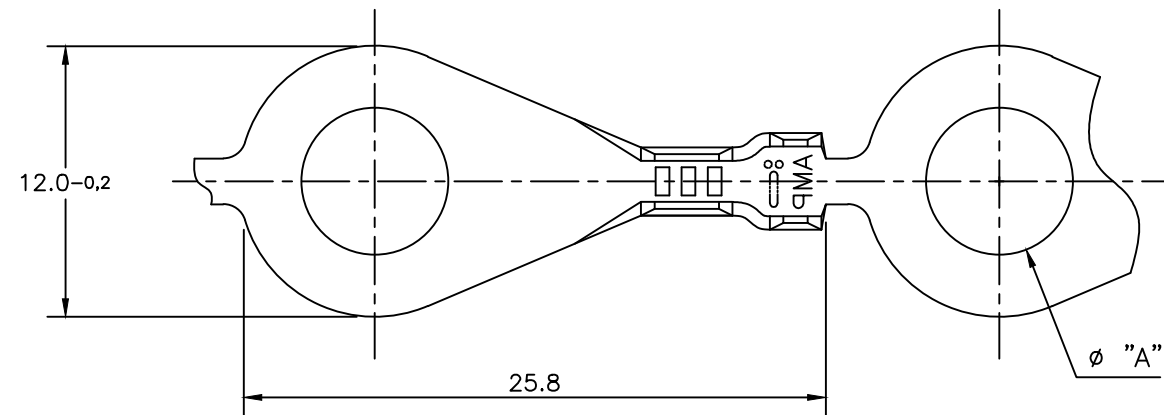


CAD
AutoCAD
DO NOT REVISE
EXCEPT BY CAD

LOC	DIST	REVISIONS			DATE	DWN	APVD
AP	-	P	LTR	DESCRIPTION	DATA	DES	APR
		A2	CHANGE SPEC	ECO-13-011010	15AUG2013	NCL	DAO



- 1 - C.A. 272
- 2 - BOBINAR COM PAPEL INTERCALADO.
(REELING WITH PAPER INTERLEAVE)
- 3 - OBSOLETE PARTS: OBSOLETE CIS
STREAMLINING PER D.RENAUD/D.SINISI

RELEASED FOR PUBLICATION

ALL RIGHTS RESERVED.

THIS DRAWING IS UNPUBLISHED.

COPYRIGHT © BY -

OBSOLETE	BRONZE FOSF. / PHOSP. BRONZE	ESTANHADO / TIN PLATED	6,5	880661-5	3
OBSOLETE	BRONZE FOSF. / PHOSP. BRONZE	---	6,5	880661-4	3

INSUL. RANGE ø 1,4-2,3	LATÃO / BRASS	1	ESTANHADO / TIN PLATED	6,5	880661-3	2
	LATÃO / BRASS		ESTANHADO / TIN PLATED	6,5	880661-2	
	LATÃO / BRASS		---	6,5	880661-1	
WIRE RANGE. 0,5-1,0 mm ²	MATERIAL		FINISH	ø "A" +0,2	PART NUMBER	

DIMENSIONS: DIMENSÕES mm	DWN/DES A.PERUSSI 12MAY03	MATERIAL	SEE TABLE	FINISH	-	
TOLERANCES UNLESS OTHERWISE SPECIFIED: TOLERANCIA NCD ESPECIFICADAS	CHK/CH P.L.FARIA 10MAY2003	TE TE Connectivity				
0 PLC/DEC ± - 1 PLC/DEC ± - 2 PLC/DEC ± 0,3 3 PLC/DEC ± - 4 PLC/DEC ± - ANGLES/ANGULARES ± 1°	APVD/APR D.A.OLIVEIRA 10MAY2003	PRODUCT SPEC	NAME DESRIGCO RING TONGUE			
	APPLICATION SPEC	SIZE	CAGE CODE	DRAWING NO DESENHO NO	RESTRICTED TO	
	WEIGHT	A4	00779	C=880661	-/-	
	CUSTOMER DRAWING/DESENHO DE CLIENTE		SCALE ESCALA	3:1	SHEET FOLHA	1 of 1
					REV	A2