

电源产品规格书

Power supply product specification

产品名称: 60W—LED 桌面式电源

72W—LED 桌面式电源

Product Name: 60W—LED Desktop Adapter

72W—LED Desktop Adapter

产品型号: AD-EL-120600-Z

AD-EL-240720-Z

Product Item: AD-EL-120600-Z

AD-EL-240720-Z

Shanghai Edge Light Industry Co.,LTD.

TEL:+86-21-64412288

FAX:+86-21-64412266

E-mail: info@edgelight.com



1、产品简介 Product Introductions



AD-EL-120600-Z



AD-EL-240720-Z

- 电气类型：隔离电源

Electrical type: isolated power supply

- 功能说明：全电压（半电压）无频闪

Function description: full voltage (half voltage) without stroboscopic

- 产品特性：class 2 & SELV 全电压范围内满载输出，高性能，高效率，可以连接我司的 three-in-one 调光控制器 构成 pwm/0-10v/resistor 调光电源

Features: class 2 & SELV full-load output in full voltage range, high performance, high efficiency, can be connected to our three-in-one dimming controller. pwm/0-10v/resistor dimming power supply

- 应用领域：led 照明领域，通信互联网设备供电
- 质保：参见产品寿命曲线

Warranty: See product life curve

- 认证：

Certification:   



2、电气规格 Electrical Specifications

指标 Index	型号全称 Full name of model	AD-EL-120600-Z	AD-EL-240720-Z
输出特性 Output characteristic	输出电压 Output voltage	12V	24V
	输出电流 Output current	5A	3A
	纹波+噪声电压 (最大) Ripple voltage + noise(peak-to-pe ak)	80mV (Vp-p)	80mV (Vp-p)
	电压精度 Voltage accuracy	±3%	±1%
	启动时间 (最大) Start time (maximum)	1.8s	1.8s
	温度漂移 Temperature drift	±0.03%/°C (0-60°C)	±0.03%/°C (0-60°C)
	输出线性调整率 Output linear adjustment rate	±3%	±1%
	负载调整率 Load regulation rate	±2%	±2%
	保持时间 Preserve time	50ms	50ms
	输入特性 Input characteristic s	输入电压 Input voltage	100VAC-240VAC
输入频率 Input frequency		50Hz/60Hz	50Hz/60Hz
输入电流 (最大值) Input current (maximum)		1.3A	1.3A
漏电流 Leakage current		0.8mA	0.8mA
效率 Efficiency		85%	84%

	浪涌电流 Surge current	冷启动 40A @230Vac	
	空载功耗/待机功耗 No-load power consumption / standby power consumption	1W/0.3W	1W/0.3W
保护特性 Protection characteristics	过流保护 Over current protection	7.5A	4.5A
	短路保护 Short circuit protection	有 yes	有 yes
环境描述 Environmental description	工作温度 Operating temperature	Tcase=-20°C-50°C	
	工作湿度 Working humidity	20-95%RH, 无冷凝 No cold condensation	
	存储温度-湿度 Storage temperature-humidity	-20°C-50°C 10-95%RH	
	大气压强 Atmospheric pressure	86-106KPa	
安全及规范 Safety and regulation	认证 Certification	CE、CB、UL-60950、UL-1310 (仅 AD-EL-240720-Z)	
	耐压 Pressure resistant	I/P-O/P:3KVAC	
	绝缘阻抗 Insulation resistance	I/P-O/P, I/P-FG,O/P-FG: 100MΩ/500Vdc/70%RH	
	电磁兼容干扰 Electromagnetic compatibility interference	符合 EN55015、EN61000-3-2、EN61000-3-3, EN61547 标准要求 Meets EN55015, EN61000-3-2, EN61000-3-3, EN61547 requirements	
	电磁兼容抗干扰 Electromagnetic compatibility	EN61000-3-2, EN61000-3-3, EN61547 标准要求 EN61000-3-2, EN61000-3-3, EN61547 standard requirements	

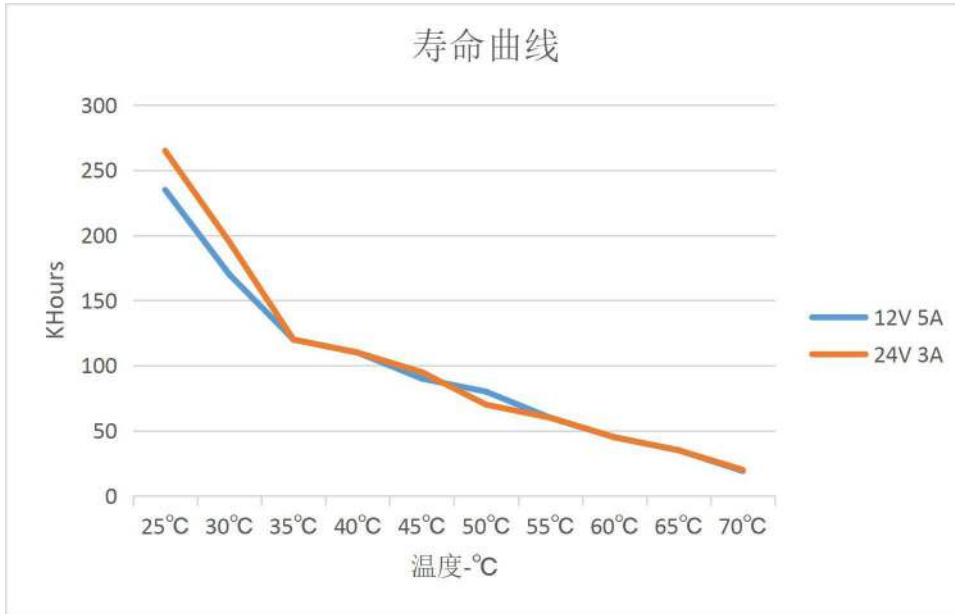
	anti-jamming		
其他 Others	包装 Package	净重量约 290g, 包装 330*50pcs; 18kg The net weight is about 290g, and the package is 330*50pcs; 16.5kg	净重量 308.4g, 包装 350*50pcs; 17.5kg Net weight 308.4g, packaging 350*50pcs; 17.5kg
	尺寸 Size	141*60*31.2mm	
	IP 等级说明 IP Level description	IP20	
	质保说明 Warranty description	≥2 年, 参见寿命曲线 ≥ 2 years, refer to life curve	≥2 年, 参见寿命曲线 ≥ 2 years, refer to life curve
测试设备 Test Equipment	<p>LCR METER: TH2830, fluke 数字万用表, 电子负载: PEL-3041, 交流源: 远方 PPS1010、功率分析仪: Ainuo, 数字示波器: SDS3034E, 传导分析仪: 远方 LS-3、FFT3030, 接地电阻测试仪: MS2520C 型, 耐压测试仪: TH9320, 烤箱, 电脑监控老化测试系统</p> <p>LCR METER: TH2830, fluke digital multimeter, electronic load: PEL-3041, AC source: remote PPS1010, power analyzer: Ainuo, digital oscilloscope: SDS3034E, conduction analyzer: remote LS-3, FFT3030, ground resistance tester: MS2520C Type, withstand voltage tester: TH9320, oven, computer monitoring aging test system.</p>		
测试说明 Test instruction	<p>纹波电压测试方法: 示波器探头设置 AC, 带宽设置 20M, 在输出端并接 10uF 电解电容/100nF 贴片电容。</p> <p>电压调整率: 所述产品效率在输入电压 230Vac 时测试。</p> <p>Ripple voltage test method: The oscilloscope probe is set to AC, the bandwidth is set to 20M, and 10uF electrolytic capacitor/100nF chip capacitor is connected at the output end.</p> <p>Voltage Regulation: The product efficiency is tested at an input voltage of 230Vac.</p>		



3、产品寿命 Product life span

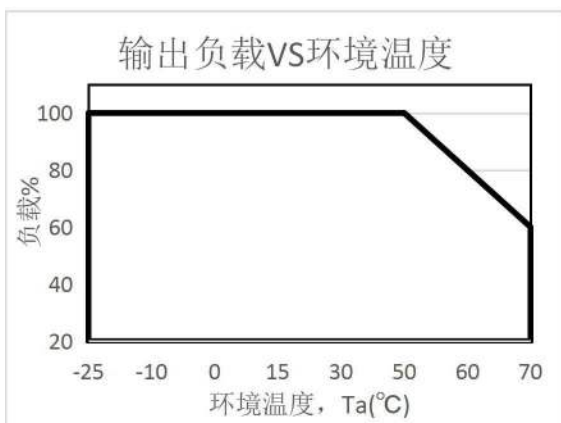
在一个密闭空间内，当环境温度达到 30°C，40°C，50°C，60°C，70°C时，计算产品使用寿命

In a confined space, when the ambient temperature reaches 30 ° C, 40 ° C, 50 ° C, 60 ° C, 70 ° C, Calculate product life



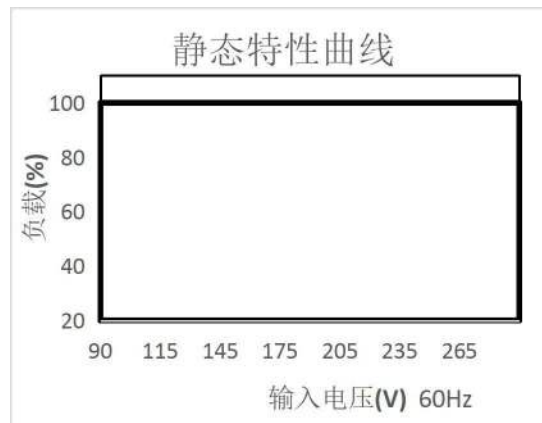
4、输出负载 VS 环境温度

Output load VS ambient temperature

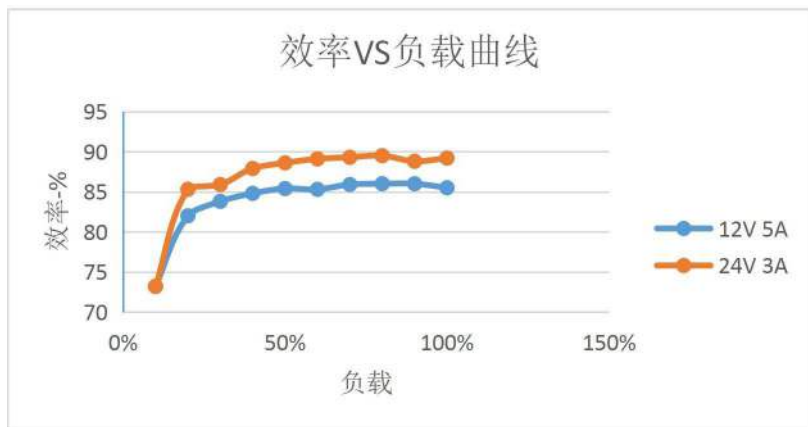


5.静态特性曲线

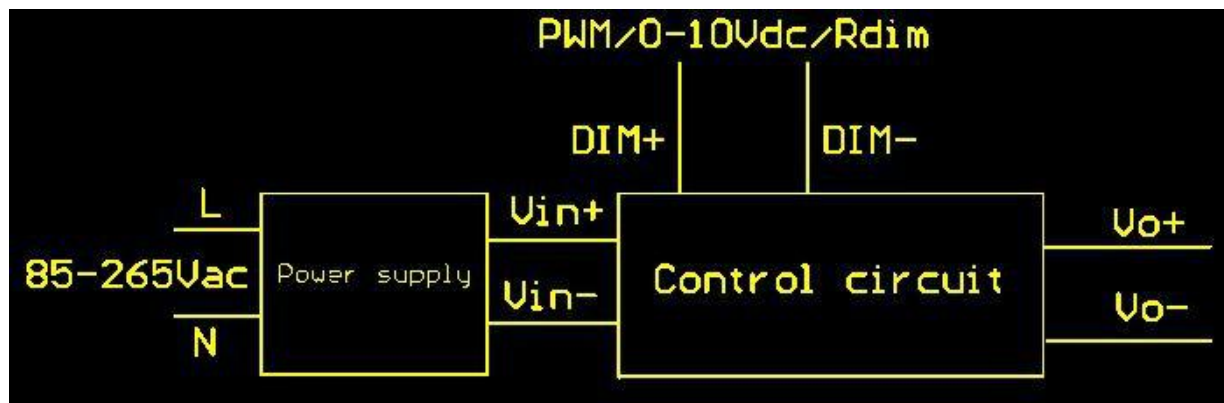
Static characteristic curve



6、效率 VS 负载 Efficiency vs load



7、结合调光器使用连接图 Use the connection diagram with the dimmer



三合一调光功能:

在 DIM+和 DIM-间连接一个电阻或连接 0-10V 直流电压或 PWM 信号, 即可调整输出恒电流的数值。
Vo+和 Vo-之间直接连接 12V 或者 24V 的 LED 灯条或灯带。

Three-in-one dimming function:

The output constant current value can be adjusted by connecting a resistor or connecting a 0-10V DC voltage or PWM signal between DIM+ and DIM-.
A 12V or 24V LED strip or strip is directly connected between Vo+ and Vo-.

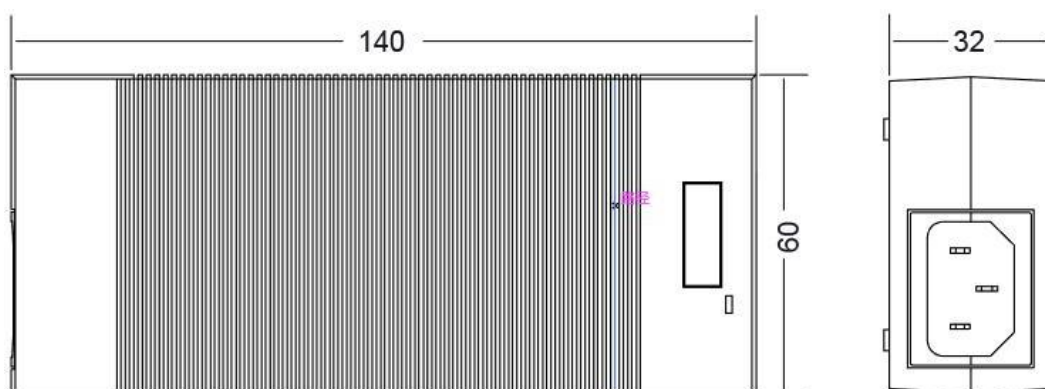


实物图连接如下:

The material is connected in the picture as follows:



8、外观尺寸 Exterior dimension



9、铭牌 Label

AC/DC ADAPTER

MODEL: AD-EL-120600-Z Class 2 power supply

INPUT: AC100-240V 50/60Hz

OUTPUT: DC12.0V \equiv 5A \ominus \oplus



EdgeLight

MADE IN CHINA

AC/DC ADAPTER

MODEL: AD-EL-240720-Z Class 2 power supply

INPUT: AC100-240V 50/60Hz

OUTPUT: DC24.0V \equiv 3A \ominus \oplus



EdgeLight

MADE IN CHINA