

1

2

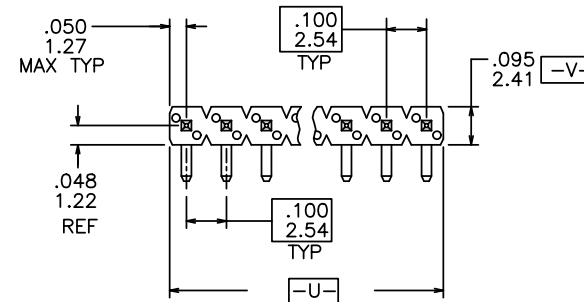
3

4

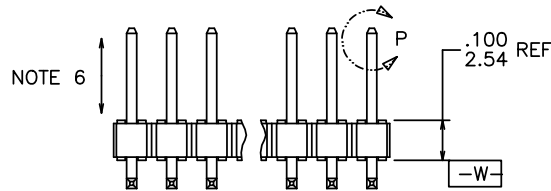
PRODUCT NUMBER

XXXXX-YYY HTLF

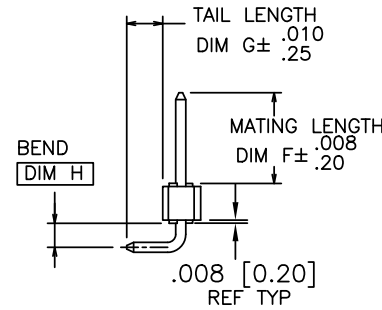
- LEAD FREE OPTION  
SEE NOTE 1,11
- TUBE PACKAGING OPTION  
SEE NOTE 1
- HIGH TEMPERATURE PLASTIC  
SEE NOTE 1
- NO OF POSITIONS  
SEE NOTE 1
- PIN PLATING  
SEE SHEET 2
- BASE PART NO.



TOP VIEW



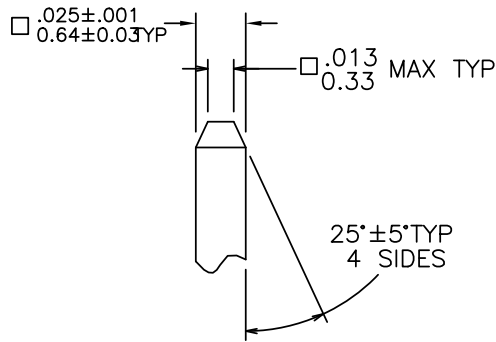
SIDE VIEW



END VIEW

⊕ ⌀.020/0.51 (M) U (M) V (S) W

NOTE 4



DETAIL P  
TYP BOTH ENDS

rev	ecn no	dr	date
CR	V81876	EPK	10/26/98
CS	V20790	GIP	04/24/02
CT	M04-0234	MHT	12/29/04
CU	M05-0072	MHT	5/03/05
CV	M06-0435	MHT	10/31/06
AH	M08-0291	MHT	10/06/08
AJ	N11-0118	J.Z	2011-04-11

www.fciconnect.com			surface 6.4 ISO 1302	tolerance std ISO 406 ISO 1101	projection ⊕	INCH/MM
TOLERANCES UNLESS OTHERWISE SPECIFIED			ANGULAR	LINEAR	size A4	Scale 1.000
Dr	D.WHITING	04/07/93	0°	±2°	0.X ±0.3	0.XX ±0.15
Eng	T.HANNA	04/07/93	0.XXX ±0.05	ECN N11-0118		
Chr	T.HANNA	04/07/93	Product family BERGSTIK		Spec ref	
Appr	T.HANNA	04/07/93	title BERGSTIK® II HEADER .100 SR R/A SELF-RET		dwg no 69191	Rev. AJ
catalog no			CUSTOMER		sheet 1 of 4	



Copyright FCI.

1

2

PIN PLATING CODES:	
XXXX-1YY	30u"/0.76u MIN (SEE NOTE 12) OVER 50u"/1.27u MIN Ni
XXXX-2YY	15u"/0.38u MIN (SEE NOTE 12) OVER 50u"/1.27u MIN Ni
XXXX-3YY	50u"/1.27u MIN (SEE NOTE 12) OVER 50u"/1.27u MIN Ni
XXXX-4YY	100u"/2.54u MIN Sn OVER 50u"/1.27u MIN Ni (SEE NOTE 1,13)
XXXX-4YYHLF	
XXXX-5YY	15u"/0.38u MIN (SEE NOTE 12) OVER 50u"/1.27u MIN Ni
XXXX-6YY	30u"/0.76u MIN (SEE NOTE 12) OVER 50u"/1.27u MIN Ni
XXXX-7YY	30u"/0.76u MIN (SEE NOTE 12) OVER 50u"/1.27u MIN Ni
XXXX-8YY	15u"/0.38u MIN (SEE NOTE 12) OVER 50u"/1.27u MIN Ni
XXXX-9YY	15u"/0.38u MIN (SEE NOTE 12) OVER 50u"/1.27u MIN Ni
XXXX-0YY	30u"/0.76u MIN (SEE NOTE 12) OVER 50u"/1.27u MIN Ni

NOTES

1. PART NUMBER OPTIONS:

PIN PLATING CODES (SEE ABOVE)

HIGH TEMP. MATERIAL:

FOR HIGH-TEMPERATURE APPLICATIONS, SPECIFY AN "H" AT THE END OF THE PART NUMBER, AND PCT WILL BE SUPPLIED.

NUMBER OF POSITION:

ANY NUMBER OF POSITIONS FROM 2 THRU 36.

PACKAGING:

PACKAGED IN POLY BAGS.

EIGHT DIGIT PART NUMBERS FOLLOWED BY A "T" ARE PACKAGED IN TUBES. SEE SPECIFIC PART NUMBERS FOR AVAILABILITY.

LEAD FREE:

ADD "HLF" SUFFIX AT THE END OF PART NUMBER FOR LEAD FREE OPTION, NOT AVAILABLE FOR -5YY,-5YYH,-6YY & -6YYH.

2. BODY MATERIAL:

MANUFACTURER'S OPTION OF NYLON OR PCT, GLASS FIBER REINFORCED, FLAME RETARDENT PER UL-94V-0.

COLOR: BLACK. OR MINERAL FILLES LCP, COLOR BLACK FLAME RETARDENT PER UL-94V-0

PART NUMBERS WITH "H" SUFFIX WILL WITHSTAND EXPOSURE TO 260°C PEAK TEMPERATURE FOR 20 SECONDS IN WAVE SOLDER, INFRA-RED OR VAPOR PHASE SOLDER PROCESS.

PART NUMBERS WITHOUT "H" SUFFIX WILL WITHSTAND EXPOSURE TO 260°C PEAK TEMPERATURE FOR WAVE SOLDER PROCESS.

- 3. PIN MATERIAL: PHOS-BRONZE.
- 4. MEASURED WITH PART IN RESTRAINED CONDITION.
- 5. TWO SIDES OF PIN TIPS NOT PLATED. TYPICAL BOTH ENDS.
- 6. 2LBS/0.9KG MIN PIN RETENTION IN EITHER DIRECTION.
- 7. ±.010/0.25 ON DIM "F" APPLIES TO THIS PART ONLY.
- 8. 5LB/2.3KG MAX INSERTION FORCE AND .25LB/.1KG MIN RETENTION FORCE PER RETENTIVE PIN USING .062/1.57 THICK CIRCUIT BOARDS AND RECOMMENDED HOLE PATTERN.
- 8. DETAIL N DIMENSIONS APPLY TO 2 POSITION PARTS ONLY
- 9. SECTION R-R DIMENSIONS ONLY APPLY TO RETENTION. PIN POSITIONS FOR 3 POSITION PARTS AND LARGER. RETENTION PIN POSITIONS LOCATED AT MANUFACTURES OPTION.
- 10. SECTION S-S DIMENSIONS APPLY TO DUAL RETENTION PIN POSITIONS ONLY. SEE PRODUCT PART NUMBER FOR SINGLE OR DUAL SIDE RETENTION. LOCATED AT MANUFACTURER'S OPTION.
- 11. THESE PRODUCTS MEETS EUROPEAN UNION DIRECTIVES AND OTHER COUNTRY REGULATION AS DESCRIBED IN GS-22-008.
- 12. PLATING OPTIONS: PERFORMANCE PLATING WILL BE EITHER GOLD OR GXT ON POST OR TAIL, OPTIONALLY (78~295u"/2~7.5u) TIN ON TAIL.
- 13. THIS PRODUCT HAS 100% TIN PLATING IN THE INTERFACE AND HAS NOT BEEN TESTED FOR WHISKER GROWTH IN ALL INTERCONNECT ENVIRONMENTS."



RECOMMENDED HOLE PATTERN

www.fciconnect.com			surface ISO 1302	tolerance std ISO 406 ISO 1101	projection INCH/MM
			TOLERANCES UNLESS OTHERWISE SPECIFIED		← →
Dr	D.WHITING	04/07/93	ANGULAR	0.X ±.0.3	size A4
Eng	T.HANNA	04/07/93	LINEAR	0.XX ±.0.15	Scale 1.000
Chr	T.HANNA	04/07/93	0° ±2°	0.XXX ±.0.05	ECN N11-0118
Appr	T.HANNA	04/07/93	Product family	BERGSTIK	Spec ref
FCI		title		dwg no	Rev.
		BERGSTIK® II HEADER		69191	AJ
		.100 SR R/A SELF-RET			
		catalog no	CUSTOMER		sheet 2 of 4



Copyright FCI.

D

1

2

3

4

A

B

C

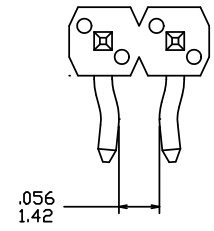
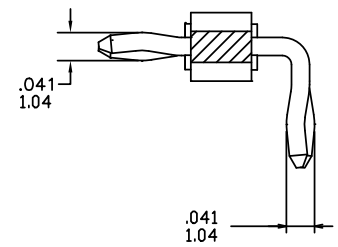
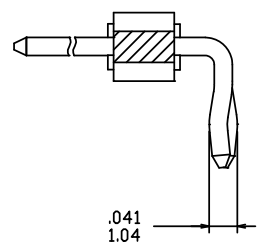
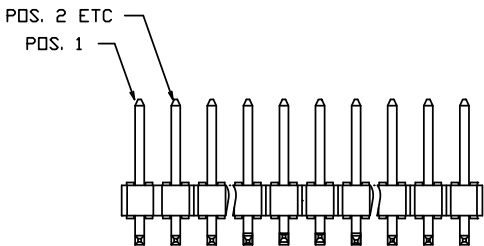
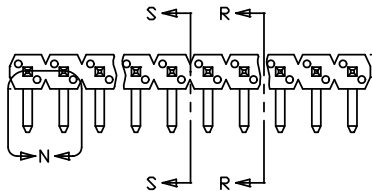
D

A

B

C

D



Copyright FCI.

www.fciconnect.com			surface ISO 1302 ✓	tolerance std ISO 406 ISO 1101	projection ⊕	INCH/MM ↔
			TOLERANCES UNLESS OTHERWISE SPECIFIED			
Dr	D.WHITING	04/07/93	ANGULAR	LINEAR	0.X	±0.3
Eng	T.HANNA	04/07/93			0.XX	±0.15
Chr	T.HANNA	04/07/93	0°	±2°	0.XXX	±0.05
Appr	T.HANNA	04/07/93	Product family		BERGSTIK	Spec ref
			title		BERGSTIK® II HEADER	
			title		.100 SR R/A SELF-RET	
			catalog no		CUSTOMER	
			dwg no		69191	
			Rev.		AJ	
			sheet 3 of 4			

REV F - 2006-04-17

1

2

PDM: Rev:AJ

STATUS: Released

4 Printed: May 20, 2011

1

2

3

4

PRODUCT NUMBER	MATING LENGTH		TAIL LENGTH		BEND DIM		RETENTION	PACKAGING	NOTES	LF OPTION
	DIM F	DIM F	DIM G	DIM G	DIM H	DIM H				
	ENGLISH	METRIC	ENGLISH	METRIC	ENGLISH	METRIC	LOCATION			
69191-XYX	0.230	5.84	0.120	3.05	0.060	1.52	G TAIL	POLY BAGS/TUBES	-	NOTE 1,11
72375-XYXH	0.240	6.10	0.120	3.05	0.060	1.52	G TAIL	POLY BAGS	-	
78554-XYX	0.318	8.08	0.120	3.05	0.060	1.52	G TAIL	POLY BAGS/TUBES	-	
78940-XYX	0.120	3.05	0.120	3.05	0.060	1.52	F MATE & G TAIL	POLY BAGS	7	
78952-XYX	0.120	3.05	0.318	8.08	0.135	3.43	F MATE	POLY BAGS	7	
79253-XYX	U N A V A I L A B L E									
84825-XYXH	0.354	9.00	0.102	2.60	0.060	1.52	G TAIL	POLY BAGS	-	
84851-XYXH	0.140	3.56	0.290	7.37	0.153	3.89	G TAIL	POLY BAGS	-	
86641-XYX	0.120	3.05	0.120	3.05	0.060	1.52	G TAIL	POLY BAGS	-	
87018-XYX	U N A V A I L A B L E									
87844-XYX	U N A V A I L A B L E									
87965-XYX	U N A V A I L A B L E									
88869-XYX	0.120	3.05	0.230	5.84	0.135	3.43	F MATE	POLY BAGS	7	
90304-XYX	0.165	4.19	0.120	3.05	0.060	1.52	G TAIL	POLY BAGS	-	
90604-XYX	U N A V A I L A B L E									
90609-XYX	U N A V A I L A B L E									
90638-XYX	0.120	3.05	0.262	6.65	0.060	1.52	F MATE	POLY BAGS/TUBES	7	
90640-XYX	0.120	3.05	0.262	6.65	0.127	3.23	F MATE	POLY BAGS	7	
94669-XYXH	0.230	5.84	0.085	2.16	0.060	1.52	G TAIL	POLY BAGS	-	
94670-XYXH	0.400	10.16	0.085	2.16	0.060	1.52	G TAIL	POLY BAGS	-	NOTE 1,11



Copyright FCI.

www.fciconnect.com			surface ISO 1302 ✓	tolerance std ISO 406 ISO 1101	projection ⊕	INCH/MM ←→
			TOLERANCES UNLESS OTHERWISE SPECIFIED			
Dr	D.WHITING	04/07/93	ANGULAR	LINEAR	0.X	±0.3
Eng	T.HANNA	04/07/93			0.XX	±0.15
Chr	T.HANNA	04/07/93	0°	±2°	0.XXX	±0.05
Appr	T.HANNA	04/07/93	Product family		BERGSTIK	Spec ref
FCI			title		BERGSTIK® II HEADER	
			catalog no		.100 SR R/A SELF-RET	
			dwg no		69191	
			CUSTOMER		Rev. AJ	
			sheet 4 of 4			

REV F - 2006-04-17

1

2

PDM: Rev:AJ

STATUS: Released

4 Printed: May 20, 2011