

# 10Gig™ SFP+ Direct Attach Passive Copper Cable Assemblies

## Low Power, Low Latency 10 Gb/s Server Interconnect Solution for Top of Rack Switching Applications



As virtualization, consolidation, and convergence initiatives continue to grow, so do the demands placed on the physical infrastructure. To meet the needs for faster processing speeds, low power server inter-connect and I/O consolidation deployments, Panduit offers 10Gig™ SFP+ Direct Attach Passive Copper Cable Assemblies.

This high speed data transport capability is ideal as server virtualization becomes more prevalent. With multiple virtual machines, server I/O consolidation topology requires 10 Gb/s interconnects between top of rack switches and servers. By incorporating 10Gig™ SFP+ Direct Attach Passive Copper Cable Assemblies into the physical infrastructure, businesses can achieve 10 Gigabit performance port-to-port without additional signal processing or conversion, providing a low power, low latency 10 Gb/s server interconnect option for top of rack switching applications.

End-to-end high speed data transport systems from Panduit deliver enhanced availability, agility, and security. Visit [www.panduit.com](http://www.panduit.com) to learn more about how these solutions help customers manage risk across the physical infrastructure.

Key Features	Benefits
<b>100% performance tested</b>	Confidence that each assembly delivers specified performance for ensured network availability
<b>Compliant to SFF-8431, SFF-8432 and SFF-8472</b>	Ensuring 10 Gb/s performance when mated to any SFF-8431 SFP+ compliant host port
<b>Robust construction</b>	High speed 10 GHz twin-axial cable, with two shielded parallel pairs, factory terminated to SFP+ 10 Gb/s hot pluggable modular connectors; rated to a minimum 250 mating cycles
<b>Low latency performance</b>	Ideal for high performance computer clustering and other latency sensitive applications
<b>Passive low power assembly</b>	Provides a low cost short reach interconnect option with no additional power draw
<b>Low profile</b>	Robust easy-to-use connector latching feature allows easy installation in belly-to-belly high density installations
<b>Small diameter cable design</b>	Enables proper cable management and improved air flow
<b>Built-in strain relief</b>	Ensures proper bend radius control for reliable deployment
<b>Variety of lengths</b>	Available 0.5 to 7 meters (0.5 meter increments) for design flexibility and optimum airflow
<b>Variety of colors</b>	Available in Blue, White, Black, Red, Green, and Orange for easy identification of multiple networks and fabrics

### Key Applications Include:

- Top of Rack Switching
- I/O Consolidation
- Fibre Channel Over Ethernet (FCOE)
- 10 Gigabit Ethernet
- 8 Gb/s Fibre Channel
- High Performance Computer Clustering

# 10Gig™ SFP+ Direct Attach Passive Copper Cable Assemblies

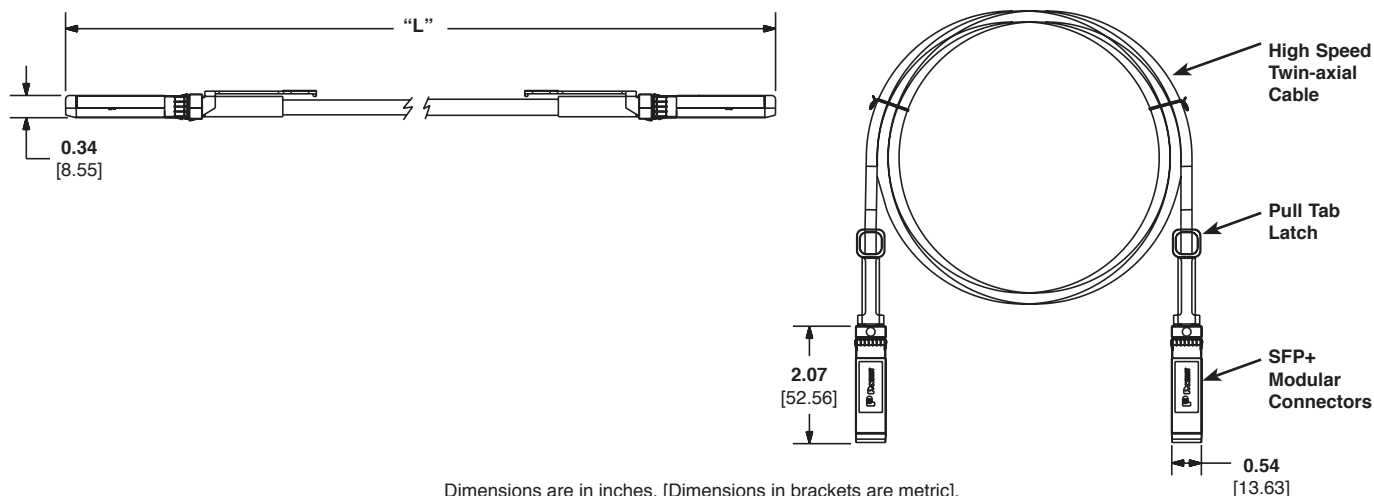
## Technical Information

Characteristic impedance	100 +/- 5 Ω
Temperature range	0°C to 70°C (32°F to 158°F)
IEC flame compliance	IEC 60332, 60333, 60324
Bend radius	5 x O.D. single time, 10 x O.D. repeated times
Insertion force to cage	18N (4 lbf.) maximum
Withdrawal force from cage	12.5N (2.8 lbf.) maximum
Retention force	90 – 170N (20 – 38 lbf.)
ROHS status	Compliant

## Ordering Information

Part Number	Length (m)	Length (Ft.)	Cable Gauge	Nominal Cable O.D.		Cable Jacket
				mm	In.	
PSF1PXA0.5MBU	0.5	1.6	30 AWG	4.1	0.161	PVC
PSF1PXA1MBU	1	3.3	30 AWG	4.1	0.161	PVC
PSF1PXA1.5MBU	1.5	4.9	30 AWG	4.1	0.161	PVC
PSF1PXA2MBU	2	6.6	30 AWG	4.1	0.161	PVC
PSF1PXA2.5MBU	2.5	8.2	30 AWG	4.1	0.161	PVC
PSF1PXA3MBU	3	9.8	30 AWG	4.1	0.161	PVC
PSF1PXA3.5MBU	3.5	11.5	30 AWG	4.1	0.161	PVC
PSF1PXD4MBU	4	13.1	24 AWG	6.0	0.236	PVC
PSF1PXD4.5MBU	4.5	14.4	24 AWG	6.0	0.236	PVC
PSF1PXD5MBU	5	16.4	24 AWG	6.0	0.236	PVC
PSF1PXD5.5MBU	5.5	17.6	24 AWG	6.0	0.236	PVC
PSF1PXD6MBU	6	19.7	24 AWG	6.0	0.236	PVC
PSF1PXD6.5MBU	6.5	20.8	24 AWG	6.0	0.236	PVC
PSF1PXD7MBU	7	23.0	24 AWG	6.0	0.236	PVC

Note: For standard cable colors other than BU (Blue), replace BU in part number with WH (White), BL (Black), RD (Red), GR (Green), or OR (Orange).



Dimensions are in inches. [Dimensions in brackets are metric].

### WORLDWIDE SUBSIDIARIES AND SALES OFFICES

PANDUIT US/CANADA  
Phone: 800.777.3300

PANDUIT EUROPE LTD.  
London, UK  
cs-emea@panduit.com  
Phone: 44.20.8601.7200

PANDUIT SINGAPORE PTE. LTD.  
Republic of Singapore  
cs-ap@panduit.com  
Phone: 65.6305.7575

PANDUIT JAPAN  
Tokyo, Japan  
cs-japan@panduit.com  
Phone: 81.3.6863.6000

PANDUIT LATIN AMERICA  
Guadalajara, Mexico  
cs-la@panduit.com  
Phone: 52.33.3777.6000

PANDUIT AUSTRALIA PTY. LTD.  
Victoria, Australia  
cs-aus@panduit.com  
Phone: 61.3.9794.9020

For a copy of Panduit product warranties, log on to [www.panduit.com/warranty](http://www.panduit.com/warranty)

For more information

Visit us at [www.panduit.com](http://www.panduit.com)

Contact Customer Service by email: [cs@panduit.com](mailto:cs@panduit.com)  
or by phone: 800.777.3300

**PANDUIT**®

©2017 Panduit Corp.  
ALL RIGHTS RESERVED.  
COCB05--WW-ENG  
Replaces WW-COCB20  
4/2017