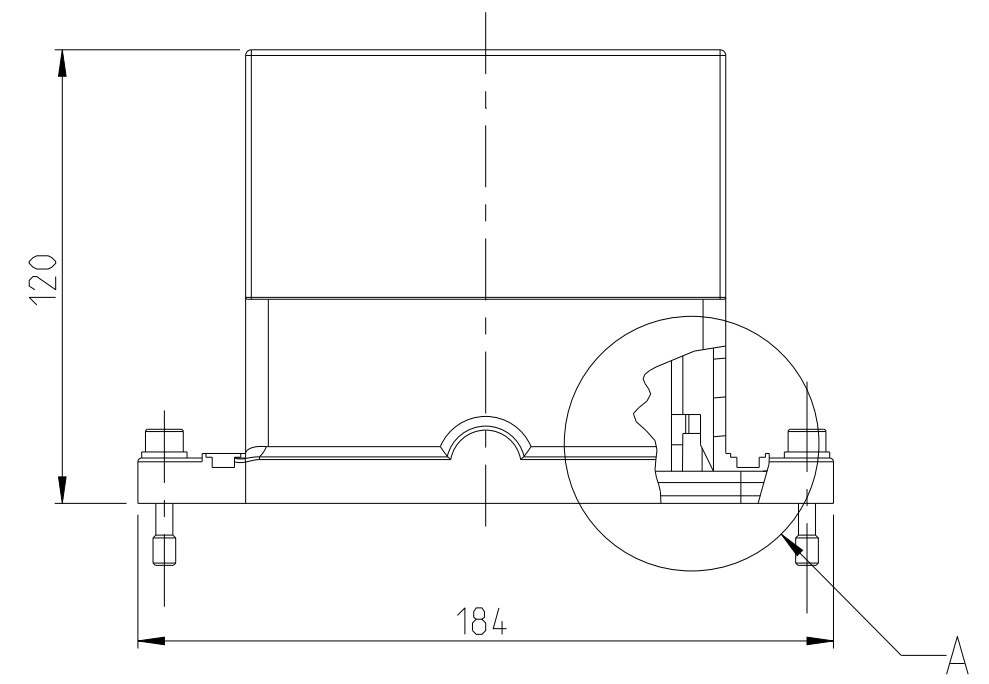
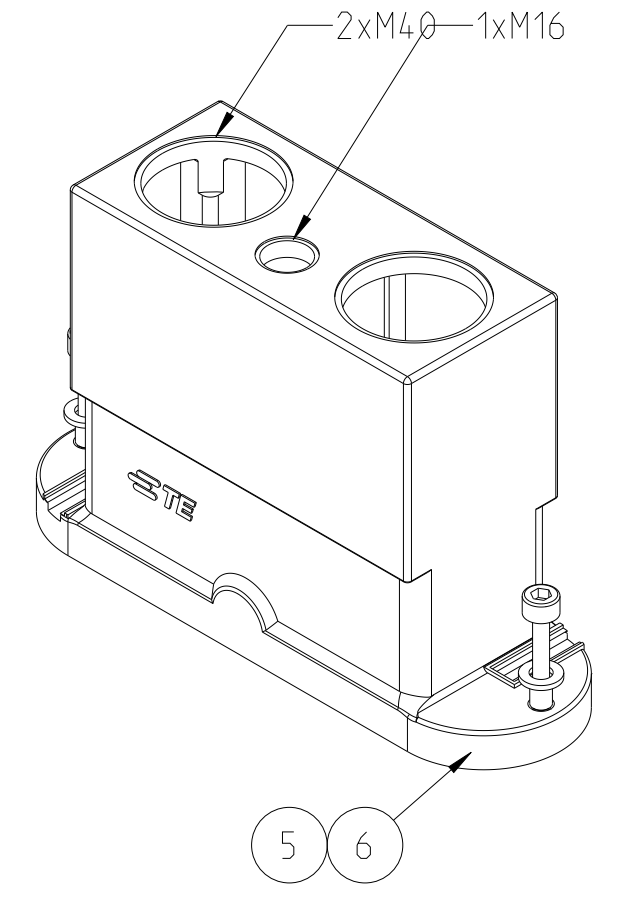
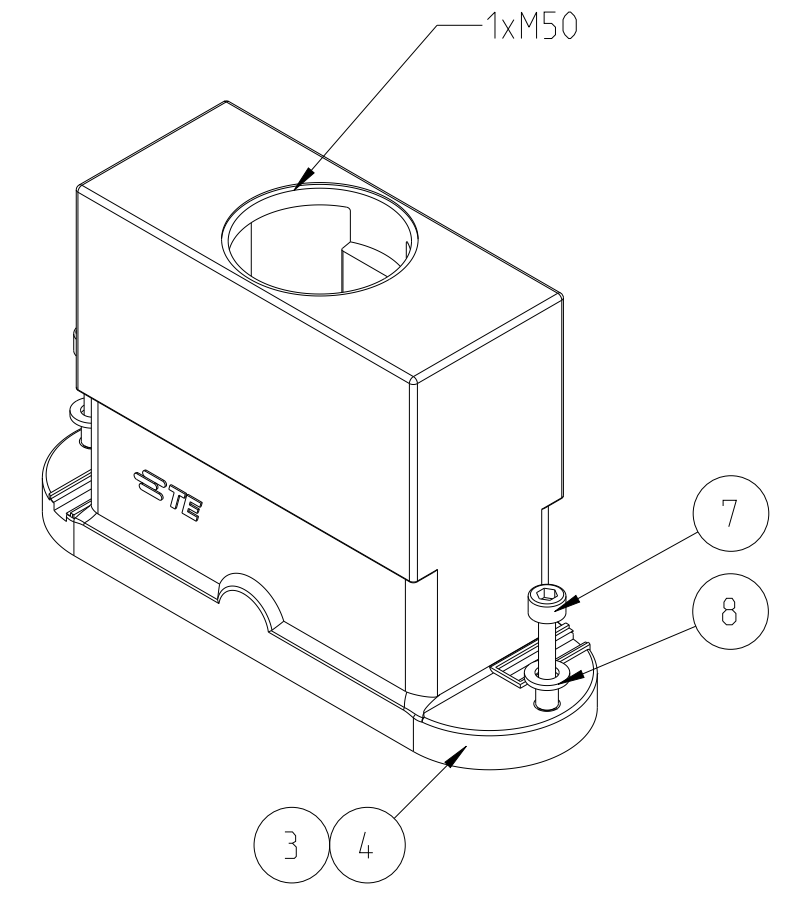
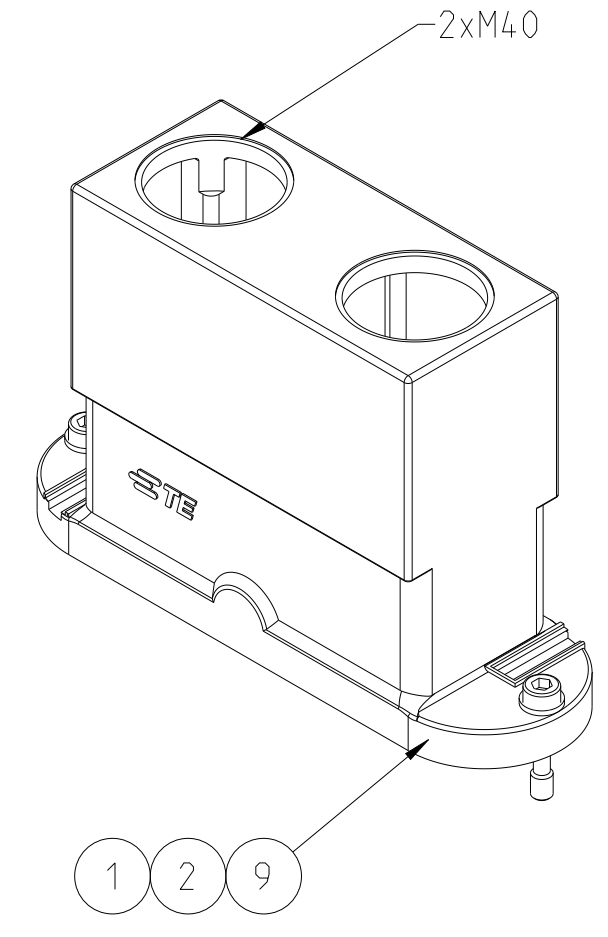
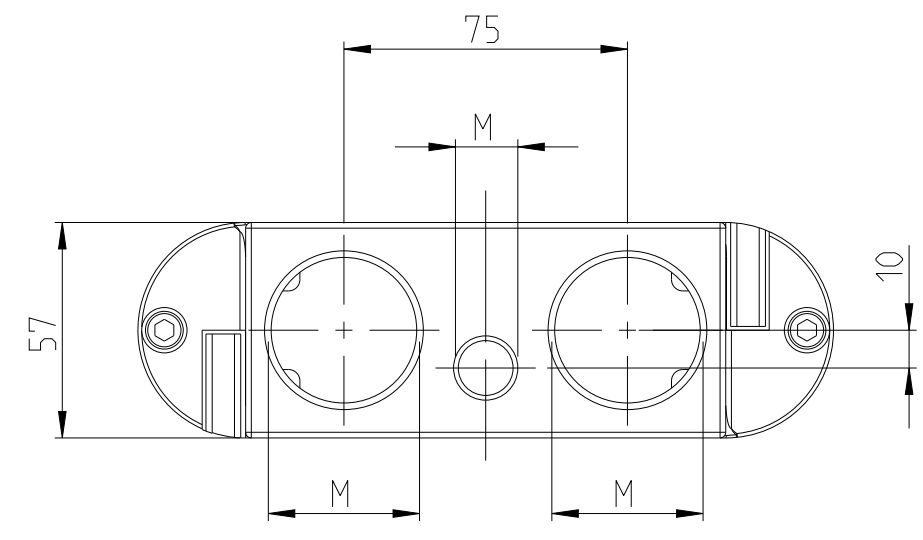
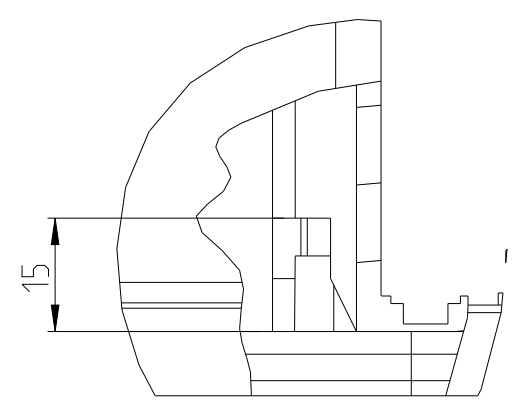


THIS DRAWING IS UNPUBLISHED. RELEASED FOR PUBLICATION 2006
 © COPYRIGHT 2006 BY - ALL RIGHTS RESERVED.

REVISIONS					
P	LTR	DESCRIPTION	DATE	DWN	APVD
B6		ECR-16-009335	08DEC2016	GCM	MKO
B7		ECR-17-014011	28MAR2018	SRG	MKO
B8		ECR-21-123464	07MAR2022	RK	JB
B9		ECR-22-152084	12SEP2022	RK	JB



DETAIL A (1:1)
ONLY PN 0-9



1-2	1-1	0-9	0+6	0-5	0-4	0-3	0-2	0-1	DESCRIPTION	MATERIAL	SURFACE	COLOR	NOTE	ITEM
									CONNECTOR HOUSING HIP-EMV-HF	ALU	CHROMIT AL TCP PASSIVATION	BLACK	WITHOUT LOGO / THREAD	13
									CONNECTOR HOUSING HIP-HF	ALU	HARD-COAT	BLACK	WITHOUT LOGO / THREAD	12
									CONNECTOR HOUSING EMV-K	ALU	CHROMIT AL TCP PASSIVATION	BLACK	2xM40	11
									PANE	STAINL. STEEL	VA	SILVER	B6.4	8
									SCREW	STAINL. STEEL	VA	SILVER	DIN EN ISO 4762-M6x30	7
									CONNECTOR HOUSING HIP-HF	ALU	HARD COAT	BLACK	2xM40+1xM16	6
									CONNECTOR HOUSING EMV-HF	ALU	CHROMIT AL TCP PASSIVATION	BLACK	2xM40+1xM16	5
									CONNECTOR HOUSING HIP-HF	ALU	HARD COAT	BLACK	1xM50	4
									CONNECTOR HOUSING EMV-HF	ALU	CHROMIT AL TCP PASSIVATION	BLACK	1xM50	3
									CONNECTOR HOUSING HIP-HF	ALU	HARD COAT	BLACK	2xM40	2
									CONNECTOR HOUSING EMV-HF	ALU	CHROMIT AL TCP PASSIVATION	BLACK	2xM40	1
									HF-EMV-K.8.STO.2.M40.G					X
									HF-HIP-K.8.STO.2.M40.G					X
									HF-EMV-K.8.STO.1.M50.G					X
									HF-HIP-K.8.STO.1.M50.G					X
									HF-EMV-K.8.STO.2.M40.G+1.M16.G					X
									HF-HIP-K.8.STO.2.M40.G+1.M16.G					X
									HF-EMV-K.8.STO.2.M40.G.S0					X
									HF-HIP-K.8.ST-N					X
									HF-EMV-K.8.ST-N					X

- NOTES
- 1 PN 0-9 ONLY BE USED WITH HF 8 CONTACTS AND ACCESSOIRES
 - 2 PACKAGING: 5 PIECES IN A CARTON

THIS DRAWING IS A CONTROLLED DOCUMENT.

DIMENSIONS: mm	TOLERANCES UNLESS OTHERWISE SPECIFIED:	DWN: G.WROBLEWSKI 24 JUN2010	 TE Connectivity
		CHK: A.ROESGEN 24 JUN2010	
		APVD: T.SCHNURPFEL 24 JUN2010	
		NAME: HOOD SERIES HF, SIZE 8	
MATERIAL: -	FINISH: -	PRODUCT SPEC: 108-74030	SIZE: A2
		APPLICATION SPEC: 114-74036	CAGE CODE: 00779
		WEIGHT: 0.683	DRAWING NO: C-1102839
		CUSTOMER DRAWING	RESTRICTED TO: -

SCALE: 1:1 SHEET: 1 OF 1 REV: B9