

FP

- Terminal Pins: Kinked
- Actuator Color: Yellow

Ultra-Miniature Pushbutton Switches

Washable

RoHS Compliant



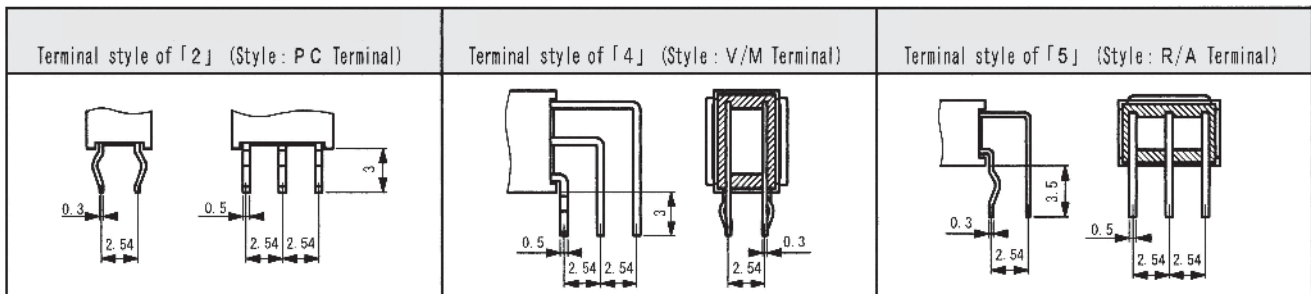
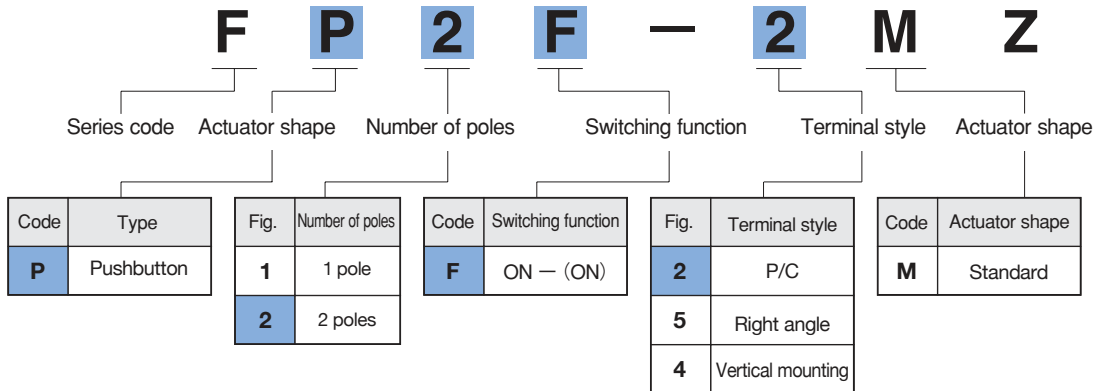
■ Features

1. Ultra-miniature pushbutton switch for high density mounting.
2. Washable.
3. Terminal pin pitch: 2.54 mm.
4. Independent detent mechanism ensures light operational feel.
5. Clip contact mechanism for long-term contact reliability.
6. Gold-plated contacts.

■ Specification

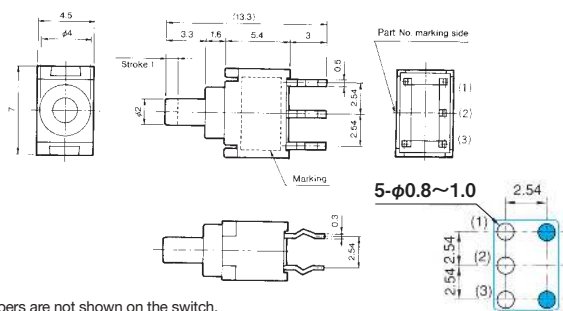
Rating	Max.	0.4VA (28VDC max.)
	Min.	1μA 20mVDC
Initial contact resistance	100mΩmax. (1.5mA 200μVAC)	
Dielectric strength	250V AC 1 minute	
Insulation resistance	500MΩ min. (250VDC)	
Electrical life	10,000 operations at max.rating, 30,000 operations at min.rating,	
Mechanical life	30,000 cycles	
Operating force	1.47 ± 0.98N	
Operating temperature range	-40~+85°C	
Storage temperature range	-40~+85°C	

■ Part Numbering



SPDT

PC



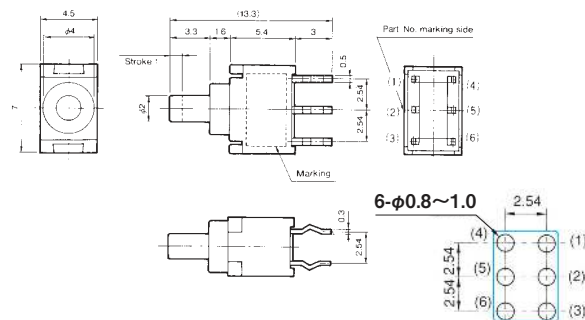
Terminal numbers are not shown on the switch.

Switching function		
Part No.		
FP1F-2M-Z	ON	(ON)
Connecting terminals	2-3	2-1

プリント基板孔あけ寸法図 (Top view)
PC Hole Layouts

DPDT

PC



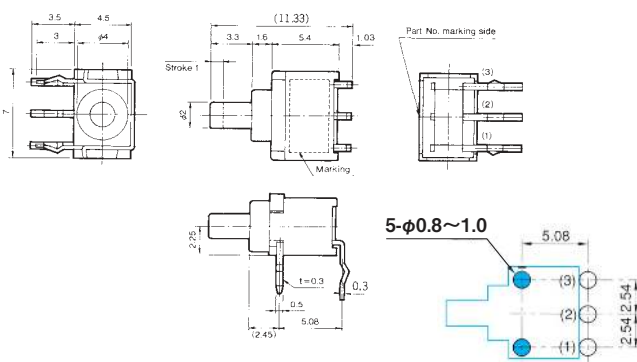
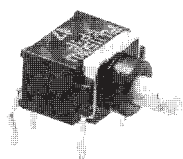
Terminal numbers are not shown on the switch.

Switching function		
Part No.		
★FP2F-2M-Z	ON	(ON)
Connecting terminals	2-3 5-6	2-1 5-4

プリント基板孔あけ寸法図 (Top view)
PC Hole Layouts

SPDT

R/A



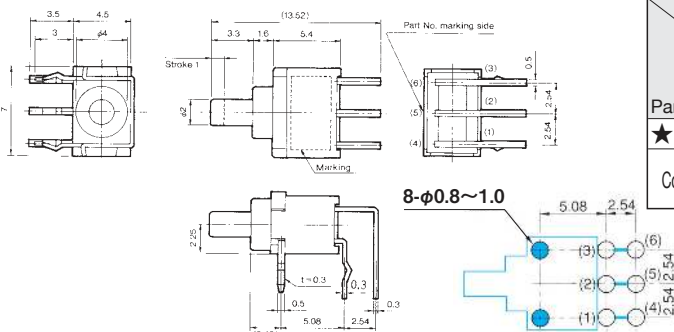
Terminal numbers are not shown on the switch.

Switching function		
Part No.		
FP1F-5M-Z	ON	(ON)
Connecting terminals	2-3	2-1

Top view
PC Hole Layouts

DPDT

R/A



Terminal numbers are not shown on the switch.

Switching function		
Part No.		
★FP2F-5M-Z	ON	(ON)
Connecting terminals	2-3 5-6	2-1 5-4

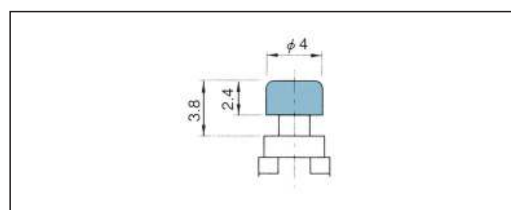
PC Hole Layouts

Optional Accessories

《Sold separately》

Part Name	Dimension	Color	Part Number
Color Cap	 ABS resin	White	140000481453
		Red	140000481452
		Black	140000481451
		Gray	140000481450

Color Cap Mounting



:Optional Accessories.

The blue line shows the outline of the switch.

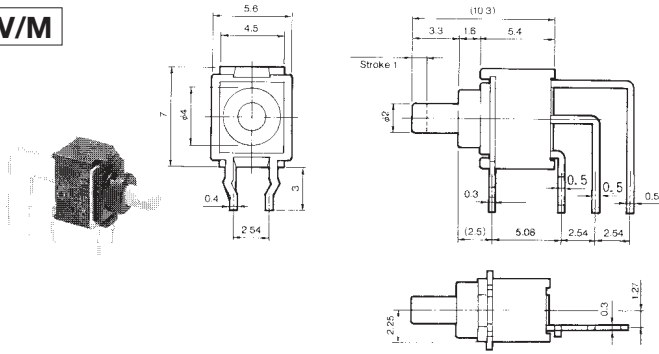
(ON) : Momentary.

★ : Made to order products.

FP

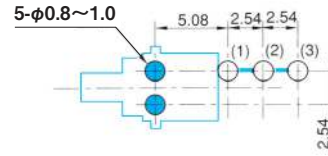
SPDT

V/M



Terminal numbers are not shown on the switch.

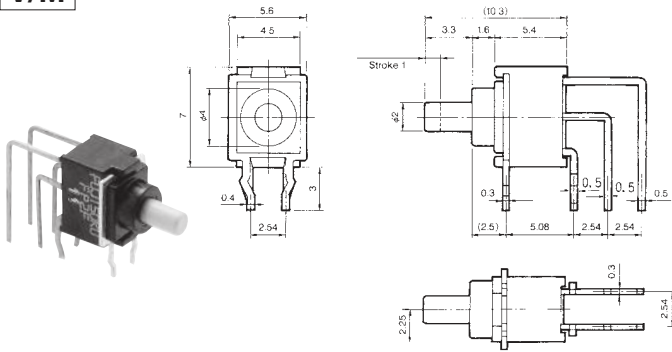
Switching function		
Part No.	ON	(ON)
FP1F-4M-Z	ON	(ON)
Connecting terminals	2-3	2-1



(Top view)
PC Hole Layouts

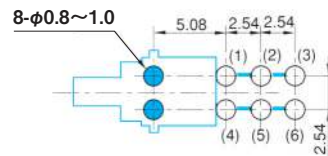
DPDT

V/M



Terminal numbers are not shown on the switch.

Switching function		
Part No.	ON	(ON)
★FP2F-4M-Z	ON	(ON)
Connecting terminals	2-3 5-6	2-1 5-4



(Top view)
PC Hole Layouts

■ Handling Precautions (FP, FT, FL)

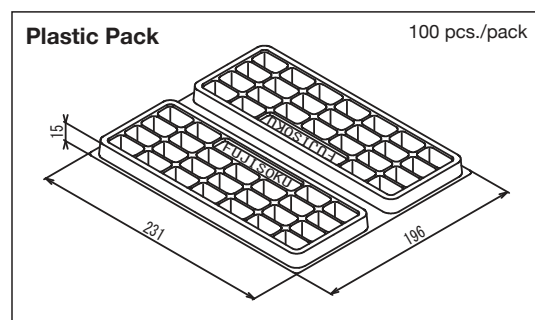
1. Soldering Specifications

- (1) Manual Soldering
 - Device : Soldering iron
 - 380°C, Max.; 3 seconds, Max.
- (2) Auto soldering
 - Device : Jet wave type or dip type
 - 275°C, Max.; 6 seconds, Max.
 - Pre-heating should be done at temperatures from 80 to 120°C and within 120 seconds.
- (3) When soldering two or more terminals to the common land, use solder resist to solder them independently.

2. Flux Cleaning

- (1) Solvents : Fluorine or Alcohol type
- (2) Cleaning after soldering should be done after the PC board is exposed to room temperature (30°C or below) for 1 to 2 hours.
- (3) Do not use ultrasonic cleaning.

■ Packaging Specifications



The blue line shows the outline of the switch.

(ON) : Momentary.

★ : Made to order products.