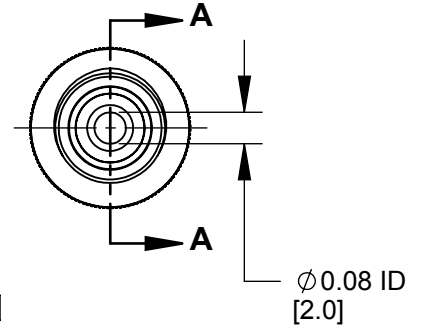
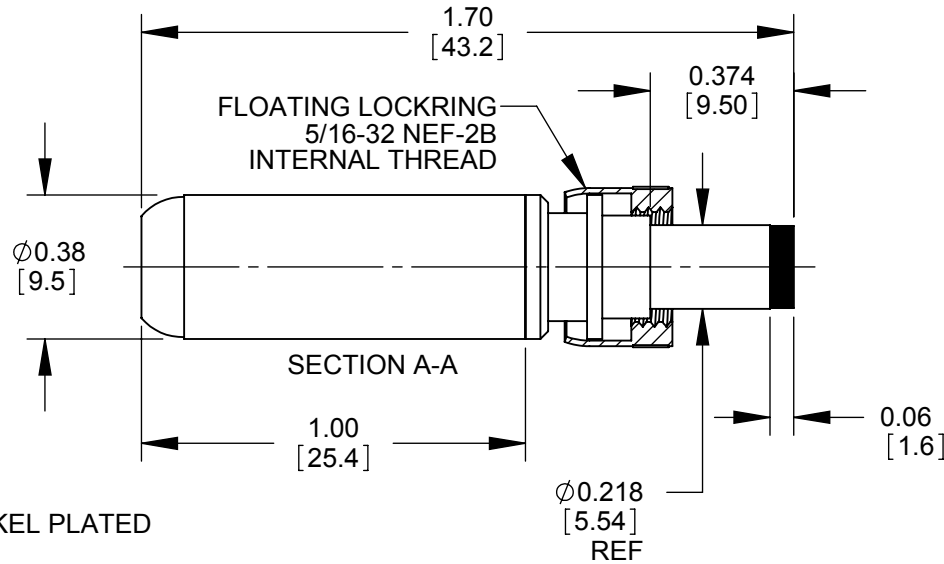
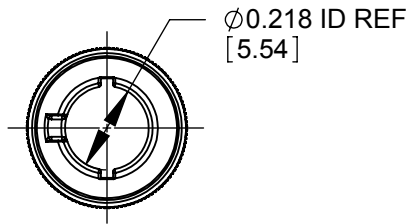


PART NUMBER	HANDLE COLOR
S760KH	BLACK
S765KH	RED



NOTES:

1. MATERIALS:
 CONDUCTORS, LOCKRING - BRASS, NICKEL PLATED
 TERMINALS - BRASS, TIN PLATED
 INSULATORS, HANDLE - THERMOPLASTIC
2. THIS PRODUCT IS RoHS COMPLIANT

CUSTOMER DRAWING

					THIS DRAWING DESCRIBES A DESIGN CONSIDERED PROPRIETARY IN NATURE, DEVELOPED AND MANUFACTURED BY SWITCHCRAFT INC. AND IS RELEASED ON A CONFIDENTIAL BASIS FOR IDENTIFICATION PURPOSES ONLY.					
					SIZE	WIDTH	MULT	LBS/M	TEMPER	
					UNLESS OTHERWISE SPECIFIED			FINISH		
					1. ALL DIMENSIONS IN INCHES [mm]			MATERIAL		
					- TWO PLACE DECIMALS ±0.02 [0.5]			SPEC No.		
					- THREE PLACE DECIMALS ±0.005 [0.13]			SCALE		
					FIRST USED ON			2:1		
A	27941	09/06/17	PC	TJK	DATE DRAWN	BY	CHKD	APVD	Switchcraft®	
REV	ECO NUMBER	DATE	BY	APVD	6/27/16	PNK	PNK	SRC		
REVISIONS					DO NOT SCALE DRAWING					PART No. S760KH-S765KH
					NAME $\phi 0.08$ [2.0]mm x 0.374 LONG HT POWER PLUG W/LOCKRING, RoHS					