

# PSR-ESS-M0-H110 - Actuator

1221757

<https://www.phoenixcontact.com/pc/products/1221757>

Please be informed that the data shown in this PDF document is generated from our online catalog. Please find the complete data in the user documentation. Our general terms of use for downloads are valid.



Actuator with anti-lock collar for modular emergency stop switches, for combination with module holder and contact module as a functional unit, panel installation, bayonet lock

## Product description

Phoenix Contact emergency stop switches are electromechanical switching devices with a safety function. They are used to safely shut down or stop machines and systems in order to prevent or minimize personal injury and property damage. The portfolio includes a modular system as well as a preconfigured solution. The modular emergency stop switch is comprised of the following components: – PSR-ESS-M0-H100 /...110 / ...120 actuator – PSR-ESS-ACC-CB1-C... module holder – PSR-ESS-ACC-CB1-NC-SC or PSR-ESS-ACC-CB1-SM-SC safe contact module Further contact modules can be combined if required.

## Your advantages

- Modular system allows an efficient solution for individual applications
- Bayonet lock allows tool-free connection with the actuator
- Rapid on-site diagnostics with color-coded switching position indicator

## Commercial data

Item number	1221757
Packing unit	1 pc
Minimum order quantity	1 pc
Product key	DNA621
GTIN	4063151310875
Weight per piece (including packing)	61.2 g
Weight per piece (excluding packing)	60.8 g
Customs tariff number	85365080
Country of origin	DE

# PSR-ESS-M0-H110 - Actuator

1221757

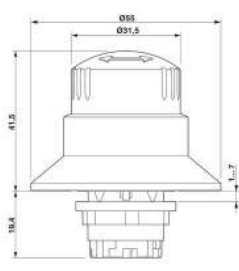
<https://www.phoenixcontact.com/pc/products/1221757>

## Technical data

### Product properties

Product type	Actuator
Product family	Modular emergency stop switches

### Dimensions

Dimensional drawing	
Depth	60.9 mm
Diameter	55 mm

### Material specifications

Flammability rating according to UL 94	V2
Housing material	PA

### Environmental and real-life conditions

#### Ambient conditions

Degree of protection	IP65/IP67/IP69K (with professional installation in the appropriate installation space)
Ambient temperature (operation)	-30 °C ... 70 °C
Ambient temperature (storage/transport)	-50 °C ... 85 °C
Maximum altitude	max. 2000 m (Above sea level)
Shock	15g / 11 ms, in accordance with IEC 60068-2-27
Vibration (operation)	10 Hz ... 500 Hz, 0.35 mm amplitude, 5g, in accordance with IEC 60068-2-6

### Mounting

Mounting type	Panel mount
Assembly instructions	Mounting nut torque: max. 2.5 Nm
Mounting position	any
Mounting hole diameter	22.30 mm

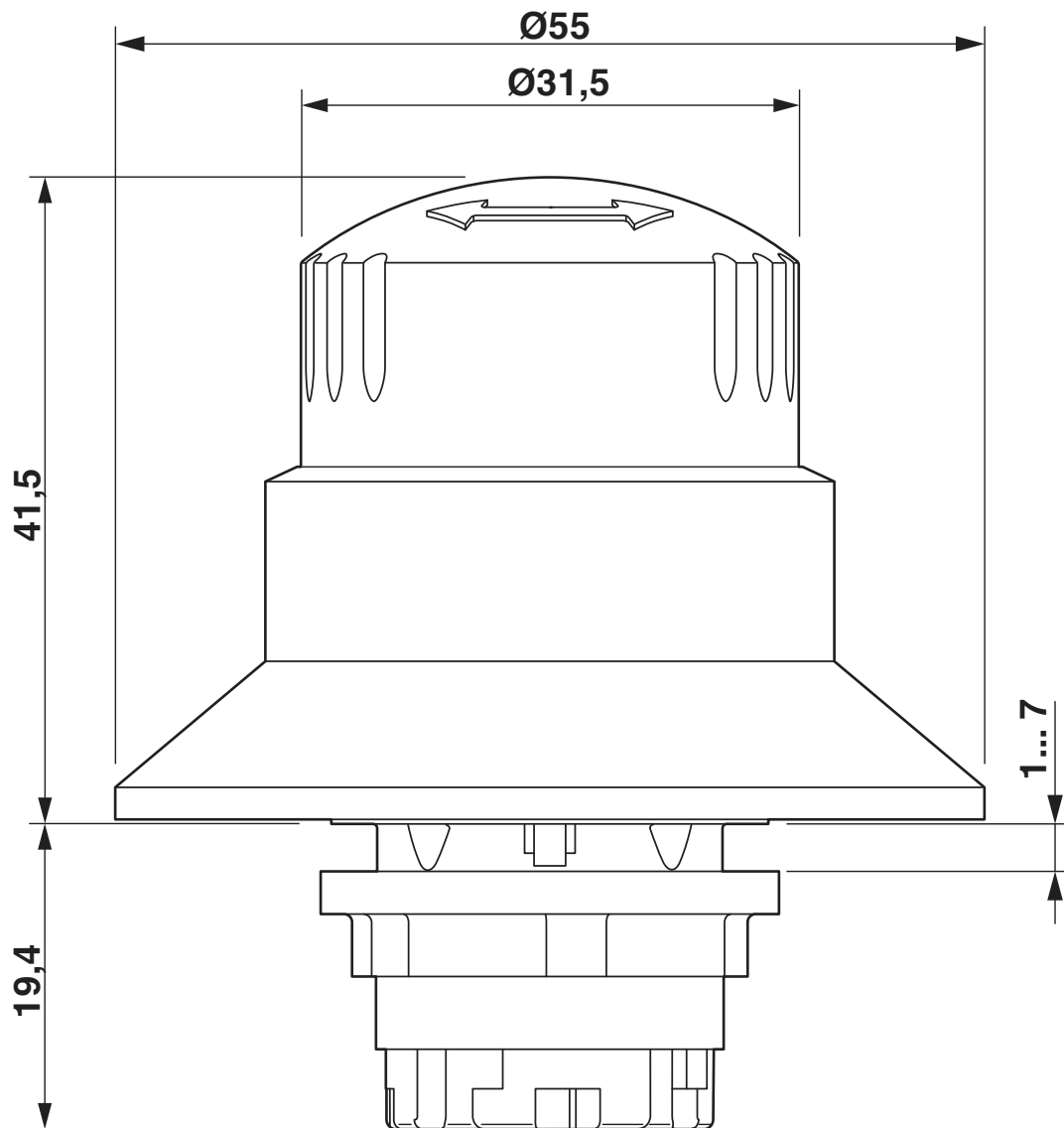
# PSR-ESS-M0-H110 - Actuator

1221757

<https://www.phoenixcontact.com/pc/products/1221757>

## Drawings

Dimensional drawing



Dimensions (in mm)

1221757

<https://www.phoenixcontact.com/pc/products/1221757>

## Approvals

To download certificates, visit the product detail page: <https://www.phoenixcontact.com/pc/products/1221757>



**UL Recognized**

Approval ID: FILE E 519465



**UL Listed**

Approval ID: FILE E 140324



**cUL Listed**

Approval ID: FILE E 140324

**Functional Safety**

Approval ID: B 029429 0031

**cULus Listed**

# PSR-ESS-M0-H110 - Actuator



1221757

<https://www.phoenixcontact.com/pc/products/1221757>

## Classifications

### ECLASS

ECLASS-11.0	27371212
ECLASS-12.0	27371212
ECLASS-13.0	27371212

### ETIM

ETIM 8.0	EC001038
----------	----------

### UNSPSC

UNSPSC 21.0	39122200
-------------	----------

# PSR-ESS-M0-H110 - Actuator



1221757

<https://www.phoenixcontact.com/pc/products/1221757>

## Environmental product compliance

China RoHS	Environmentally friendly use period: unlimited = EFUP-e
	No hazardous substances above threshold values

# PSR-ESS-M0-H110 - Actuator

1221757

<https://www.phoenixcontact.com/pc/products/1221757>



## Accessories

### PSR-ESS-ACC-CB1-C3 - Module holder

1221747

<https://www.phoenixcontact.com/pc/products/1221747>



Module holder for modular emergency stop switches, connects the contact block and actuator with bayonet lock, suitable for 3 elements

---

### PSR-ESS-ACC-CB1-C5 - Module holder

1221745

<https://www.phoenixcontact.com/pc/products/1221745>



Module holder for modular emergency stop switches, connects the contact block and actuator with bayonet lock, suitable for 5 elements

# PSR-ESS-M0-H110 - Actuator

1221757

<https://www.phoenixcontact.com/pc/products/1221757>



## PSR-ESS-ACC-CB1-NC-SC - Contact module

1221752

<https://www.phoenixcontact.com/pc/products/1221752>



Contact module for modular emergency stop switches with force-guided N/C contact for safety-related shutdown, in conjunction with appropriate evaluation unit suitable for use up to PL e (EN ISO 13849-1), SIL 3 (EN IEC 62061)

---

## PSR-ESS-ACC-CB1-NO-SC - Contact module

1221751

<https://www.phoenixcontact.com/pc/products/1221751>



Contact module for modular emergency stop switches with N/O contact for feedback function through actuation of the emergency stop switch



# PSR-ESS-M0-H110 - Actuator

1221757

<https://www.phoenixcontact.com/pc/products/1221757>



## PSR-ESS-ACC-CB1-SM-SC - Contact module

1221749

<https://www.phoenixcontact.com/pc/products/1221749>



Contact module for modular emergency stop switches with force-guided N/C contact for safety-related shutdown, N/O contact for assembly monitoring, in conjunction with appropriate evaluation unit suitable for use up to PL e (EN ISO 13849-1), SIL 3 (EN IEC 62061)

---

Phoenix Contact 2023 © - all rights reserved

<https://www.phoenixcontact.com>

PHOENIX CONTACT GmbH & Co. KG

Flachsmarktstraße 8

D-32825 Blomberg

+49 (0) 5235-3 00

[info@phoenixcontact.com](mailto:info@phoenixcontact.com)