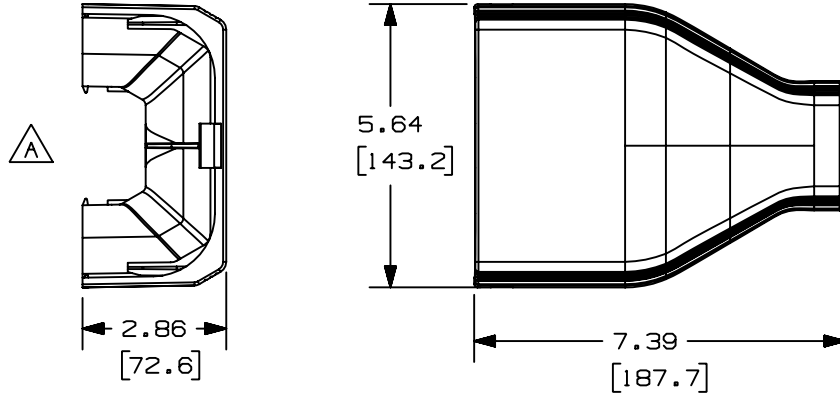


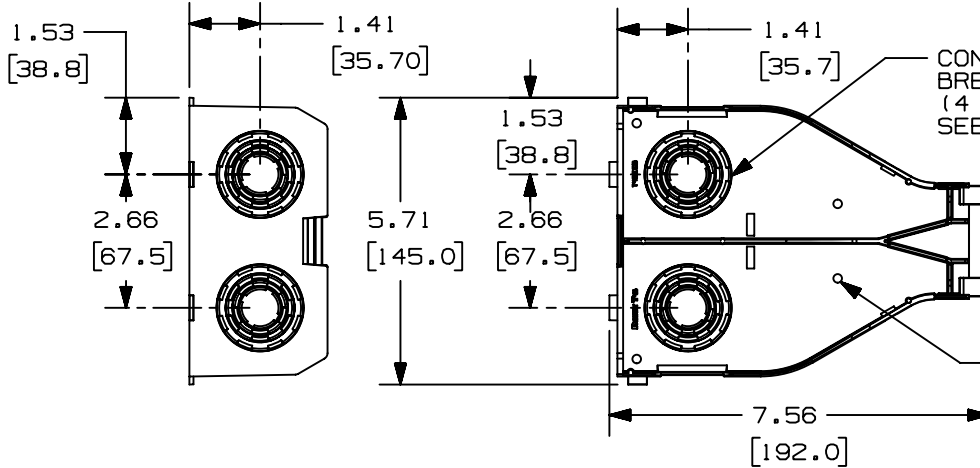
THIS COPY IS PROVIDED ON A RESTRICTED BASIS AND IS NOT TO BE USED IN ANY WAY DETRIMENTAL TO THE INTERESTS OF PANDUIT CORP.



| PANDUIT P/N | WEIGHT |
|-------------|----------------------------------|
| T45EE | 8.0 LB/10 PCS (3635 g/10 PCS) |

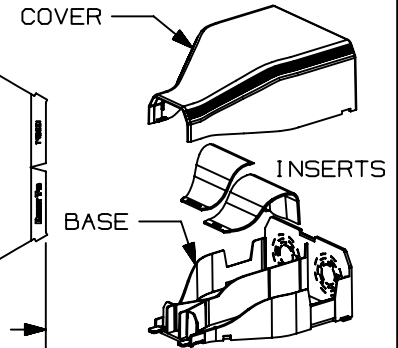
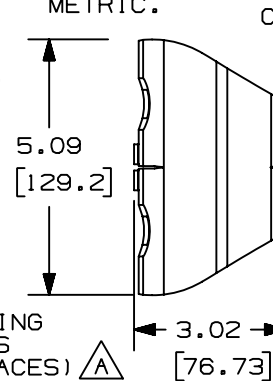
NOTES:

1. SEE CURRENT CATALOG FOR ADDITIONAL PART SUFFIXES TO INDICATE COLOR AND OR PACKAGE QUANTITY.
2. CONCENTRIC BREAKOUTS TO ACCOMODATE CONDUIT SIZES OF 1/2", 3/4", 1, AND 1 1/4" DIAMETERS.
3. BREAKOUTS FOR MAINTAINING POWER AND DATA ENTRY SEPARATION.
4. THIS PRODUCT INTENDED TO BE USED WITH PANDUIT TYPE T-45 RACEWAY.
5. DIMENSIONS IN PARENTHESES ARE IN METRIC.



CONCENTRIC BREAKOUTS (4 PLACES) SEE NOTE 2

MOUNTING HOLES (4 PLACES) A



CAD FILENAME/LAYERS D36975EG_DC_T45EE_01A.PRT

PANDUIT CORP. TINLEY PARK, ILLINOIS
T-45 ENTRANCE END FITTING (T45EE)
CUSTOMER DRAWING

UNLESS OTHERWISE SPECIFIED, DIMENSIONAL TOLERANCES ARE:
(.X) ± (.XXX) ± .005
(.XX) ± .010 ANGLES ± 1°

UNLESS OTHERWISE SPECIFIED, ALL DIMENSIONS ARE GIVEN IN INCHES, THIRD ANGLE PROJECTION.

| REV | DATE | BY | CHK | DESCRIPTION | ECN | R | CUST | SUP |
|-----|----------|------|-----|---|----------|------|------|-----|
| 1 | 02-13-04 | JBN | PM | A. REVISED DRAWING LAYOUT; ADDED VIEW AND DIMENSION | 36975-71 | RGRO | RGRO | |
| R | 11-29-99 | RABO | HIW | RELEASED TO PRODUCTION | 36975-71 | HIW | HIW | |

DRAWN BY RABO
DATE 11-29-99
CHK'D KJF

MAT'L: SEE NOTES ABOVE

SCALE FULL
DRAWING NO. 36975-71
DWG SIZE A