

**MATERIALS & SPECIFICATIONS**

|          |            |     |       |          |     |
|----------|------------|-----|-------|----------|-----|
| PART NO. | A22040-001 | REV | ECO   | DATE     | APP |
|          |            | B   | 96708 | 05-06-10 | TLM |

**INSULATOR:**  
LIQUID CRYSTAL POLYMER (LCP) PER ASTM D5138.

**CONTACT:**  
BERYLLIUM COPPER PER ASTM B194, C17200. GOLD PLATED PER ASTM B488, (HARD GOLD) TYPE II CODE C CLASS 1.27.

**TERMINATION:**  
26 AWG (7-34) TYPE E, PER NEMA HP3, COLOR CODED PER TABLE.

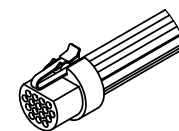
**LATCH SPRING:**  
BERYLLIUM COPPER PER ASTM B194  
NICKEL PLATE PER AMS-C-26074.

**CURRENT CAPACITY:**  
3 AMP MAX.

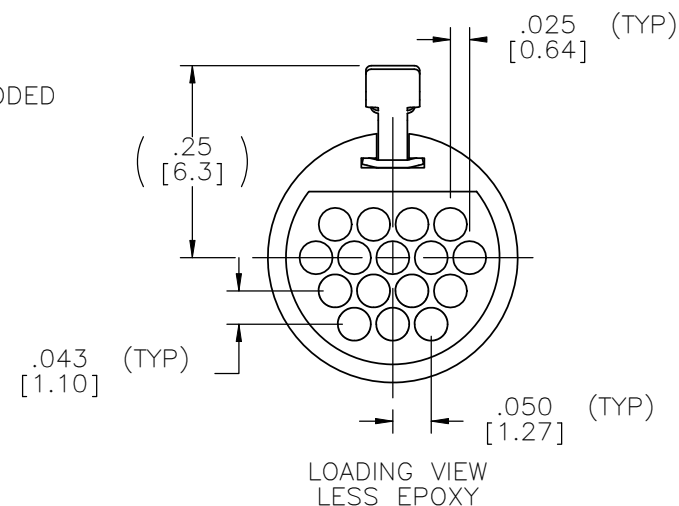
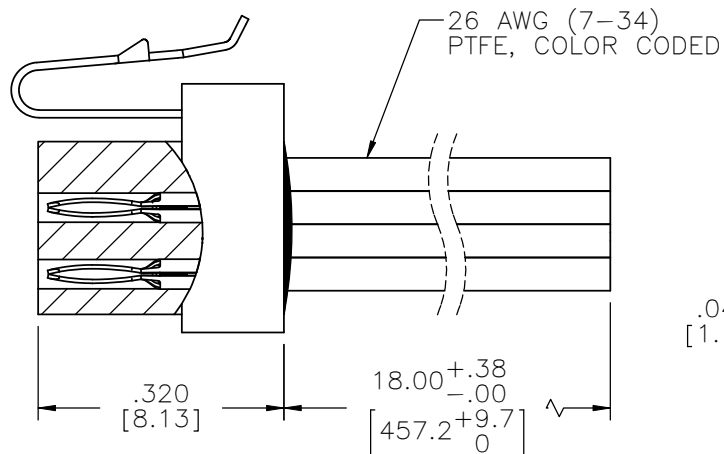
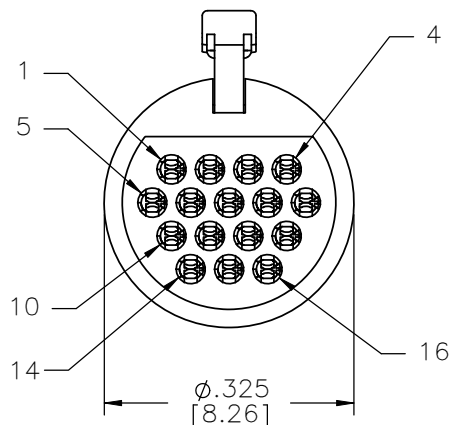
**CONTACT RESISTANCE:**  
26 MILLIOHMS (65mV) MAX @ 2.5 AMPS.

**PERFORMANCE:**  
PRODUCT FAMILY TESTED TO AND PASSED THE PERFORMANCE SPECIFICATIONS OF TABLE VII OF MIL-DTL-83513.

| PIN # | COLOR  | PIN# | COLOR   |
|-------|--------|------|---------|
| 1     | BLACK  | 9    | GRAY    |
| 2     | BROWN  | 10   | WHITE   |
| 3     | RED    | 11   | WHT/BLK |
| 4     | ORANGE | 12   | WHT/BRN |
| 5     | YELLOW | 13   | WHT/RED |
| 6     | GREEN  | 14   | WHT/ORN |
| 7     | BLUE   | 15   | WHT/YEL |
| 8     | VIOLET | 16   | WHT/GRN |



ACTUAL SIZE  
EXCLUDING WIRE LENGTH



REF: OMNETICS

|                  |                        |  |                    |  |                        |                   |
|------------------|------------------------|--|--------------------|--|------------------------|-------------------|
| MCP<br>SLDW      | THIRD ANGLE            | THIS DRAWING CONTAINS CONFIDENTIAL AND PROPRIETARY INFORMATION WHICH IS THE PROPERTY OF OMNETICS CONNECTOR CORP. THIS DOCUMENT MAY NOT, IN WHOLE OR IN PART, BE DUPLICATED, OR DISCLOSED FOR ANY PURPOSE, WITHOUT WRITTEN PERMISSION FROM OMNETICS CONNECTOR CORP. |                    | <h1>OMNETICS</h1> <b>CONNECTOR CORPORATION</b><br>7260 COMMERCE CIRCLE EAST<br>MINNEAPOLIS, MN 55432<br>WWW.OMNETICS.COM | CAGE CODE <b>61873</b> |                   |
|                  | -TOLERANCES-           | DFTM. TLM  | DATE               |  | TITLE:                 | DWG NO.           |
|                  | UNLESS OTHERWISE NOTED | CHK'D.   | DATE               |  | (16) PIN MALE          | <b>A22040-001</b> |
|                  | DIMENSIONS IN INCHES   | APP'D.   | DATE               |  | MICRO CIRCULAR         | SHEET 1 OF 1      |
| 2 PL DEC ± .01   |                        |  | CONNECTOR W/ LATCH | REV  |                        |                   |
| 3 PL DEC ± .005  |                        |  |                    | B  |                        |                   |
| 4 PL DEC ± .0005 |                        |  |                    | SCALE: 4:1   |                        |                   |
| ANGLES ± 1°      |                        |  |                    |  |                        |                   |