

THIS DRAWING IS UNPUBLISHED.

RELEASED FOR PUBLICATION

ALL RIGHTS RESERVED.

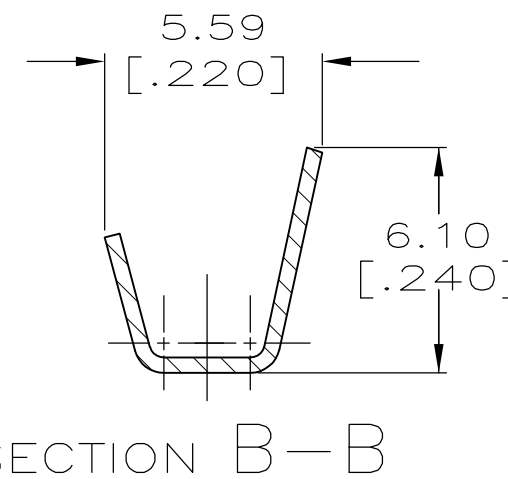
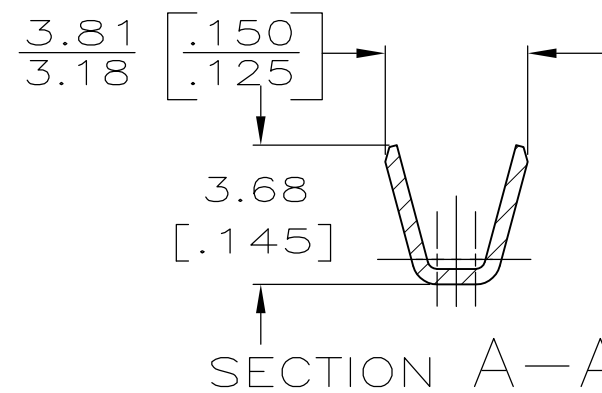
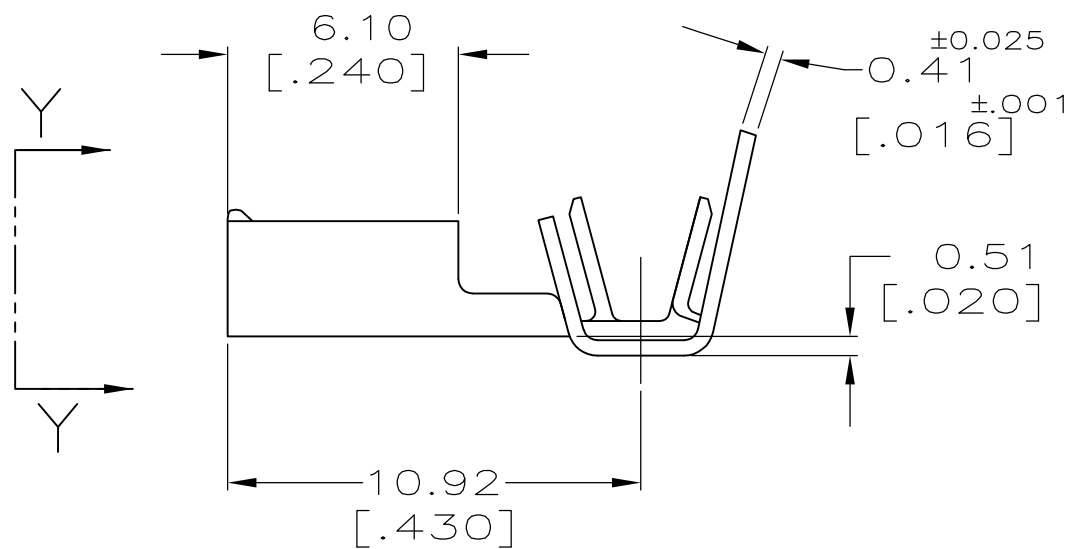
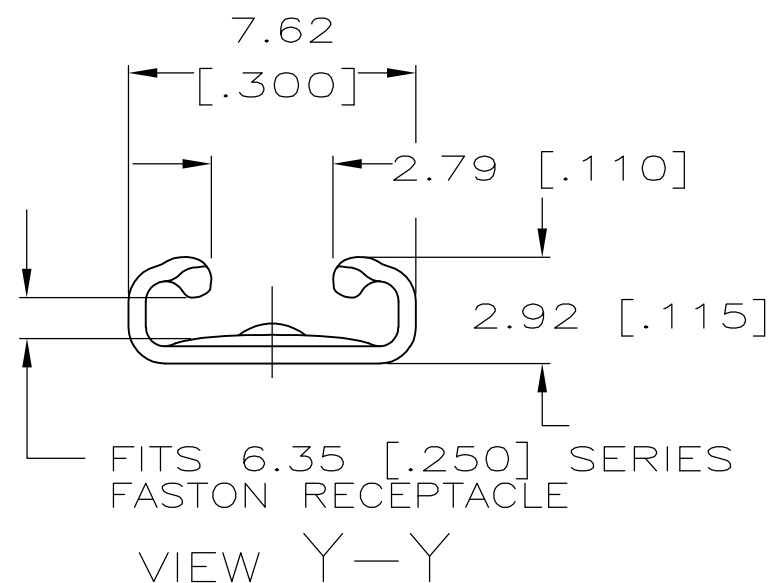
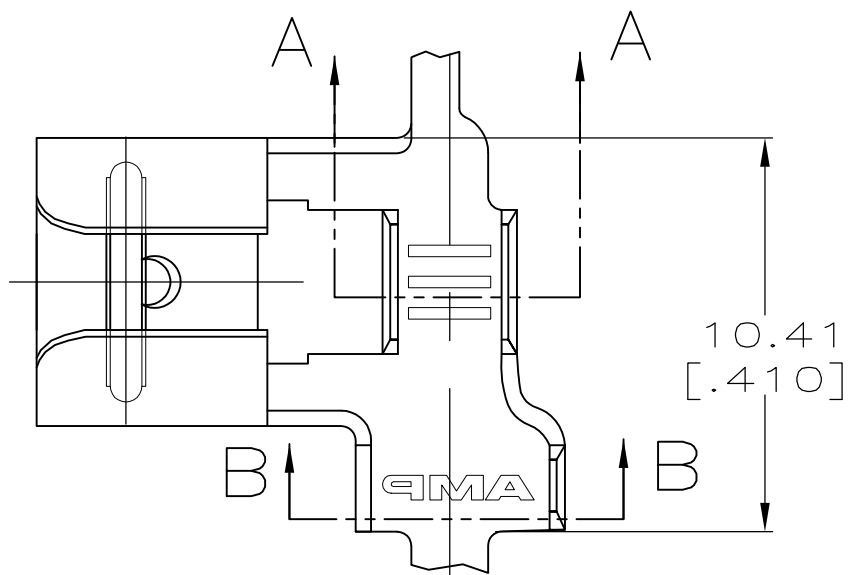
LOC  
AF

DIST  
50


REVISIONS

P	LTR	DESCRIPTION	DATE	DWN	APVD
	M	REVISED PER ECR-12-013459	27NOV2012	KH	PD

1 CONTINUOUS STRIP ON REELS.



TIN	2.79-4.06	0.8-2.0mm <sup>2</sup>	0.81	63096-2
-	[.110-.160] DIA	[18-14] AWG	[.032]	63096-1
FINISH	INSULATION RANGE	WIRE SIZE	MATING TAB THK ±0.025 [.001]	PART NO

THIS DRAWING IS A CONTROLLED DOCUMENT.		DWN JR RUTH 4/15/91	 <b>TE Connectivity</b>  RECEPTACLE, FASTON, FLAG, 6.35 [.250] SERIES				
DIMENSIONS: mm [INCHES]		CHK MS FEHER 4/15/91					
TOLERANCES UNLESS OTHERWISE SPECIFIED:		APVD C MEYERS 4/15/91					
0 PLC ± - 1 PLC ± - 2 PLC ± - 3 PLC ± 0.38 [.015] 4 PLC ± - ANGLES ± -		PRODUCT SPEC -					
MATERIAL BRASS	FINISH SEE TABLE	APPLICATION SPEC -	NAME	SIZE A3	CAGE CODE 00779	DRAWING NO C-63096	RESTRICTED TO -
CUSTOMER DRAWING			WEIGHT -	SCALE 5:1	SHEET 1 OF 1	REV M	