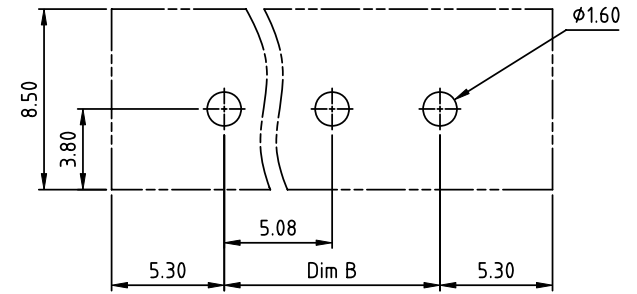
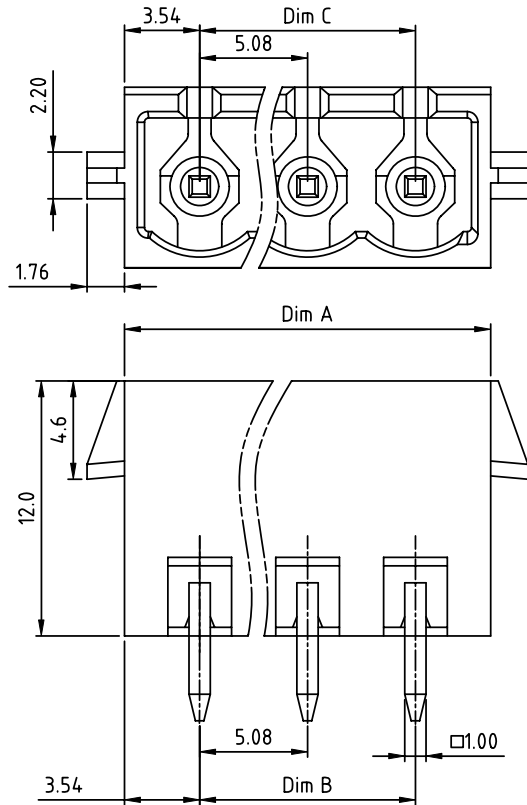


PRODUCT NUMBER	PITCH
OQxx54x003J0G	5.08 mm



RECOMMENDED P.C.B LAYOUT
TOP VIEW

Material:

- Item ① Male contact pin: Copper Tin plated
- Item ② Terminal housing: Thermoplastic (UL94V-0)

- Electrical: cULus /VDE /TUV
- Voltage rating: 300V/300V/300V
 - Current rating: 20A/20A/20A
 - Withstanding Voltage: 1.6 KV/2.5KV/2.5KV
 - Operating temperature: -40°C to +115°C
 - Soldering temperature: 260°C±5°C/5 Sec
 - Safety Approval:

DIMENSION

Dim A	$N \times 5.08 + 2.0$
Dim B & C	$(N-1) \times 5.08$
N = Number of poles	
Poles	Tolerance
2-6p	±0.15
7-12p	±0.20
13-18p	±0.30
19-24p	±0.40

PART NO.: OQ xx 5 4 x 0 03J0 G

No. of poles	0	Black (RAL9005)	RoHS compliant (lead<4%) In copper Alloy
02	2 poles	2 Red (RAL3001/D)	
03	3 poles	3 Orange(RAL2011/P)	
...	...	4 Yellow(RAL1018/A)	
24	24 poles	5 Green(RAL6018/T)	
		6 Blue (RAL5015/A)	
		8 Grey(RAL7035/D)	
		9 White(RAL1102)	
		C Green(RAL6018/U)	

mat'l. code	surface ASME Y14.5	tolerance ASME Y14.5	projection 	product family TERMINAL BLOCK
ltr	ecn	no	dr	date
			angles	$X \pm 0.5$
			fin	$X.X \pm 0.3$
			$X^{\circ} \pm 1^{\circ}$	$X.XX \pm 0.1$
dr	HANKE FENG	040314	scale	MM
enr	HANKE FENG	040314		title TERMINAL BLOCK
chr	SHI JUN	040314		PLUGGABLE SOCKET, WITH LATCH, VERTICAL
appd	SHI JUN	040314		dwg no OQxx54x003J0G
sheet index	revision	A	sheet 1 of 1	size A4
	sheet	1	type	CUSTOMER Drawing