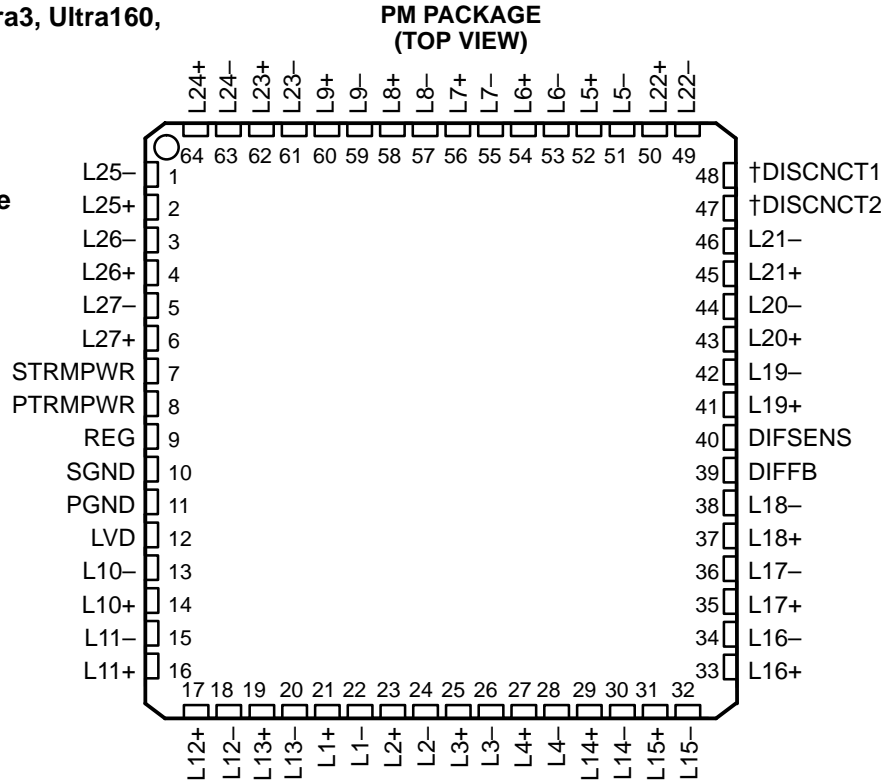


- SCSI SPI-2, SPI-3, Ultra2, Ultra3, Ultra160, Ultra320 SCSI Compliance
- Smallest Footprint
- Lowest Channel Capacitance, 2 pF
- Less than 0.5-pF Capacitance Differential Between Pairs
- 2.7 V to 5.25 V Operation
- Differential Failsafe Bias
- Built-in SPI-3 Mode Change/Filter Delay
- 64-Pin Low Profile QFP



†For the UCC5687, Pin 47 is DISCNCT1 and Pin 48 is DISCNCT2.

**description**

The UCC5686 is a twenty-seven line active terminator for low-voltage-differential (LVD) SCSI networks. This LVD SCSI-only design allows the user to reach peak bus performance, while reducing system cost. The device is designed as an active Y-terminator to improve the frequency response of the LVD SCSI Bus. Designed with a 2-pF (typical) channel capacitance, the UCC5686 allows for minimal bus loading for a maximum number of peripherals. With the UCC5686, the designer is able to comply with the Ultra2, Ultra3, Ultra160, and Ultra320 SCSI specifications. The UCC5686 also provides a much-needed system migration path for the ever improving SCSI system standards.

This device is available in the 64-pin low-profile QFP package for ease of layout use.

Single-ended (SE) and high-voltage differential (HVD) SCSI drivers are not supported.

**AVAILABLE OPTIONS**

T <sub>A</sub>	DISCONNECT STATUS	PACKAGED DEVICES†
		LOW PROFILE QFP (PM)
0°C to 70°C	REGULAR	UCC5686PM
	REVERSE	UCC5687PM

† The PM package is available taped and reeled. Add TR suffix to device type (e.g. UCC5686PMTR) to order quantities of 1000 devices per reel.



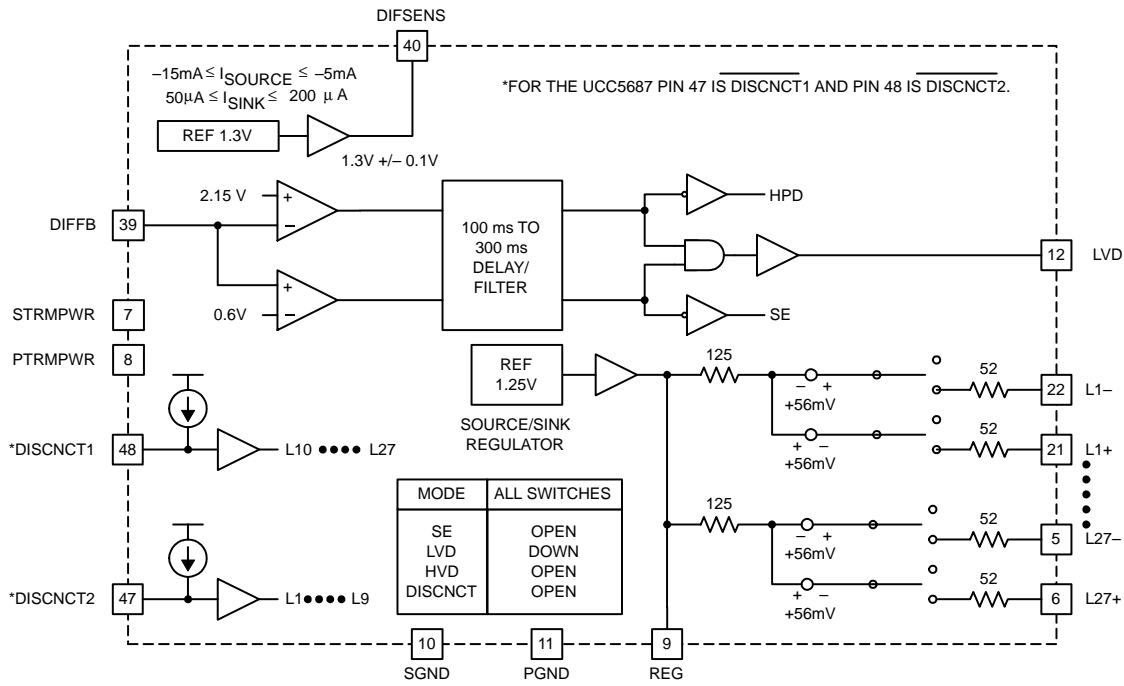
Please be aware that an important notice concerning availability, standard warranty, and use in critical applications of Texas Instruments semiconductor products and disclaimers thereto appears at the end of this data sheet.

# UCC5686, UCC5687

## 27-LINE 3-V – 5-V LVD TERMINATOR FOR WIDE ULTRA2, ULTRA3, ULTRA160, AND ULTRA320 SCSI WITH INTEGRATED SPI-3 DELAY

SLUS459B – OCTOBER 2000 – REVISED APRIL 2001

### block diagram



UDG-00123

### absolute maximum ratings over operating free-air temperature range (unless otherwise noted)†‡

Input voltage $V_{IN}$ (STRMPWR, PTRMPWR)	6 V
Signal line input voltage	0 V to 5 V
Regulator output current	0.75 A
Storage temperature range, $T_{stg}$	-55°C to 150°C
Operating virtual junction temperature range, $T_J$	-55°C to 150°C
Lead temperature (soldering, 10 seconds)	300°C

† Stresses beyond those listed under "absolute maximum ratings" may cause permanent damage to the device. These are stress ratings only, and functional operation of the device at these or any other conditions beyond those indicated under "recommended operating conditions" is not implied. Exposure to absolute-maximum-rated conditions for extended periods may affect device reliability.

‡ Unless otherwise indicated, voltages are reference to ground and currents are positive into and negative out of the specified terminals. Consult Packaging Section of the *Interface Products Data Book* (TI Literature Number SLUD002) for thermal limitations and considerations of packages. All voltages are referenced to GND.

**UCC5686, UCC5687**  
**27-LINE 3-V – 5-V LVD TERMINATOR FOR WIDE ULTRA2, ULTRA3,  
 ULTRA160, AND ULTRA320 SCSI WITH INTEGRATED SPI-3 DELAY**

SLUS459B – OCTOBER 2000 – REVISED APRIL 2001

electrical characteristics over recommended operating free-air temperature range,  
 xTRMPWR = 2.7 V to 5.25 V, T<sub>A</sub> = 0°C to 70°C, DISCNCT1 = DISCNCT2 = 0 V for UCC5686,  
 DISCNCT1 = DISCNCT2 = open for UCC5687, T<sub>A</sub> = T<sub>J</sub>. (unless otherwise noted)

PARAMETER	TEST CONDITIONS	MIN	TYP	MAX	UNIT
<b>xTRMPWR Supply Current Section</b>					
xTRMPWR supply current	LVD mode			65	mA
	Disabled terminator			500	μA
<b>1.25 V Regulator Section</b>					
1.25 V regulator	0.5 V ≤ V <sub>CM</sub> ≤ 2.0 V, See Note 1	1.15	1.25	1.35	V
Regulator source current	V <sub>REG</sub> = 0 V		-300	-240	mA
Regulator sink current	V <sub>REG</sub> = 3.0 V	240	300		mA
<b>1.3 V (DIFSENS) Regulator Section</b>					
1.3 V regulator	-5mA ≤ I <sub>DIFSENS</sub> ≤ 50 μA	1.2	1.3	1.4	V
Short-circuit source current	V <sub>DIFSENS</sub> = 0 V	-5	-8	-15	mA
Short-circuit sink current	V <sub>DIFSENS</sub> = 2.75 V	50		200	μA
<b>Differential Termination Section (Applies to each line pair 1–27)</b>					
Differential bias voltage		100		125	mV
Differential impedance		100	105	110	Ω
Common-mode bias voltage	L+ and L– shorted together	1.15	1.25	1.35	V
Common-mode impedance	L+ and L– shorted together, See Note 2	110	140	165	Ω
<b>Disconnected Termination Section</b>					
Output leakage current			10	400	nA
Output capacitance	SE measurement to GND, See Note 3			3	pF
<b>Disconnect Control (DISCNCT1) or (DISCNCT2) and DIFFB Input Section</b>					
DISCNCT threshold voltage		0.8	1.3	2.0	V
DISCNCT input current	V <sub>DISCNCT</sub> = 0 V and 2.0 V	-30		-10	μA
DIFFB SE to LVD threshold voltage		0.5		0.7	V
DIFFB LVD to HPD threshold voltage		1.9		2.4	V
DIFFB Input current	0 V ≤ V <sub>DIFFB</sub> ≤ 2.75 V	-10		10	μA
<b>Low-Voltage Differential (LVD) Status Bit Section</b>					
Source current	V <sub>LOAD</sub> = 2.4 V		-6	-4	mA
Sink current	V <sub>LOAD</sub> = 0.4 V	2	5		mA
<b>Time Delay/Filter Section</b>					
Mode change delay	(See Note 4)	100	190	300	ms
<b>Thermal Shutdown Section</b>					
Thermal shutdown threshold	For increasing temperature	140	155	170	°C
Thermal shutdown hysteresis			10		°C

- NOTES: 1. V<sub>CM</sub> is applied to all L+ and L– lines simultaneously.  
 2.  $Z_{CM} = \frac{2.0\text{ V} - 0.5\text{ V}}{I_{VCM(max)} - I_{VCM(min)}}$ , V<sub>CM(max)</sub> = 2.0 V, V<sub>CM(min)</sub> = 0.5 V  
 3. Ensured by design, not production tested.  
 4. A new mode change can begin any time after a previous mode change has been detected.



## UCC5686, UCC5687

# 27-LINE 3-V – 5-V LVD TERMINATOR FOR WIDE ULTRA2, ULTRA3, ULTRA160, AND ULTRA320 SCSI WITH INTEGRATED SPI-3 DELAY

SLUS459B – OCTOBER 2000 – REVISED APRIL 2001

---

### pin descriptions

**STRMPWR:** 2.7 V to 5.25 V power supply for all circuitry except the 1.25-V regulator.

**SGND:** Ground reference for all circuitry except the 1.25-V regulator.

**PTRMPWR:** 2.7 V to 5.25 V power supply for the 1.25-V regulator.

**PGND:** Ground reference for the 1.25-V regulator.

**REG:** Output of the internal 1.25-V regulator; must be connected to a 4.7- $\mu$ F bypass capacitor and a high-frequency, low-ESR 0.01- $\mu$ F capacitor to GND.

**DIFSENS:** Drives the SCSI bus DIFF SENSE line to 1.3 V to detect what types of devices are tied to the bus.

**DIFFB:** DIFF SENSE input pin. Connect through a 20-k $\Omega$  resistor to DIFSENS and through a 0.1- $\mu$ F capacitor to GND. Input to comparators that detect what type of drives are connected to the SCSI bus.

**DISCNCT1:** Disconnect one controls termination lines 10–27 (control and low byte).

**DISCNCT2:** Disconnect two controls termination lines 1–9 (high byte).

**LVD:** TTL compatible status bit indicating when low-voltage-differential voltage is present on DIFFB.

**L1– thru L27–:** Negative lines for the SCSI bus.

**L1+ thru L27+:** Positive lines for the SCSI bus.



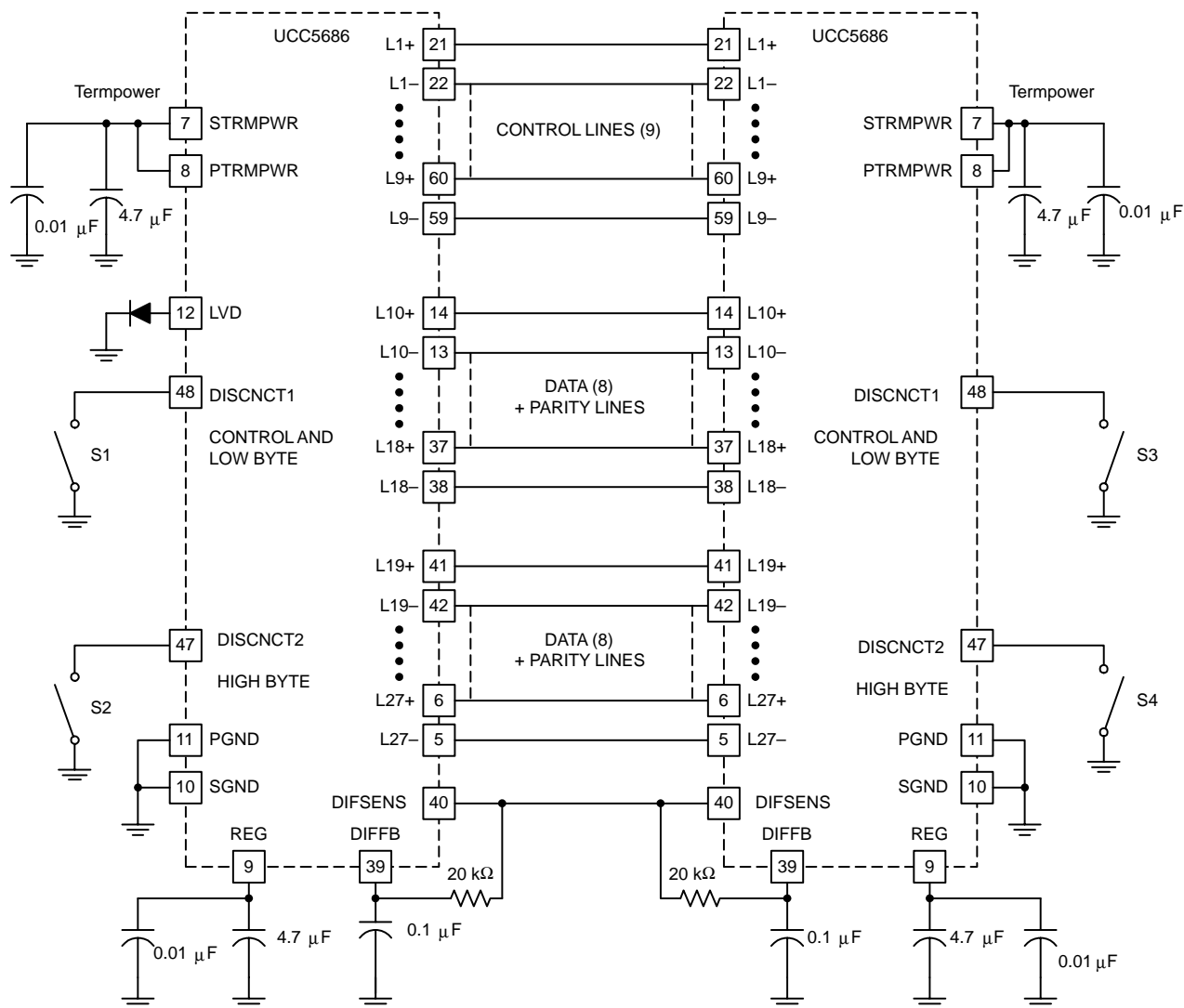
POST OFFICE BOX 655303 • DALLAS, TEXAS 75265

# UCC5686, UCC5687

## 27-LINE 3-V – 5-V LVD TERMINATOR FOR WIDE ULTRA2, ULTRA3, ULTRA160, AND ULTRA320 SCSI WITH INTEGRATED SPI-3 DELAY

SLUS459B – OCTOBER 2000 – REVISED APRIL 2001

### APPLICATION INFORMATION



NOTE A: Close S1, S2, S3, and S4 to connect terminators in UCC5686. Open S1, S2, S3, and S4 to connect terminators in UCC5687.

**Figure 1. Typical Application Diagram**

## IMPORTANT NOTICE

Texas Instruments Incorporated and its subsidiaries (TI) reserve the right to make corrections, modifications, enhancements, improvements, and other changes to its products and services at any time and to discontinue any product or service without notice. Customers should obtain the latest relevant information before placing orders and should verify that such information is current and complete. All products are sold subject to TI's terms and conditions of sale supplied at the time of order acknowledgment.

TI warrants performance of its hardware products to the specifications applicable at the time of sale in accordance with TI's standard warranty. Testing and other quality control techniques are used to the extent TI deems necessary to support this warranty. Except where mandated by government requirements, testing of all parameters of each product is not necessarily performed.

TI assumes no liability for applications assistance or customer product design. Customers are responsible for their products and applications using TI components. To minimize the risks associated with customer products and applications, customers should provide adequate design and operating safeguards.

TI does not warrant or represent that any license, either express or implied, is granted under any TI patent right, copyright, mask work right, or other TI intellectual property right relating to any combination, machine, or process in which TI products or services are used. Information published by TI regarding third-party products or services does not constitute a license from TI to use such products or services or a warranty or endorsement thereof. Use of such information may require a license from a third party under the patents or other intellectual property of the third party, or a license from TI under the patents or other intellectual property of TI.

Reproduction of TI information in TI data books or data sheets is permissible only if reproduction is without alteration and is accompanied by all associated warranties, conditions, limitations, and notices. Reproduction of this information with alteration is an unfair and deceptive business practice. TI is not responsible or liable for such altered documentation. Information of third parties may be subject to additional restrictions.

Resale of TI products or services with statements different from or beyond the parameters stated by TI for that product or service voids all express and any implied warranties for the associated TI product or service and is an unfair and deceptive business practice. TI is not responsible or liable for any such statements.

TI products are not authorized for use in safety-critical applications (such as life support) where a failure of the TI product would reasonably be expected to cause severe personal injury or death, unless officers of the parties have executed an agreement specifically governing such use. Buyers represent that they have all necessary expertise in the safety and regulatory ramifications of their applications, and acknowledge and agree that they are solely responsible for all legal, regulatory and safety-related requirements concerning their products and any use of TI products in such safety-critical applications, notwithstanding any applications-related information or support that may be provided by TI. Further, Buyers must fully indemnify TI and its representatives against any damages arising out of the use of TI products in such safety-critical applications.

TI products are neither designed nor intended for use in military/aerospace applications or environments unless the TI products are specifically designated by TI as military-grade or "enhanced plastic." Only products designated by TI as military-grade meet military specifications. Buyers acknowledge and agree that any such use of TI products which TI has not designated as military-grade is solely at the Buyer's risk, and that they are solely responsible for compliance with all legal and regulatory requirements in connection with such use.

TI products are neither designed nor intended for use in automotive applications or environments unless the specific TI products are designated by TI as compliant with ISO/TS 16949 requirements. Buyers acknowledge and agree that, if they use any non-designated products in automotive applications, TI will not be responsible for any failure to meet such requirements.

Following are URLs where you can obtain information on other Texas Instruments products and application solutions:

<b>Products</b>		<b>Applications</b>	
Amplifiers	<a href="http://amplifier.ti.com">amplifier.ti.com</a>	Audio	<a href="http://www.ti.com/audio">www.ti.com/audio</a>
Data Converters	<a href="http://dataconverter.ti.com">dataconverter.ti.com</a>	Automotive	<a href="http://www.ti.com/automotive">www.ti.com/automotive</a>
DLP® Products	<a href="http://www.dlp.com">www.dlp.com</a>	Communications and Telecom	<a href="http://www.ti.com/communications">www.ti.com/communications</a>
DSP	<a href="http://dsp.ti.com">dsp.ti.com</a>	Computers and Peripherals	<a href="http://www.ti.com/computers">www.ti.com/computers</a>
Clocks and Timers	<a href="http://www.ti.com/clocks">www.ti.com/clocks</a>	Consumer Electronics	<a href="http://www.ti.com/consumer-apps">www.ti.com/consumer-apps</a>
Interface	<a href="http://interface.ti.com">interface.ti.com</a>	Energy	<a href="http://www.ti.com/energy">www.ti.com/energy</a>
Logic	<a href="http://logic.ti.com">logic.ti.com</a>	Industrial	<a href="http://www.ti.com/industrial">www.ti.com/industrial</a>
Power Mgmt	<a href="http://power.ti.com">power.ti.com</a>	Medical	<a href="http://www.ti.com/medical">www.ti.com/medical</a>
Microcontrollers	<a href="http://microcontroller.ti.com">microcontroller.ti.com</a>	Security	<a href="http://www.ti.com/security">www.ti.com/security</a>
RFID	<a href="http://www.ti-rfid.com">www.ti-rfid.com</a>	Space, Avionics & Defense	<a href="http://www.ti.com/space-avionics-defense">www.ti.com/space-avionics-defense</a>
RF/IF and ZigBee® Solutions	<a href="http://www.ti.com/lprf">www.ti.com/lprf</a>	Video and Imaging	<a href="http://www.ti.com/video">www.ti.com/video</a>
		Wireless	<a href="http://www.ti.com/wireless-apps">www.ti.com/wireless-apps</a>

Mailing Address: Texas Instruments, Post Office Box 655303, Dallas, Texas 75265  
Copyright © 2010, Texas Instruments Incorporated