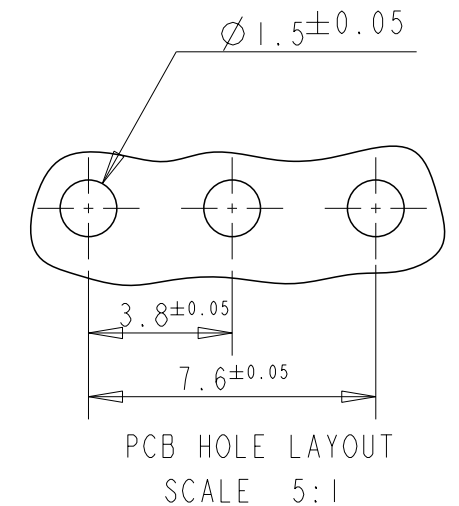
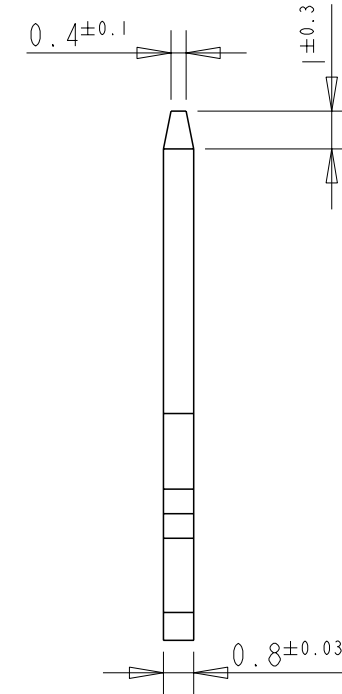
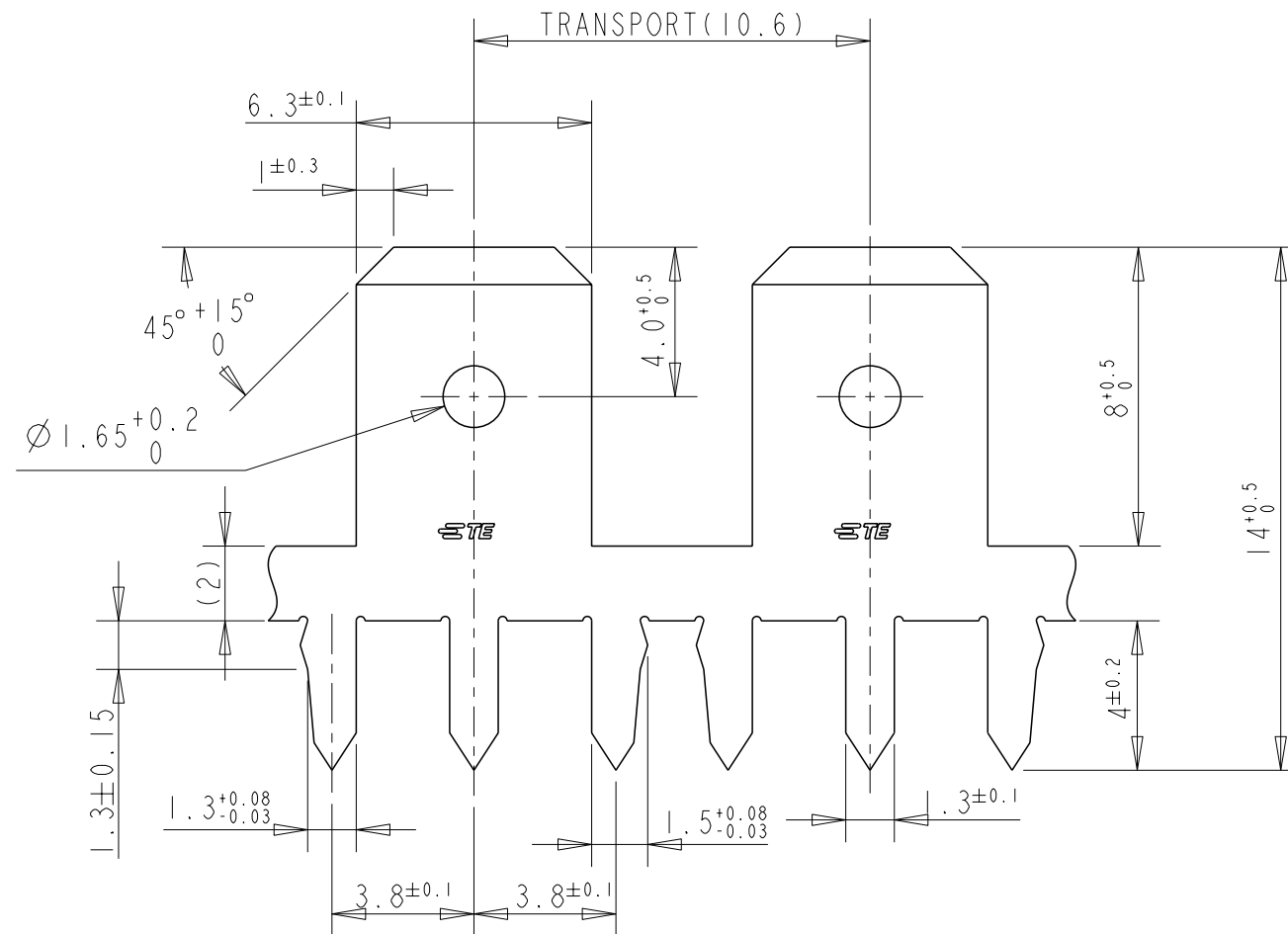


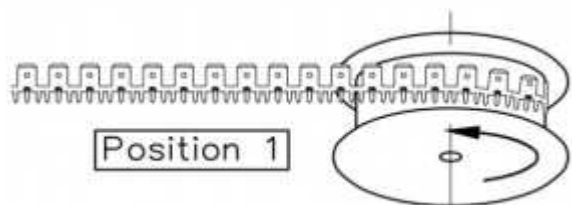
REVISIONS

P	LTR	DESCRIPTION	DATE	DWN	APVD
	A	RELEASE TO PRODUCTION	28MAY21	MK	EW

NOTE:  
 1. CONTINUOUS STRIP ON REELS  
 2. MATTE TIN PLATE WITH NICKEL UNDERLAYER



DIRECTION OF TRANSPORT OF SALE SPOOLS



THIS DRAWING IS A CONTROLLED DOCUMENT.

DIMENSIONS: mm	TOLERANCES UNLESS OTHERWISE SPECIFIED: 0 PLC ±- 1 PLC ±0.1 2 PLC ±- 3 PLC ±- 4 PLC ±- ANGLES ±- FINISH -
MATERIAL SEE TABLE	

DWN	DON TANG	12MAY2020
CHK	DAISY LI	12MAY2020
APVD	ERIC WANG	12MAY2020
PRODUCT SPEC	108-106562	
APPLICATION SPEC	114-2115	
WEIGHT	-	
CUSTOMER DRAWING		

STANDARD	2	CuZn30	2376579-2
REELING	PLATING	MATERIAL	PN
<b>STE</b> TE Connectivity			
NAME TAB. FASTON. P.C. BOARD 6.35 [.250] 3P			
SIZE	CAGE CODE	DRAWING NO	RESTRICTED TO
A3	00779	C=2376579	-
SCALE		SHEET	REV
5:1		1 OF 1	A