

CUSTOMER PRINT

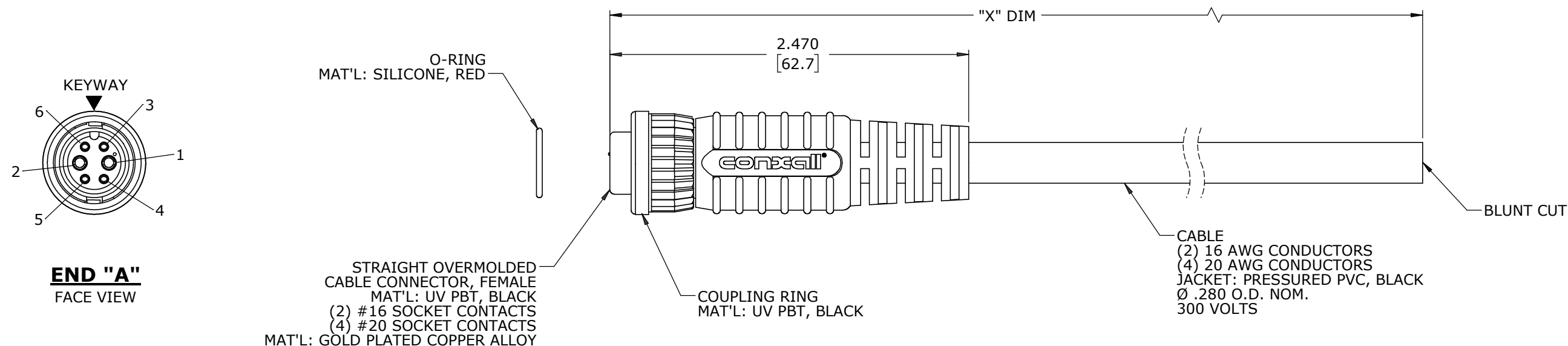
PART NUMBER: CA6C806SXXX90

NOTES:

1. FINISHED PRODUCT TO BE COILED
2. OVERMOLD BOOT MATERIAL: PVC, BLACK
3. ELECTRICAL TEST: 100% CONTINUITY
4. ALL DIMENSIONS ARE REFERENCE EXCEPT THOSE WITH A TOLERANCE

ASS'Y P/N	"X" DIM
CA6C806S03990	3 FT. 3 1/2 IN. ±2 IN. [1M ±50.8mm]
CA6C806S07990	6 FT. 7 IN. ±2 IN. [2M ±50.8mm]
CA6C806S19790	16 FT. 5 IN. ±4 IN. [5M ±101.6mm]
CA6C806S39490	32 FT. 9 3/4 IN. ±8 IN. [10M ±203.2mm]
CA6C806SXXX90	

CABLE LENGTH IN INCHES



WIRE COLOR CODE					
POS. 1	POS. 2	POS. 3	POS. 4	POS. 5	POS. 6
BLK	WHT	RED	BLU	GRN	YEL
16 AWG	16 AWG	20 AWG	20 AWG	20 AWG	20 AWG

DIMENSIONS IN BRACKETS [] ARE IN MILLIMETERS UNLESS INDICATED

CUSTOMER APPROVAL

THIS DOCUMENT CONTAINS CONFIDENTIAL INFORMATION PROPRIETARY TO CONXALL CORPORATION. ANY REPRODUCTION, DISCLOSURE, OR USE OF THIS DOCUMENT /INFORMATION IS EXPRESSLY PROHIBITED UNLESS AUTHORIZED IN WRITING BY CONXALL CORPORATION.

APPROVED BY: _____
DATE: _____

RoHS COMPLIANT

A	MA	07-28-21	DRAWING CREATED PER DOR 21-109361DS		
REV.	INIT.	DATE	DESCRIPTION		
	MA	07-28-21	ORIG. DRAWN BY: DATE: MA 07-28-21		
ALL INFORMATION ILLUSTRATED IS THE PROPERTY OF "CONXALL CORPORATION". UNAUTHORIZED DUPLICATION OR DISTRIBUTION OF THIS DOCUMENT IS PROHIBITED.			<p>601 E. WILDWOOD VILLA PARK, IL 60181</p>		
ALL UNITS ARE IN FEET, INCHES, FRACTION OF INCHES AND DECIMALS.			TITLE: CABLE ASSEMBLY 2#16/4#20 SOCKET CONTACTS MINI-CON-X MIXED SIGNAL FLEX OM STANDARD PRODUCT		
APPROVED BY:	SCALE	SIZE	SHEET	PART NUMBER: CA6C806SXXX90	
	NTS	B	1 OF 1	REV A	
FILE:	DIRECTORY:	PART NUMBER: CA6C806SXXX90			
CA6C806SXXX90	SLW				