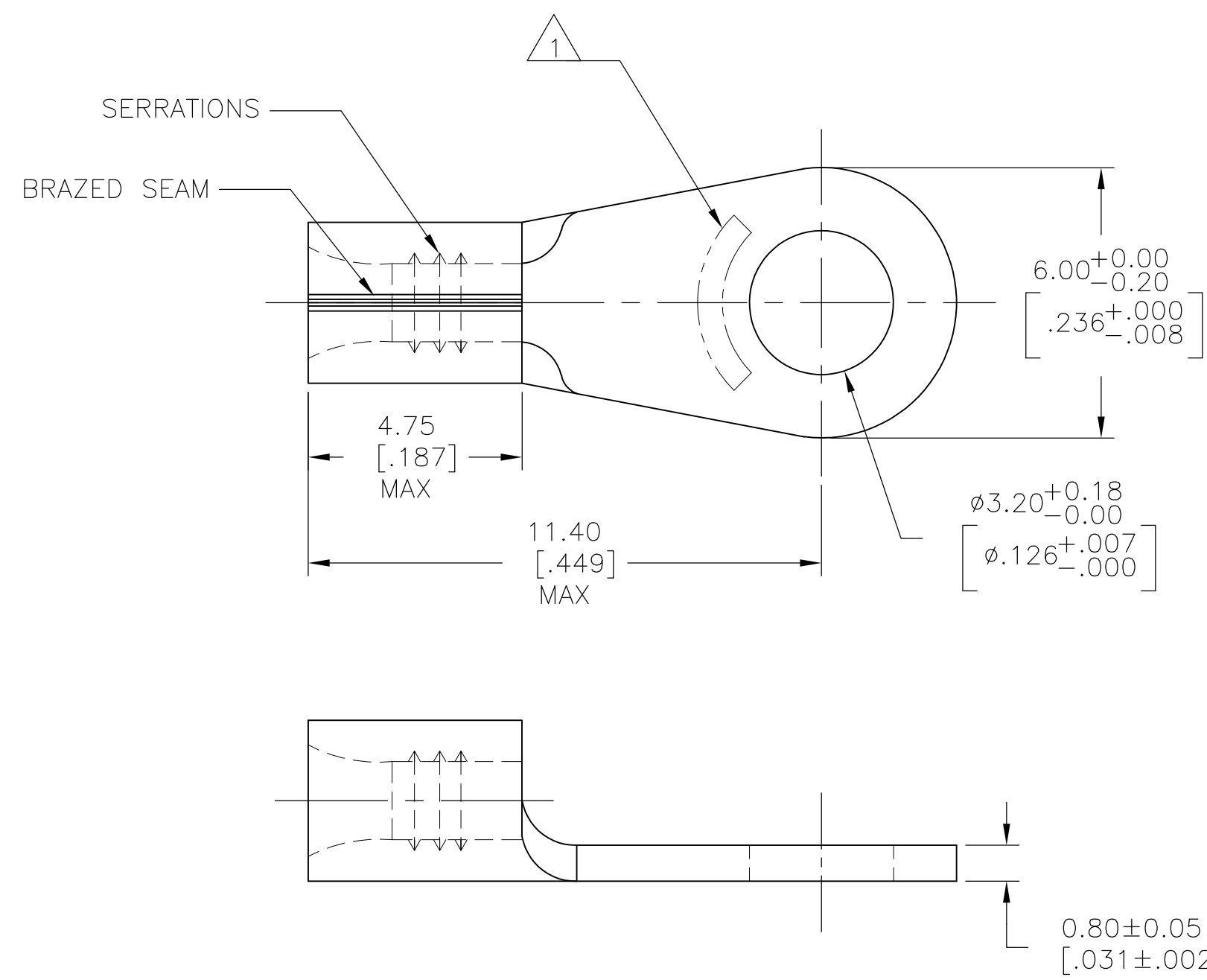



THIS DRAWING IS UNPUBLISHED. RELEASED FOR PUBLICATION
 © COPYRIGHT - By - ALL RIGHTS RESERVED.

LOC	DIST	REVISIONS			
P	LTR	DESCRIPTION	DATE	DWN	APVD
G	01	D1	REDRAWN PER ECO-14-019282	31DEC2014	NK DR



- 1 STAMP "AMP 3-1" APPROX AS SHOWN.
- 2 MATERIAL: COPPER PER ASTM B152, ANNEALED
- 3 FINISH: 0.0030[.000120] MIN EXT. THK. PER ASTM B545.

1000	LOOSE PIECE	165291
QTY	PACKAGE TYPE	PART NUMBER

THIS DRAWING IS A CONTROLLED DOCUMENT.		DWN NAGALAKSHMI K	24DEC2014	 TE Connectivity RING TONGUE STUD M3	
DIMENSIONS: mm [INCHES]		CHK ROHDE DANIEL F	24DEC2014		
TOLERANCES UNLESS OTHERWISE SPECIFIED:		APVD ROHDE DANIEL F	24DEC2014		
0 PLC ± - 1 PLC ± - 2 PLC ± - 3 PLC ± - 4 PLC ± - ANGLES ± -		NAME			
TYPE -DIN- SOLISTRAND		PRODUCT SPEC		SIZE	
WIRE RANGE 0.5-1.0 mm2 (987-1974 CMA)		APPLICATION SPEC		CAGE CODE	
MATERIAL		WEIGHT		DRAWING NO	
2		-		A3 00779 C-165291	
3		CUSTOMER DRAWING		RESTRICTED TO	
		SCALE 8:1		SHEET 1 OF 1	
				REV D1	