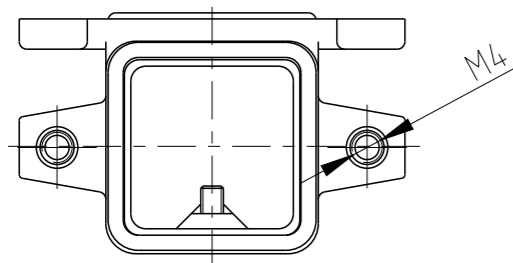
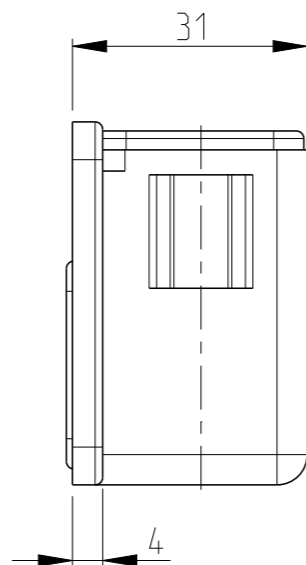
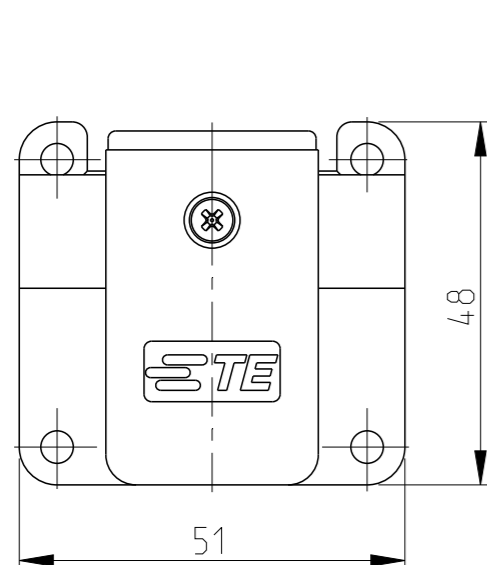


LOC
A1

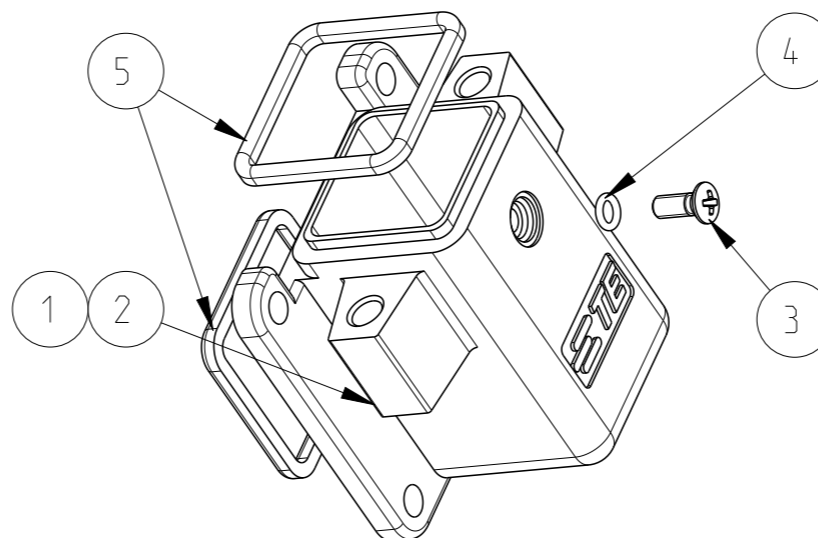
DIST
-

REVISIONS

P	LTR	DESCRIPTION	DATE	DWN	APVD
	A7	ECR-09-023155	22OCT2009	VG	AR
	A8	ECR-14-006716	15MAY2014	RK	MKO
	B	ECR-16-001983	19MAY2016	GCM	JB
	C	ECR-16-014579	25APR2017	GCM	JB



PN 4-5 AS SHOWN

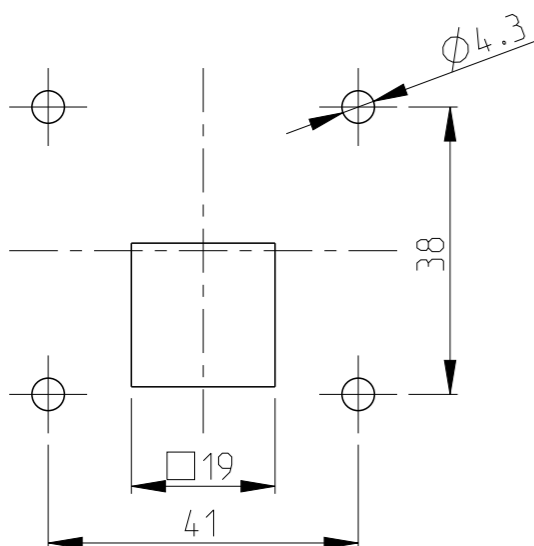


Notes

- 1 SUITABLE HOUSINGS: SERIES EMV, SIZE 1
CUSTOMER DRAWING 1102700, 1106402, 1106200
- 2 STANDARDS:
DIN EN 61984, DIN EN 60664-1
- 3 SUR TEC 650 CHROMIT AL TCP PASSIVATION
- 4 TOOL:
PHILLIPS SCREWDRIVER PH1.
- 5 VARNISH ON INSIDE AREA NOT NECESSARY
- 6 PACKAGING:
10 SETS IN A CARTON.

3-1102702-5	EMV.3/4.SGF
4-1102702-5	EMV-K.3/4.SGF
PART NO.	ORDERING TEXT

PANEL-CUT-OUT



PN/QTY	DESCRIPTION	MATERIAL	COLOR/SURFACE	NOTE	ITEM
2	2 PROFILE SEAL	FKM	BLACK	SERIES EMV / HIP	5
1	1 O - RING	NBR	BLACK	3.0x1.0	4
1	1 SCREW COUNTERSUNK RAISED HEAD	STAINL. STEEL V2A	-	M3x8 PH1 DIN EN ISO 7047	3
1	1 ANGLED BULKHEAD HOUSING	ALU	BLACK SEE NOTE 3	SERIES EMV-K	2
-	1 ANGLED BULKHEAD HOUSING	ALU	GREY	SERIES EMV	1

PARTS LIST (PER ONE UNIT)

THIS DRAWING IS A CONTROLLED DOCUMENT.

DIMENSIONS:	TOLERANCES UNLESS OTHERWISE SPECIFIED:
mm	
	0 PLC ±-
	1 PLC ±-
	2 PLC ±-
	3 PLC ±-
	4 PLC ±-
	ANGLES ±1°
MATERIAL	FINISH

DWN	V.GLUMM	25AUG2009
CHK	H.Braun	25AUG2009
APVD	T.Schnurpfeil	25AUG2009
PRODUCT SPEC	-	
APPLICATION SPEC	-	
WEIGHT	-	

TE Connectivity			
NAME ANGLED BULKHEAD HOUSING ASS'Y BOTTOM ENTRY, SERIES EMV, SIZE 1			
SIZE	CAGE CODE	DRAWING NO	RESTRICTED TO
A3	00779	©=1102702	-