

# SAC-3P- 1,5-PUR/A-1L-R-ES 4A - Sensor/actuator cable



1400827

<https://www.phoenixcontact.com/us/products/1400827>

Please be informed that the data shown in this PDF document is generated from our online catalog. Please find the complete data in the user documentation. Our general terms of use for downloads are valid.



Sensor/actuator cable, 3-position, free cable end, on Valve connector A, with 1 LED, connected with Freewheeling diode with holding current limiting device, cable length: 1.5 m, with holding current limiting device for energy reduction

## Commercial data

Item number	1400827
Packing unit	1 pc
Minimum order quantity	1 pc
Sales key	BF07
Product key	BF1DAA
Catalog page	Page 235 (C-2-2019)
GTIN	4046356924511
Weight per piece (including packing)	73.8 g
Weight per piece (excluding packing)	71.8 g
Customs tariff number	85444290
Country of origin	DE

# SAC-3P- 1,5-PUR/A-1L-R-ES 4A - Sensor/actuator cable



1400827

<https://www.phoenixcontact.com/us/products/1400827>

## Technical data

### Product properties

Product type	Sensor/actuator cable with valve connector
Number of positions	3
Application	Standard
No. of cable outlets	1
Shielded	no

### Material specifications

Seal material	TPU
Material housing valve plug	TPU
Contact material	CuSn
Valve plug contact insert material	PA 6.6
Contact surface material	Ag

### Electrical properties

Contact resistance	$\leq 5 \text{ m}\Omega$
Insulation resistance	$\geq 100 \text{ M}\Omega$
Nominal voltage $U_N$	24 V DC $\pm 20 \%$
Nominal current $I_N$	4 A
Protective circuit	Freewheeling diode with holding current limiting device

### Valve connector characteristics

Switch-over time	approx. 500 ms (Initial operating time)
Clock frequency	approx. 800 Hz (Holding current limiting device)
Switching frequency	max. 1 Hz (Connected valve)
Fixing screws	M3 x 28

### Signaling

Status display	1 LED
Status display present	Yes

### Connector

#### Connection 1

Type	free cable end
------	----------------

#### Connection 2

Type	Valve connector A
Number of positions	3
Material	CuSn (Contact)
	Sn (Contact surface)
	PA 6.6 (Contact carriers)
	TPU (Housing)

# SAC-3P- 1,5-PUR/A-1L-R-ES 4A - Sensor/actuator cable

1400827


<https://www.phoenixcontact.com/us/products/1400827>

Number of positions	3
---------------------	---

## Cable/line

Cable length	1.5 m
--------------	-------

### PUR halogen-free black [PUR]

Dimensional drawing	
Cable weight	30 kg/km
UL AWM Style	20549
Number of positions	3
Shielded	no
Cable type	PUR halogen-free black [PUR]
Conductor structure signal line	28x 0.15 mm
AWG signal line	20
Conductor cross section	3x 0.5 mm <sup>2</sup>
Wire diameter incl. insulation	1.5 mm ±0.05 mm (Signal line)
External cable diameter	4.5 mm ±0.2 mm
Outer sheath, material	PUR
External sheath, color	black-gray RAL 7021
Conductor material	Bare Cu litz wires
Material wire insulation	PP
Single wire, color	black 1, black 2, green/yellow
Overall twist	3 wires, twisted
Max. conductor resistance	39 Ω/km (at 20 °C)
Insulation resistance	min. 20 MΩ*km
Nominal voltage, cable	≤ 300 V
Test voltage	≥ 1200 V
Minimum bending radius, fixed installation	5 x D
Minimum bending radius, flexible installation	10 x D
Smallest bending radius, fixed installation	22.5 mm
Max. bending cycles	15000000
Halogen-free	in accordance with DIN VDE 0472 part 815
Flame resistance	according to DIN VDE 0482 According to DIN EN 50265-2-1
Resistance to oil	in accordance with DIN EN 60811-2-1
Other resistance	largely oil-resistant partly UV-resistant in accordance with DIN EN ISO 4892-2-A

# SAC-3P- 1,5-PUR/A-1L-R-ES 4A - Sensor/actuator cable



1400827

<https://www.phoenixcontact.com/us/products/1400827>

Ambient temperature (operation)	-40 °C ... 80 °C (cable, fixed installation)
	-20 °C ... 80 °C (Cable, flexible installation)

## Environmental and real-life conditions

### Ambient conditions

Degree of protection	IP67
Ambient temperature (operation)	-25 °C ... 80 °C (valve plug)

## Standards and regulations

### Valve connector

Standard designation	Valve connector
Standards/specifications	EN 175301-803

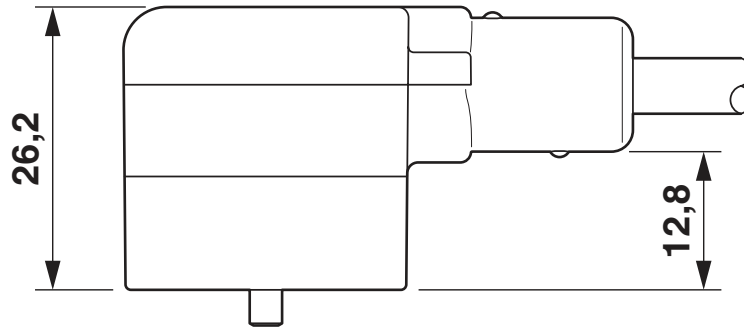
# SAC-3P- 1,5-PUR/A-1L-R-ES 4A - Sensor/actuator cable

1400827

<https://www.phoenixcontact.com/us/products/1400827>

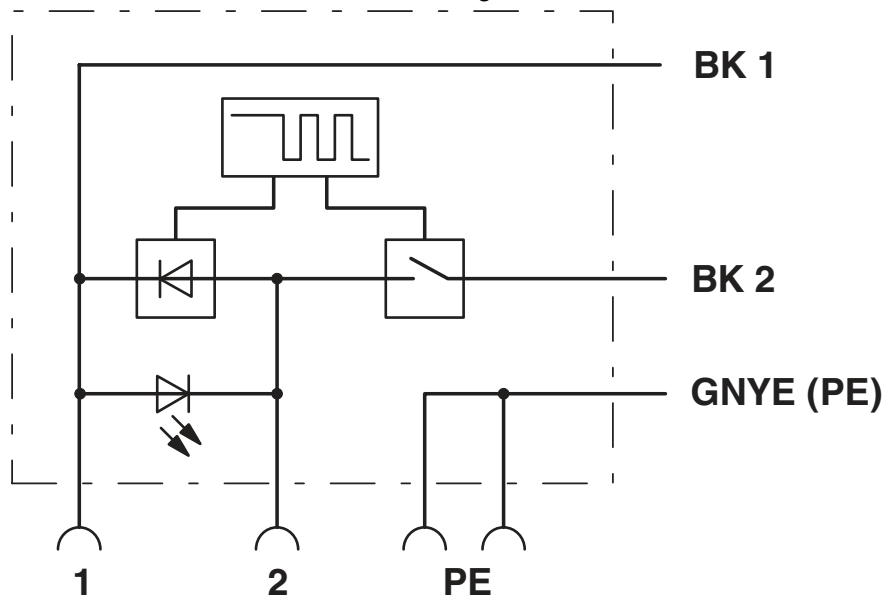
## Drawings

Dimensional drawing



Valve connector, type A, side view

Circuit diagram

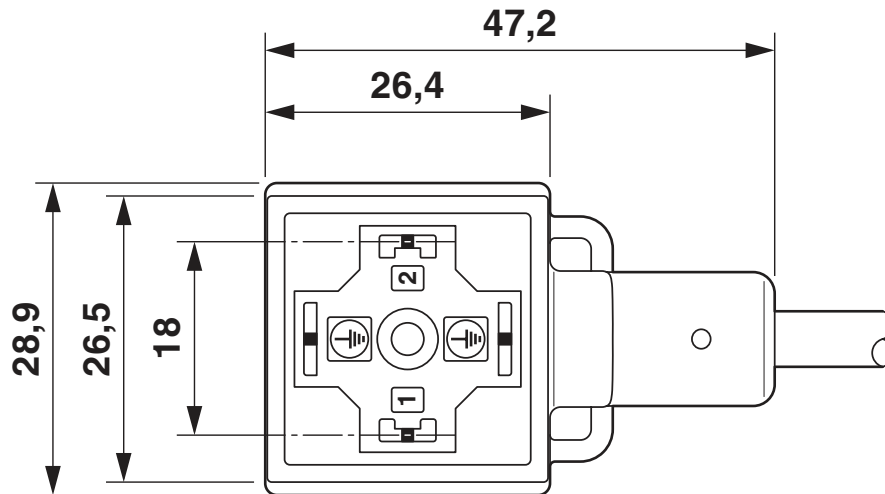


# SAC-3P- 1,5-PUR/A-1L-R-ES 4A - Sensor/actuator cable

1400827

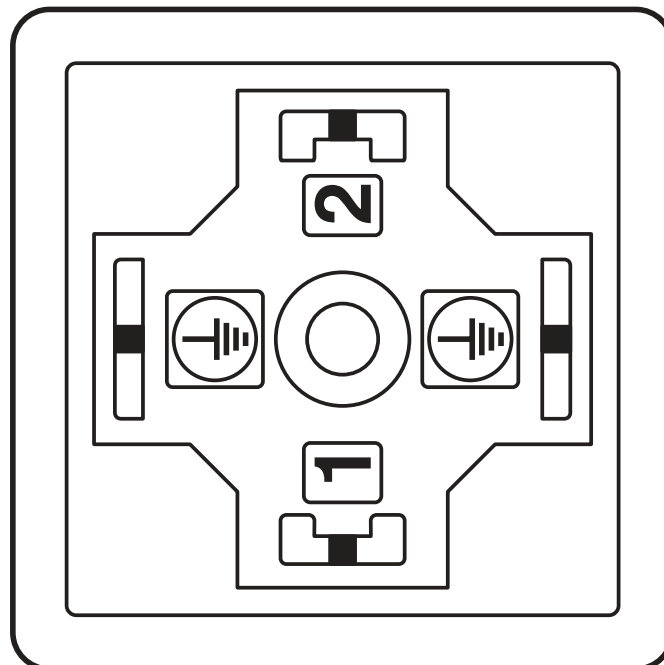
<https://www.phoenixcontact.com/us/products/1400827>

Dimensional drawing



Valve connector, type A

Schematic diagram



Valve connector pin assignment, type A

# SAC-3P- 1,5-PUR/A-1L-R-ES 4A - Sensor/actuator cable



1400827

<https://www.phoenixcontact.com/us/products/1400827>

## Approvals

To download certificates, visit the product detail page: <https://www.phoenixcontact.com/us/products/1400827>



**EAC-RoHS**

Approval ID: RU D-DE.HB35.B.00385

# SAC-3P- 1,5-PUR/A-1L-R-ES 4A - Sensor/actuator cable



1400827

<https://www.phoenixcontact.com/us/products/1400827>

## Classifications

### ECLASS

ECLASS-11.0	27060312
ECLASS-12.0	27060312
ECLASS-13.0	27060312

### ETIM

ETIM 8.0	EC001855
----------	----------

### UNSPSC

UNSPSC 21.0	31251500
-------------	----------



# SAC-3P- 1,5-PUR/A-1L-R-ES 4A - Sensor/actuator cable



1400827

<https://www.phoenixcontact.com/us/products/1400827>

## Environmental product compliance

China RoHS	Environmentally friendly use period: unlimited = EFUP-e
	No hazardous substances above threshold values

Phoenix Contact 2023 © - all rights reserved  
<https://www.phoenixcontact.com>

Phoenix Contact USA  
586 Fulling Mill Road  
Middletown, PA 17057, United States  
(+717) 944-1300  
[info@phoenixcon.com](mailto:info@phoenixcon.com)