

THIS DRAWING IS UNPUBLISHED.

RELEASED FOR PUBLICATION

20

© COPYRIGHT 20

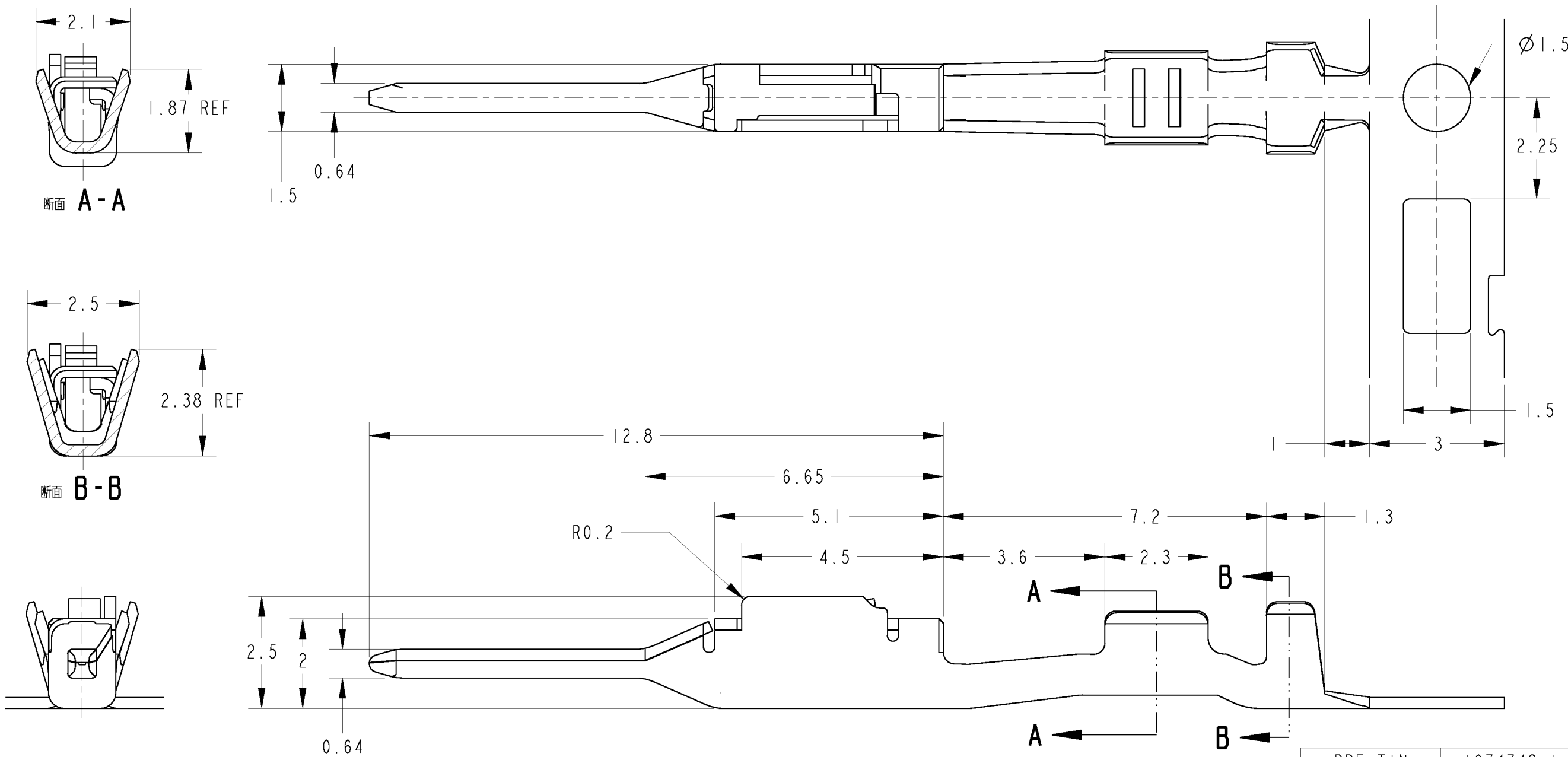
ALL RIGHTS RESERVED.

LOC
J

DIST
-

REVISIONS
変更

P	LTR	DESCRIPTION	DATE	DWN	APVD
P		REVISED PER ECO-11-005140	02APR2011	RK	HMR



- 1. 適用電線; AVSS, CAVS, CAVUS, AVSSH-f 0.3~0.5mm²
- 2. アプリケータ送りピッチ; 7.5mm

- 1. APPLICABLE WIRE RANGE;
AVSS, CAVS, CAVUS, AVSSH-f 0.3~0.5mm²
- 2. APPLICATOR FEED; 7.5mm

THIS DRAWING IS A CONTROLLED DOCUMENT.

DIMENSIONS: 単位: ㎜ mm	TOLERANCES UNLESS OTHERWISE SPECIFIED: 一般公差 ±0.3 0-PLC ± 1-PLC ±0.5 2-PLC ±0.13 3-PLC ±0.013 4-PLC ±0.000J ANGLES ±3'00"	DWN S. FURUYA 19-JUN-03 CHK T. KOHNO 19-JUN-03 APVD K. SHIMIZU 19-JUN-03 PRODUCT SPEC 製品規格 APPLICATION SPEC 取付適用規格 114-5340 WEIGHT 0.2g
MATERIAL 材料 COPPER Alloy	FINISH 仕上 SEE TABLE	CUSTOMER DRAWING

WIRE RANGE 包合電線断面積 0.37~0.56mm ²	INSULATION DIA 被覆外径 Ø1.1~1.7
<p>STE TE Connectivity</p> <p>025 TH TAB CONTACT</p>	
SIZE A3	CAGE CODE 00779
DRAWING NO 番号 C=1674742	RESTRICTED TO -
SCALE 尺度 10:1	SHEET OF 1
REV P	

PRE-TIN	1674742-1
FINISH	PART NO.