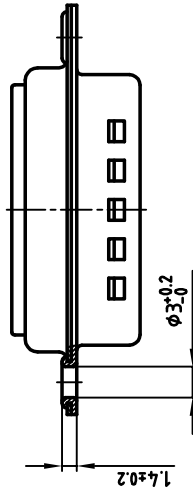
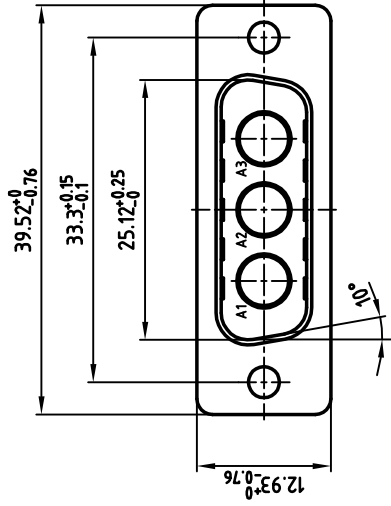
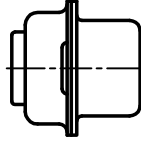
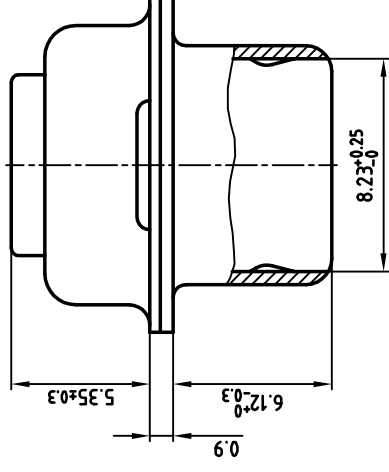


used for: D-SUB COMBINATION



5:1



Directive 2002/95/EC
 „RoHS“
 Compliant

NOTES:

1. METAL SHELLS: STEEL; TIN PLATED
2. INSULATOR: PBT GF, UL 94 V-0; GREEN

THIS DRAWING MAY NOT BE COPIED OR REPRODUCED IN ANY WAY, AND MAY NOT BE PASSED ON TO A THIRD PARTY WITHOUT WRITTEN PERMISSION.
 OWNERSHIP AND COPYRIGHT OF CONEC GMBH
DO NOT ALTER CAD DRAWING BY HAND

rev.	description	date	name

1998	date	name
drawn	11.09.	Barcinski
appd.	11.09.	Mickenbecker
norm		
e-old		

tolerance		scale: 2:1 (5:1)	
		material: SEE NOTES	
title:		D-SUB COMBINATION MALE	
		3W3P	
		WITHOUT CONTACTS	
dwg no:		[CAD/ REL:13	DIN-A
		13K2119A	
		3	
		sh: 1/1	
product no:		3003W3PXX99A10X	

