



soberton inc.

DYNAMIC SPEAKER UNIT

Acoustic Product Specification

Product Number: SP-4014Y



Release | Revision: A/2018

CONTENTS

This document contains the technical specifications for the dynamic speaker.

Page 1

Speaker Specification

Page 2

Measuring Circuit

Typical Frequency Response Curve

Page 3

Dimensions

Speaker Specification

Item	Specification	Testing Condition
Dimensions	40.1 x 40.1 x H14.5mm	
Voice Coil Impedance	8Ω±15%	At 1.0KHz 1.0V
Resonant Frequency	400±20% Hz	At 1.0V
Output S.P.L.	84±2dB at 0.5, 0.6, 0.8, 1.0 KHz in average	At 0.5m /1.0W
Frequency Response	f0~10KHz	-10dB
Rated Input Power	4.0 W	
Max Input Power	6.0 W	
Operation	Must be normal	Program source 4.0 W
Noise	Must be normal	Sine wave 5.66 V
Heat Test	Meet items 8 & 9 after test	55±2°C 16 hours
Humidity Test	Meet items 8 & 9 after test	40±2°C 90~95%RH 48 hours
Load Test	Meet items 8 & 9 after test	4.0 W 96 hours
Magnet	Φ24 x 3.5mm (N38SH) NdFeB	
Polarity	When a positive DC current is applied to the terminal marked(+), the diaphragm moves forward.	
Net Weight	48g	



soberton inc.

DYNAMIC SPEAKER UNIT

Acoustic Product Specification

Product Number: SP-4014Y



Release | Revision: A/2018

CONTENTS

This document contains the technical specifications for the dynamic speaker.

Page 1

Speaker Specification

Page 2

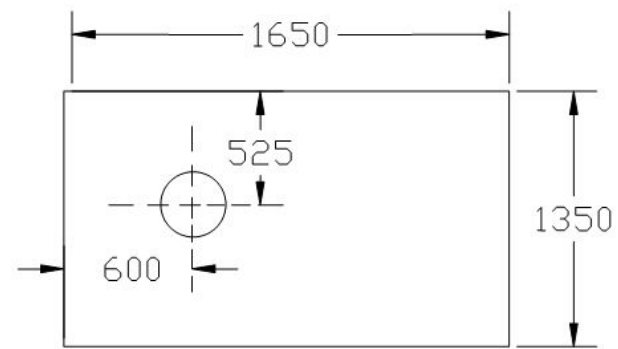
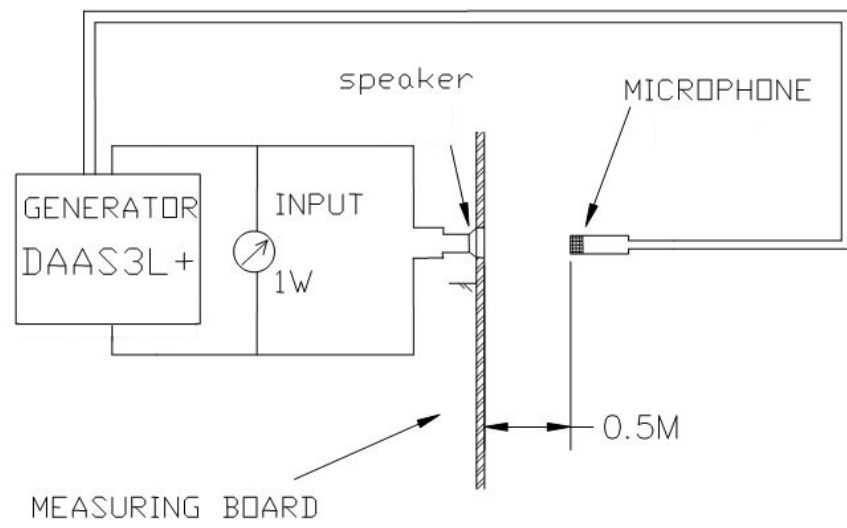
Measuring Circuit

Typical Frequency Response Curve

Page 3

Dimensions

Measuring Circuit



MEASUREMENT

Typical Frequency Response Curve





soberton inc.

DYNAMIC SPEAKER UNIT

Acoustic Product Specification

Product Number: SP-4014Y



Release | Revision: A/2018

CONTENTS

This document contains the technical specifications for the dynamic speaker.

Page 1

Speaker Specification

Page 2

Measuring Circuit

Typical Frequency Response Curve

Page 3

Dimensions

Dimensions

Tolerance: $\pm 0.2\text{mm}$

