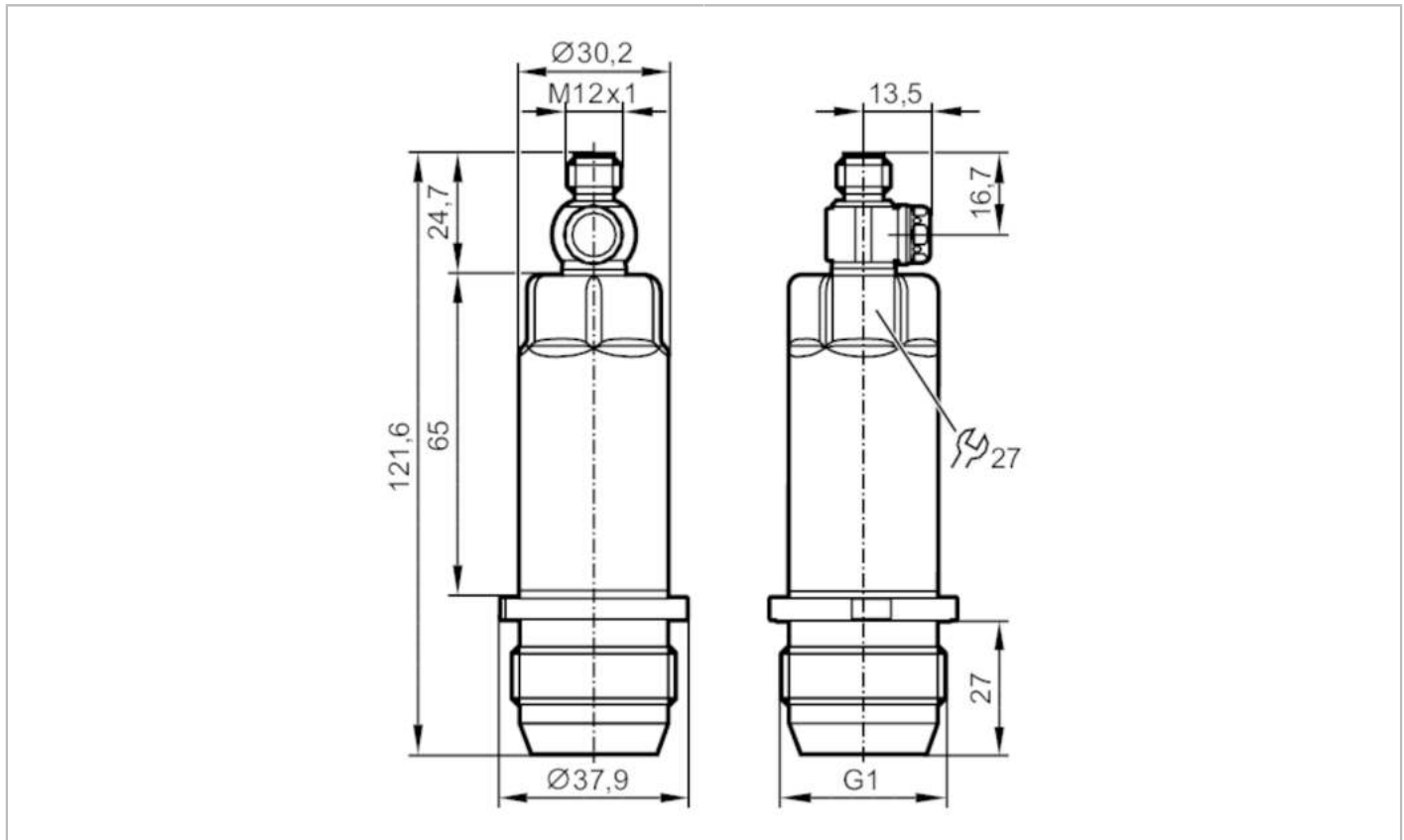


# PM1608



## Flush pressure transmitter

PM-,25BREA01-E-ZVG/US



Product characteristics	
Number of inputs and outputs	Number of analogue outputs: 1
Measuring range	-0.0125...0.25 bar    -12.5...250 mbar    -0.182...3.626 psi    -1.25...25 kPa
Process connection	threaded connection G 1 external thread sealing cone
Application	
Special feature	Gold-plated contacts
Measuring element	ceramic-capacitive pressure measuring cell
Temperature monitoring	no
Application	flush mountable for the food and beverage industry
Media	viscous media and liquids with suspended particles; liquids and gases
Medium temperature [°C]	-25...125; (150 max. 1h)
Min. bursting pressure	30000 mbar    435 psi    3000 kPa
Pressure rating	6000 mbar    84 psi    600 kPa
Vacuum resistance [mbar]	-1000
Type of pressure	relative pressure
No dead space	yes
MAWP (for applications according to CRN) [bar]	10
Electrical data	
Operating voltage [V]	18...30 DC
Min. insulation resistance [MΩ]	100; (500 V DC)

# PM1608



## Flush pressure transmitter

PM-,25BREA01-E-ZVG/US

Protection class	III			
Reverse polarity protection	yes			
Measuring principle	hydrostatic			
Integrated watchdog	yes			
<b>2-wire</b>				
Current consumption [mA]	3.5...21.5			
Power-on delay time [s]	1			
<b>3-wire</b>				
Current consumption [mA]	< 45			
Power-on delay time [s]	0.5			
<b>Inputs / outputs</b>				
Number of inputs and outputs	Number of analogue outputs: 1			
<b>Outputs</b>				
Total number of outputs	2			
Output signal	analogue signal; IO-Link; (configurable)			
Number of analogue outputs	1			
Analogue current output [mA]	4...20; (scalable)			
Max. load [Ω]	700; (U <sub>b</sub> = 24 V; (U <sub>b</sub> - 9 V) / 21.5 mA)			
Short-circuit proof	yes			
Overload protection	yes			
<b>Measuring/setting range</b>				
Measuring range	-0.0125...0.25 bar	-12.5...250 mbar	-0.182...3.626 psi	-1.25...25 kPa
Analogue start point	-12.5...200 mbar	-0.182...2.9 psi	-1.25...20 kPa	
Analogue end point	37.5...250 mbar	0.544...3.626 psi	3.75...25 kPa	
In steps of	0.1 mbar	0.002 psi	0.01 kPa	
Factory setting	ASP = 0.0 bar	AEP = 250 mbar		
<b>Accuracy / deviations</b>				
Repeatability [% of the span]	< ± 0,1; (with temperature fluctuations < 10 K; Turn down 1:1)			
Characteristics deviation [% of the span]	< ± 0,2; (linearity incl. hysteresis and repeatability, limit value setting to DIN EN IEC 62828-1)			
Linearity deviation [% of the span]	< ± 0,15; (Turn down 1:1)			
Hysteresis deviation [% of the span]	< ± 0,15; (Turn down 1:1)			
Long-term stability [% of the span]	< ± 0,1; (Turn down 1:1; per year)			
Temperature coefficient zero point [% of the span / 10 K]	< ± 0,05; (0...70 °C)			
Temperature coefficient span [% of the span / 10 K]	< ± 0,15; (0...70 °C)			
<b>Response times</b>				
Damping for the analogue output dAA [s]	0...4			

# PM1608



## Flush pressure transmitter

PM-,25BREA01-E-ZVG/US

<b>2-wire</b>		
Step response time analogue output [ms]		30
<b>3-wire</b>		
Step response time analogue output [ms]		7
<b>Interfaces</b>		
Communication interface	IO-Link	
Transmission type	COM2 (38,4 kBaud)	
IO-Link revision	1.1	
Profiles	Digital Measuring Sensor (0x000A), Identification and Diagnosis (0x4000)	
SIO mode	no	
Required master port type	A	
Process data analogue	3	
Min. process cycle time [ms]	3.2	
Supported DeviceIDs	Type of operation	DeviceID
	Default	669
<b>Operating conditions</b>		
Ambient temperature [°C]	-25...80	
Storage temperature [°C]	-40...100	
Protection	IP 67; IP 68; IP 69K	
<b>Tests / approvals</b>		
EMC	DIN EN 61000-6-2	
	DIN EN 61000-6-3	
Shock resistance	DIN EN 60068-2-27	50 g (11 ms)
Vibration resistance	DIN EN 60068-2-6	20 g (10...2000 Hz)
MTTF [years]	323	
Note on approval	factory certificate available as download at <a href="http://www.factory-certificate.ifm">www.factory-certificate.ifm</a>	
UL approval	UL Approval no.	J022
<b>Mechanical data</b>		
Weight [g]	304.8	
Materials	stainless steel (1.4404 / 316L); PBT	
Materials (wetted parts)	ceramics (99.9 % Al <sub>2</sub> O <sub>3</sub> ); stainless steel (1.4435 / 316L); surface characteristics: Ra < 0,4 / Rz 4; PTFE	
Min. pressure cycles	100 million	
Tightening torque [Nm]	20	
Process connection	threaded connection G 1 external thread sealing cone	
<b>Remarks</b>		
Pack quantity	1 pcs.	

# PM1608

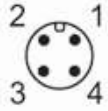


## Flush pressure transmitter

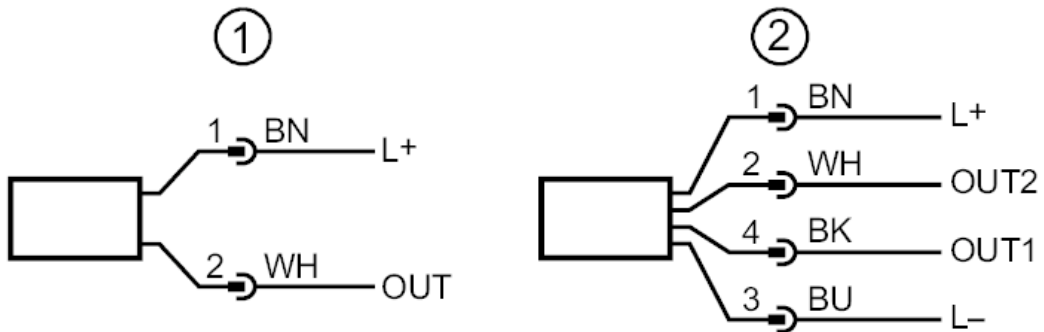
PM-,25BREA01-E-ZVG/US

### Electrical connection

Connector: 1 x M12; coding: A; Contacts: gold-plated



### Connection



- 1 connection for 2-wire operation ( analogue )
- 2 connection for 3-wire operation ( analogue / IO-Link )  
OUT1 : IO-Link  
OUT2 : analogue output