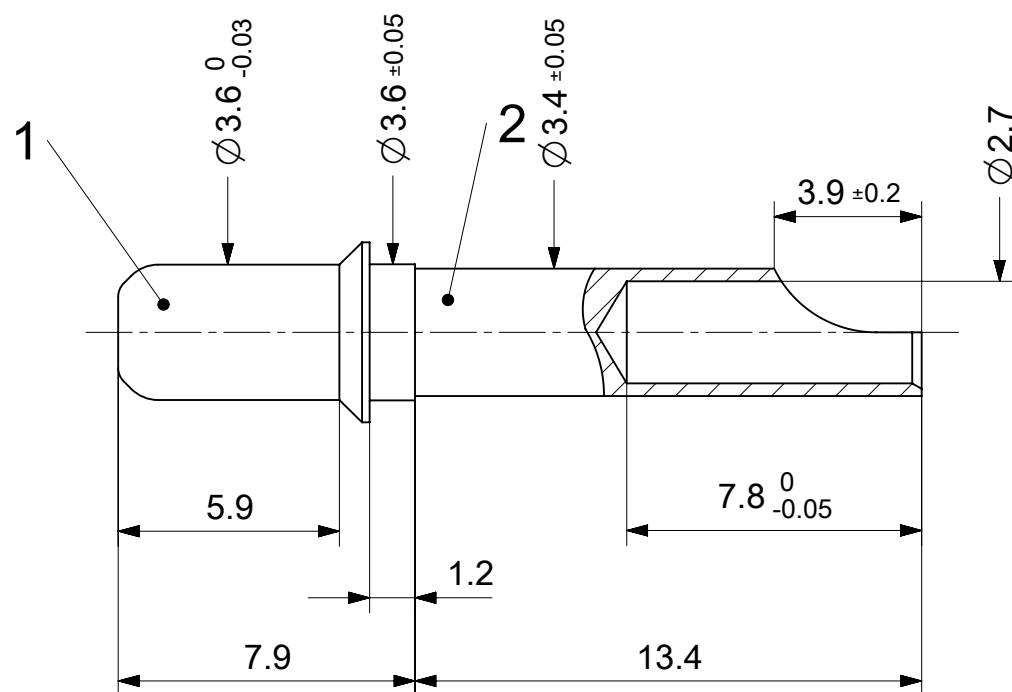


2:1



RoHS compliant  
by exemption

1731121230	FMP146P103I	103
1731121231	FMP146P180I	180
Material Number	FCT Part Number	Material + Finish See extra sheet

UNLESS OTHERWISE SPECIFIED DIMENSIONS FOR REFERENCE ONLY				REPLACEMENT FOR DOCUMENT NUMBER: FMP146P_I			
FUNCTIONAL SYMBOLS	THIS DRAWING CONTAINS INFORMATION THAT IS PROPRIETARY TO MOLEX ELECTRONIC TECHNOLOGIES, LLC AND SHOULD NOT BE USED WITHOUT WRITTEN PERMISSION						
	DIMENSION UNITS	SCALE	CURRENT REV DESC:				
$\frac{F}{A} = 0$	mm	5:1	<p>EC NO: 686704          DRWN: VLOKESHA 2021/04/07          CHK'D: MTEUBEL 2021/12/02          APPR: MTEUBEL 2021/12/02</p> <p>INITIAL REVISION:          DRWN: VLOKESHA 2021/04/07          APPR: MTEUBEL 2021/12/02</p>				
GENERAL TOLERANCES (UNLESS SPECIFIED)							
$\frac{F}{E} = 0$	ANGULAR TOL $\pm$ °						
$\frac{F}{P} = 0$	4 PLACES	$\pm$					
DIVISIONAL SYMBOLS	3 PLACES	$\pm$					
	2 PLACES	$\pm$	PRODUCT CUSTOMER DRAWING				
	1 PLACE	$\pm$	DOCUMENT NUMBER		DOC TYPE	DOC PART	REVISION
	0 PLACES	$\pm$	1731121230		PSD	000	A
DRAFT WHERE APPLICABLE MUST REMAIN WITHIN DIMENSIONS		FIRST ANGLE PROJECTION	DRAWING	SERIES	MATERIAL NUMBER	CUSTOMER	SHEET NUMBER
			A4-SIZE	173112	SEE TABLE	GENERAL MARKET	1 OF 1

DOCUMENT STATUS	P1	RELEASE DATE	2021/12/02	10:15:21
-----------------	----	--------------	------------	----------