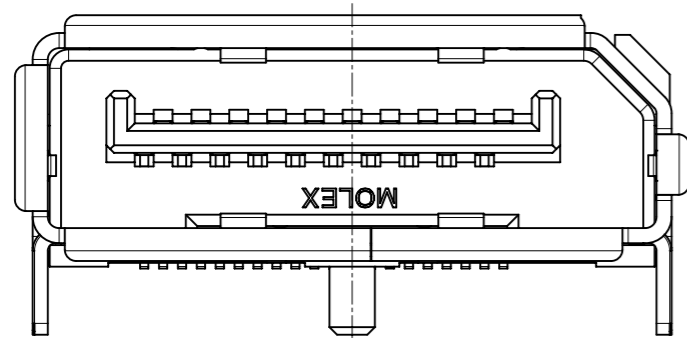
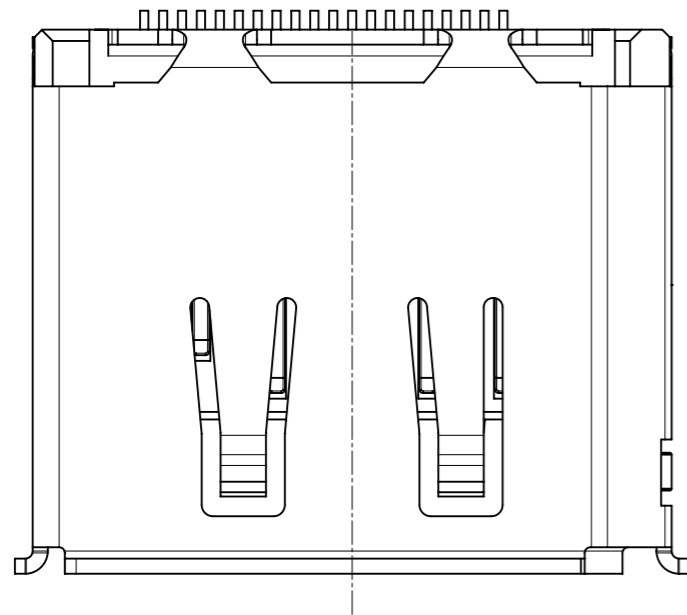
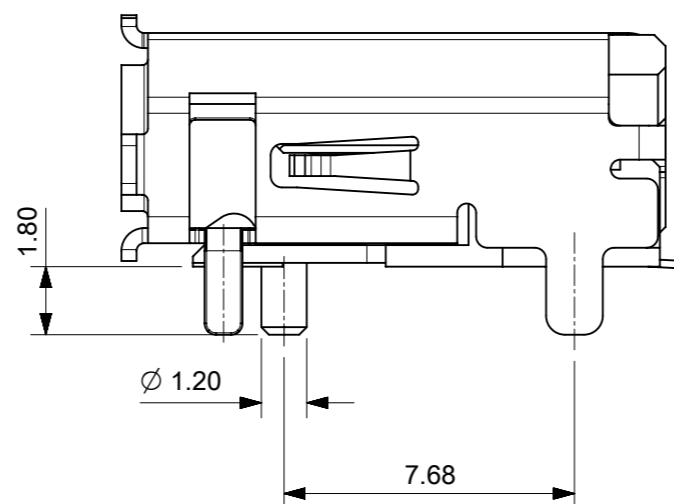
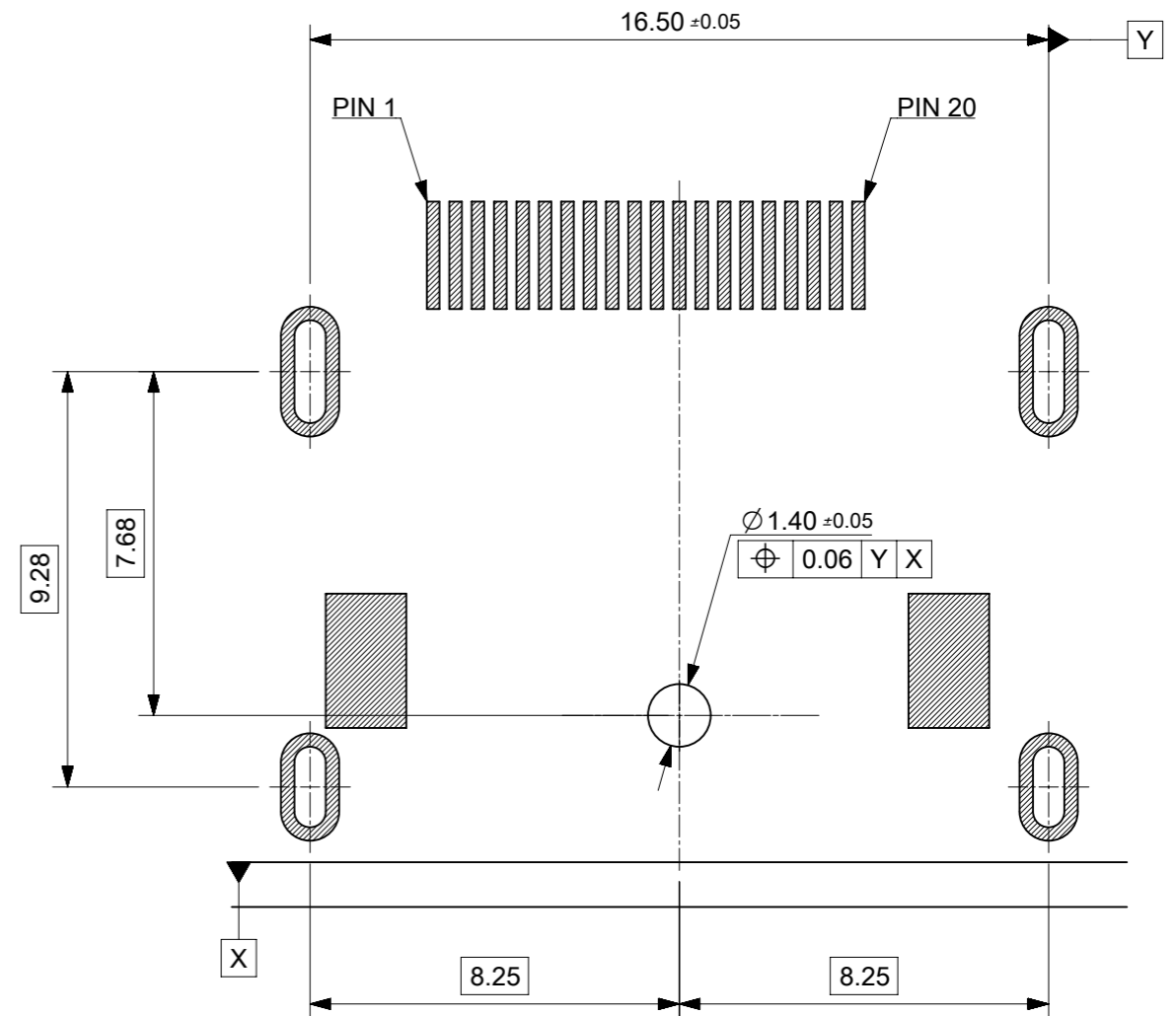


P/N	POST	PLATING ON CONTACT AREA	PLATING ON SOLDEING TAIL
105019-0007	WITHOUT	SEE NOTE 2(1)	SEE NOTE 2(b)
105019-0008	WITHOUT	SEE NOTE 2(2)	SEE NOTE 2(b)



WITH POST

NOTES:
1. UNSPECIFIED DIMENSION ARE SAME AS SHEET1



THIS DRAWING CONTAINS INFORMATION THAT IS PROPRIETARY TO MOLEX ELECTRONIC TECHNOLOGIES, LLC AND SHOULD NOT BE USED WITHOUT WRITTEN PERMISSION		CURRENT REV DESC: OBSOLETE PART NO.		molex	
DIMENSION UNITS	SCALE				
mm	5:1			1.0MM PITCH DISPLAY PORT REVERSE TYPE R/A RECEPTACLE	
GENERAL TOLERANCES (UNLESS SPECIFIED)		EC NO: 632260		PRODUCT CUSTOMER DRAWING	
ANGULAR TOL	± 2.0 °	DRWN: RPRABHUM	2020/02/10	DOCUMENT NUMBER	
4 PLACES	±	CHK'D: GGA	2020/02/28	SD-105019-001	
3 PLACES	±	APPR: GGA	2020/02/28	DOC TYPE	DOC PART
2 PLACES	± 0.25	INITIAL REVISION:		PSD	001
1 PLACE	± 0.25	DRWN: HHE	2007/05/12	REVISION	
0 PLACES	±	APPR: JNCHEN	2007/05/12	F	
DRAFT WHERE APPLICABLE MUST REMAIN WITHIN DIMENSIONS		THIRD ANGLE PROJECTION	DRAWING	SERIES	MATERIAL NUMBER
			A3-SIZE	105019	SEE TABLE
				CUSTOMER	SHEET NUMBER
				GENERAL MARKET	2 OF 2