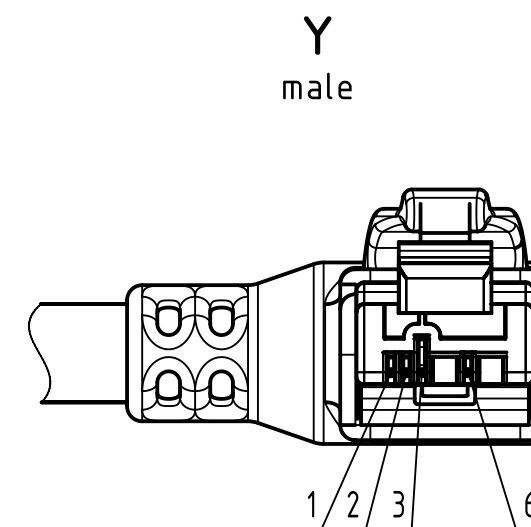
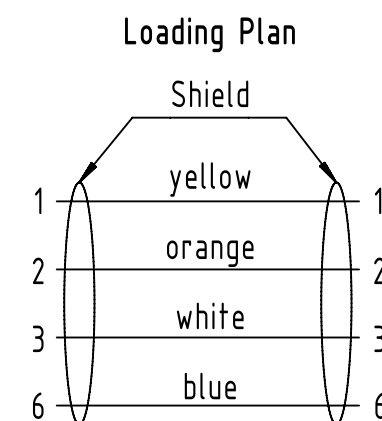
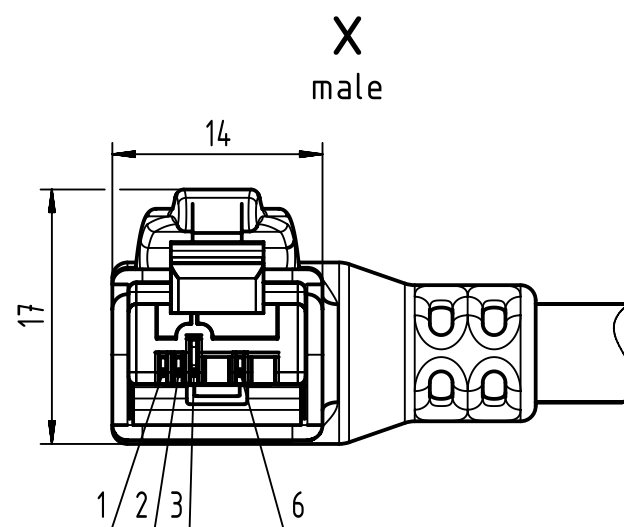
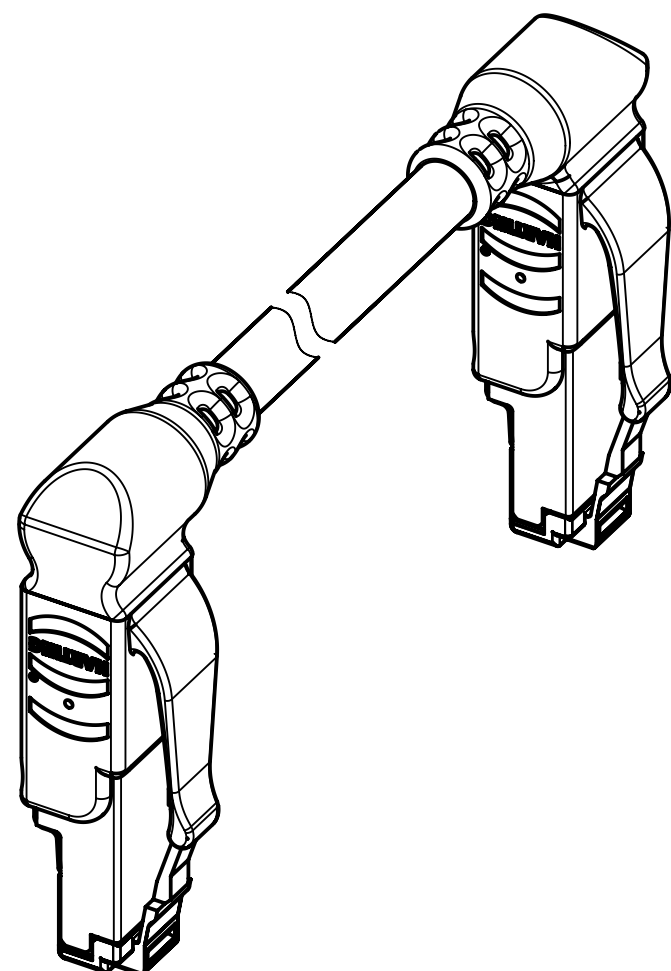
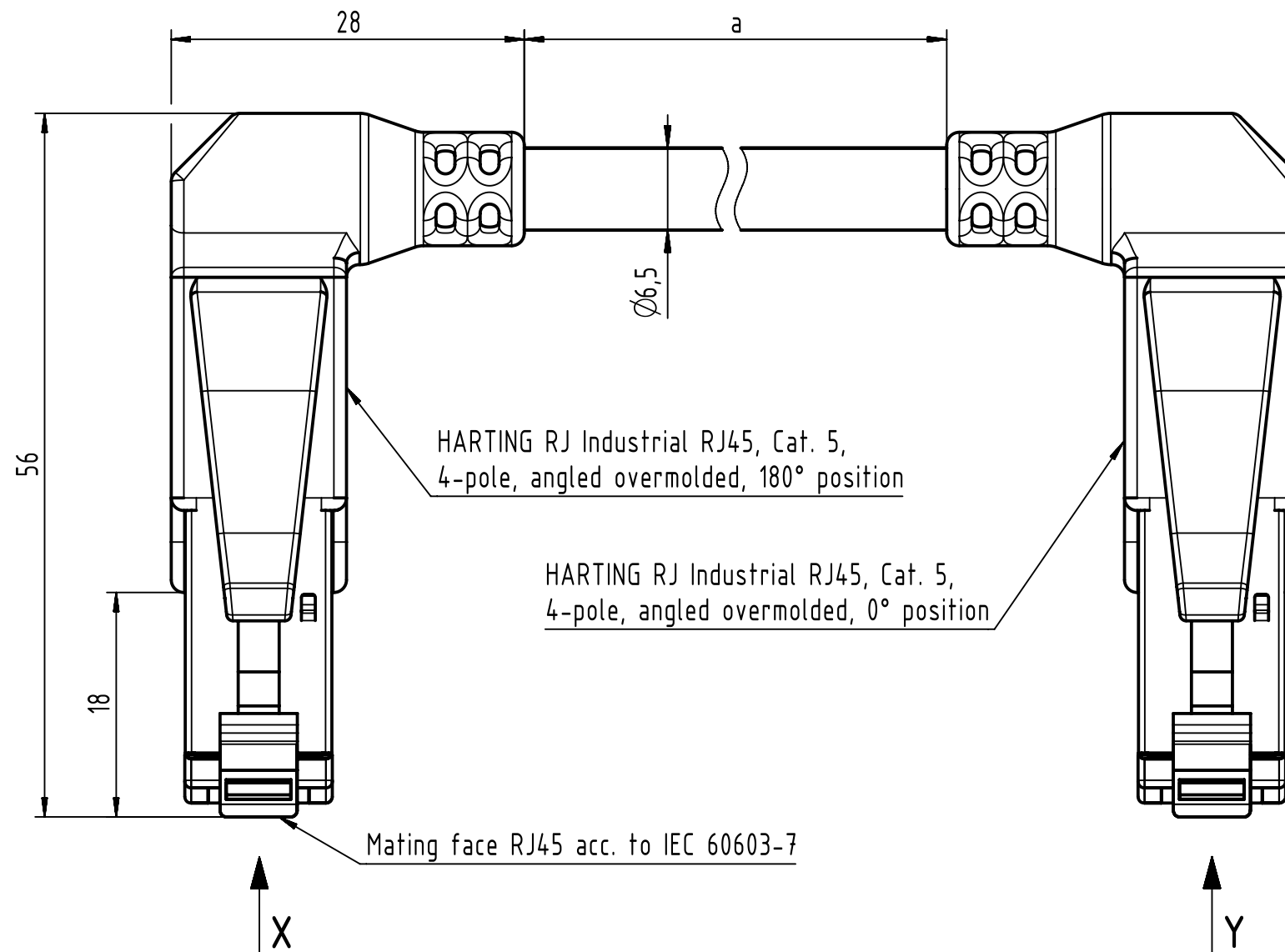


Connector Location A


Connector Location B



- Protection level: IP20
- Temperature range: -40°C ... +70°C

	All Dimensions in mm	Tech. Character.	Free size tol.	According to production drawing	
	All rights reserved Department HCS - RO	Created by BANCIUD Banciu	Inspected by COSTEA Costea	Standardisation MUNTEANV Muntean	Date 2019-08-08
Title RJ Industrial Cable Assembly				State Final Release	
HARTING Customised Solutions D-32339 Espelkamp		Type TB	Number 094705060XX	Doc-Key / ECM-Nr. 100177621/UGD/009/D 500000156257	Rev. D
				Page 1/2	

	1	2	3	4	5	6	7	8
A								
B	46	09470506044	RJ1 Ethernet Stranded Cable, 4xAWG 22/7, PVC, Cat. 5+, green	100	90	89	09470506088	100
	45	09470506043		90	80	88	09470506087	90
	44	09470506042		80	70	87	09470506086	80
	43	09470506041		70	60	86	09470506085	70
	42	09470506040		60	50	85	09470506084	60
	41	09470506039		50	40	84	09470506083	50
	40	09470506038		40	30	83	09470506082	40
	39	09470506037		30	25	82	09470506081	30
	38	09470506091		25	20	81	09470506080	20
	37	09470506036		20	15	80	09470506079	15
	36	09470506035		15	10	79	09470506078	10
	35	09470506034		10	9	78	09470506077	9
	34	09470506033		9	8	77	09470506076	8
	33	09470506032		8	7	76	09470506075	7
C	32	09470506031		7	6	75	09470506074	6
	31	09470506030		6	5	74	09470506073	5
	30	09470506029		5	4	73	09470506072	4
	29	09470506028		4	3	72	09470506071	3
	28	09470506027		3	2	71	09470506070	2
	27	09470506026		2	1.5	70	09470506069	1.5
	26	09470506025		1.5	1	69	09470506068	1
	25	09470506024		1	0.5	68	09470506067	0.5
	24	09470506023		0.5	0.3	67	09470506066	100
D	23	09470506089		0.3	100	66	09470506065	90
	22	09470506022		100	90	65	09470506064	80
	21	09470506021		90	80	64	09470506063	70
	20	09470506020		80	70	63	09470506062	60
	19	09470506019	70	60	62	09470506061	50	
	18	09470506018	60	50	61	09470506060	40	
	17	09470506017	50	40	60	09470506059	30	
	16	09470506016	40	30	59	09470506058	20	
	15	09470506015	30	20	58	09470506057	15	
	14	09470506014	20	15	57	09470506056	10	
	13	09470506013	15	10	56	09470506055	9	
E	12	09470506012	10	9	55	09470506054	8	
	11	09470506011	9	8	54	09470506053	7	
	10	09470506010	8	7	53	09470506052	6	
	9	09470506009	7	6	52	09470506051	5	
	8	09470506008	6	5	51	09470506050	4	
	7	09470506007	5	4	50	09470506049	3	
	6	09470506006	4	3	49	09470506048	2	
	5	09470506005	3	2	48	09470506047	1.5	
	4	09470506004	2	1.5	47	09470506046	1	
	3	09470506003	1.5	1	Cont. no.	Part no.	Type of cable	Dim. a[m]
	2	09470506002	1	0.5	RJ1 Ethernet Trailing Cable, 4xAWG 22/7, PUR, Cat. 5+, green			0.5
F	1	09470506001	0.5					
	Cont. no.	Part no.	Type of cable	Dim. a[m]				

	All rights reserved Department HCS - RO	Created by BANCIUD Banciu	Inspected by COSTEA Costea	Standardisation MUNTEANV Muntean	Date 2019-08-08	State Final Release	Doc-Key / ECM-Nr. 100177621/UGD/009/D 500000156257
HARTING Customised Solutions D-32339 Espelkamp		Title RJ Industrial Cable Assembly		Type TB	Number 094705060XX		Rev. D Page 2/2