

4

3

2

1

THIS DRAWING IS UNPUBLISHED.

RELEASED FOR PUBLICATION

20

LOC

DIST

REVISIONS

© COPYRIGHT 20

BY TYCO ELECTRONICS CORPORATION. ALL INTERNATIONAL RIGHTS RESERVED.

GP

00

P

LTR

DESCRIPTION

DATE

DWN

APVD

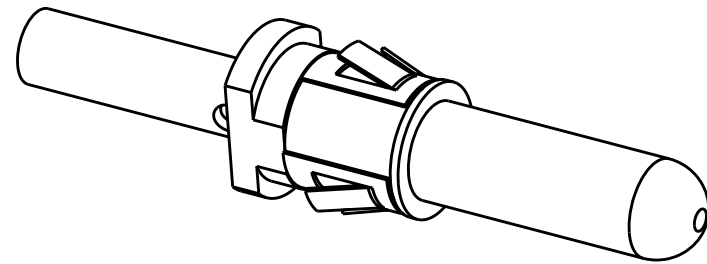
B

REV PER ECO-10-020683

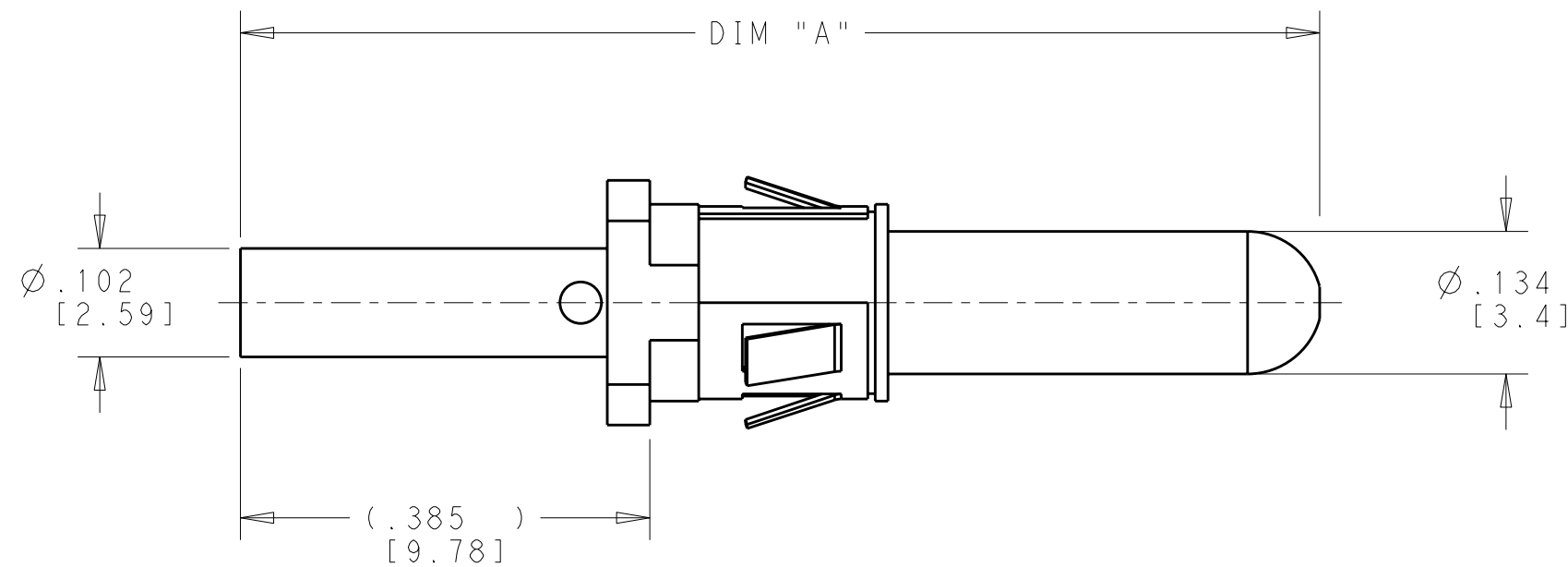
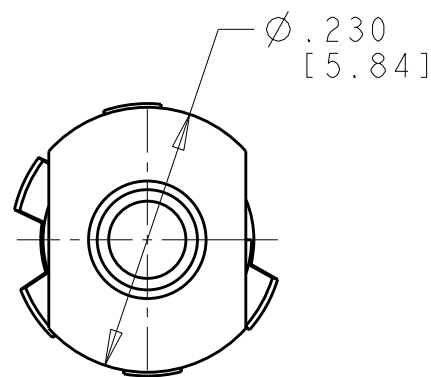
12OCT2010

RG

DO



SCALE 4:1



1 MATERIAL: PIN BODY: COPPER ALLOY RETENTION CLIP: STAINLESS STEEL

2 FINISH: PIN BODY: GOLD PLATE .000030 (0.76µm) MIN THK GOLD OVER .000050 (1.27µm) MIN THK NICKEL

3. WIRE BARREL WILL ACCEPT No.18 - 16 AWG WIRE

4. MATES WITH P/N 1986607-1

1.045 [26.54]	1986617-2
1.015 [25.78]	1986617-1
DIM "A"	PART NO.

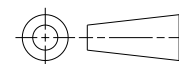
THIS DRAWING IS A CONTROLLED DOCUMENT FOR TYCO ELECTRONICS CORPORATION IT IS SUBJECT TO CHANGE AND THE CONTROLLING ENGINEERING ORGANIZATION SHOULD BE CONTACTED FOR THE LATEST REVISION.

DWN 15DEC2009 R.GRZYBOWSKI  
CHK 15DEC2009 G.STEINHAUER  
APVD 15DEC2009 M.PERCHERKE

Tyco Electronics Harrisburg, PA 17105-3608

DIMENSIONS: INCHES [mm]

TOLERANCES UNLESS OTHERWISE SPECIFIED:



0 PLC ±-  
1 PLC ±-  
2 PLC ±.02 [0.5]  
3 PLC ±.010 [0.25]  
4 PLC ±-  
ANGLES ±-

PRODUCT SPEC -  
APPLICATION SPEC -  
WEIGHT -

NAME PIN, POWER MODIFIED 8 - 16 AWG

MATERIAL -

FINISH -

CUSTOMER DRAWING

SIZE A3 CAGE CODE 00779 DRAWING NO C-1986617 RESTRICTED TO -

SCALE 6:1 SHEET 1 OF 1 REV B