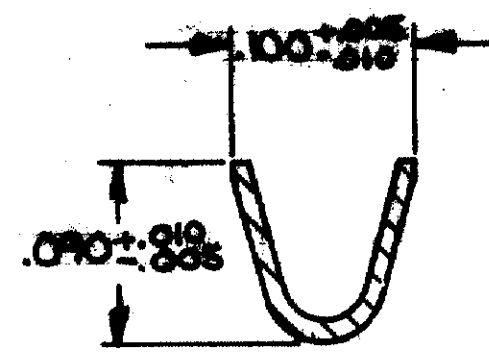
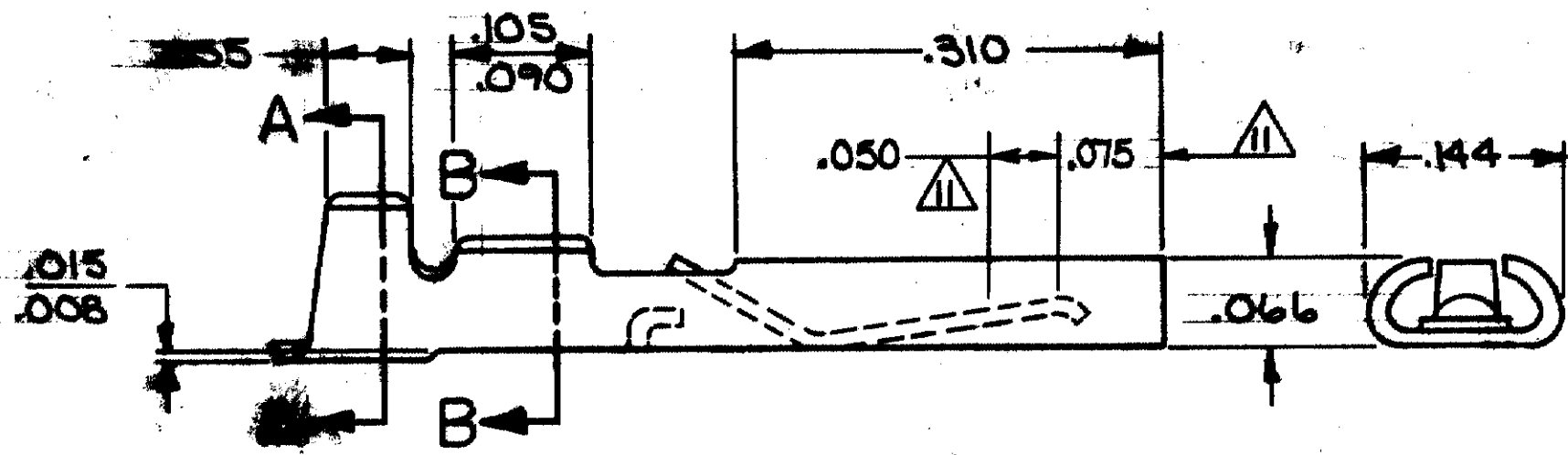
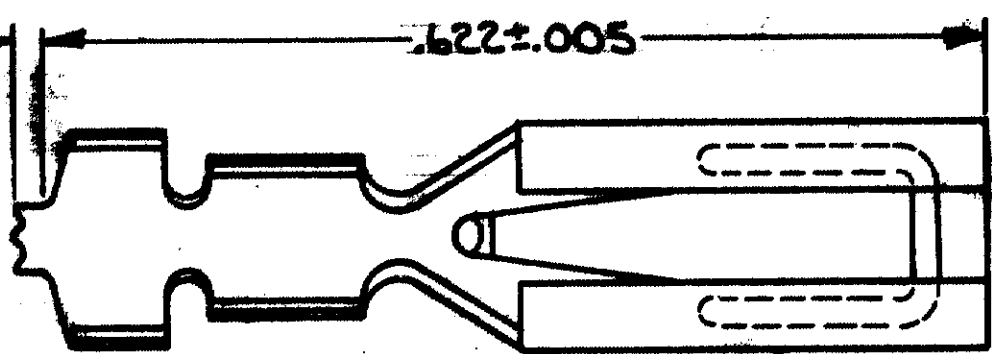
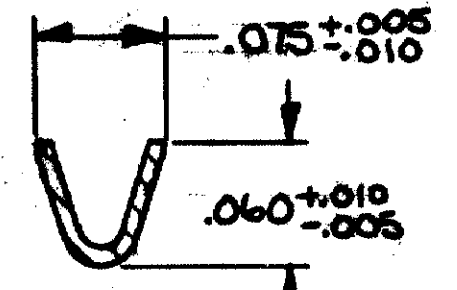


© COPYRIGHT 1981 BY AMP INCORPORATED, HARRISBURG, PA. ALL INTERNATIONAL RIGHTS RESERVED. AMP INCORPORATED PRODUCTS COVERED BY U. S. AND FOREIGN PATENTS AND/OR PATENTS PENDING.

				LOC <i>DF</i>	DIST <i>HO</i>
REVISIONS					
P	F	ZONE	LTR	DESCRIPTION	DATE APPROVED
01	✓		O1	REVISED PER 8079 <sup>3P</sup>	5/10/82 EAM
✓	M		P	OBS-2, 4, 5, 7 & 4 OF 0949	2P 11-88 JW



SECT A-A



SECT B-B

- 1 MAT'L: PHOS. BRONZE
- 2 .000015 GOLD OVER .000030 NICKEL IN CONTACT AREA.
- 3 .000030 GOLD OVER .000030 NICKEL IN CONTACT AREA.
- 4 .000050 GOLD OVER .000030 NICKEL IN CONTACT AREA.
- 5 .000100 TIN OVER .000030 NICKEL ON WIRE BARREL.
- 6 CUT-OFF TAB FOR LOOSE PIECE PARTS IS .005-.020.
- 7 INSUL. RANGE: .030-.060 DIA.
- 8 WIRE RANGE: \*28 THRU \*24.
- 9. FOR CRIMPING INFORMATION SEE SPEC.# 108-9201.
- 10. FOR SUPPLEMENTAL SPECIFICATIONS SEE #108-9004.
- 11 THE GOLD COVERED AREA WILL BE THE .125 BAND. THE GOLD THICKNESS IS TO BE MEASURED IN THE .050 WIDE BAND.
- 12 OBS PART NO.

531587-7	12	8	7	4	5	12	531587-4
531587-6		8	7	3	5		531587-3
531587-5	12	8	7	2	5	12	531587-2
L.P. P/N	WIRE RANGE	INSULATION RANGE	FINISH	PART NO			

UNLESS OTHERWISE SPECIFIED DIMENSIONS ARE IN INCHES. TOLERANCES ON DECIMALS	CONTRACT NO	AMP   AMP INCORPORATED Harrisburg, Pa.	
	DR <i>Wilson 3-2-81</i>	NAME AMP BLADE II	
	CHK <i>D.X. Kelly 3-3-81</i>	RECEPTACLE CONTACT	
	APPD <i>H. Sullivan 3-4-81</i>	SIZE <b>B</b>	CODE IDENT NO 00779
MATERIAL 1	APPD <i>E. Robbins 3-5-81</i>	SCALE 8-	SHEET OF
FINISH 2 3 4 5	DESN APPD		
	OTHER APPD		