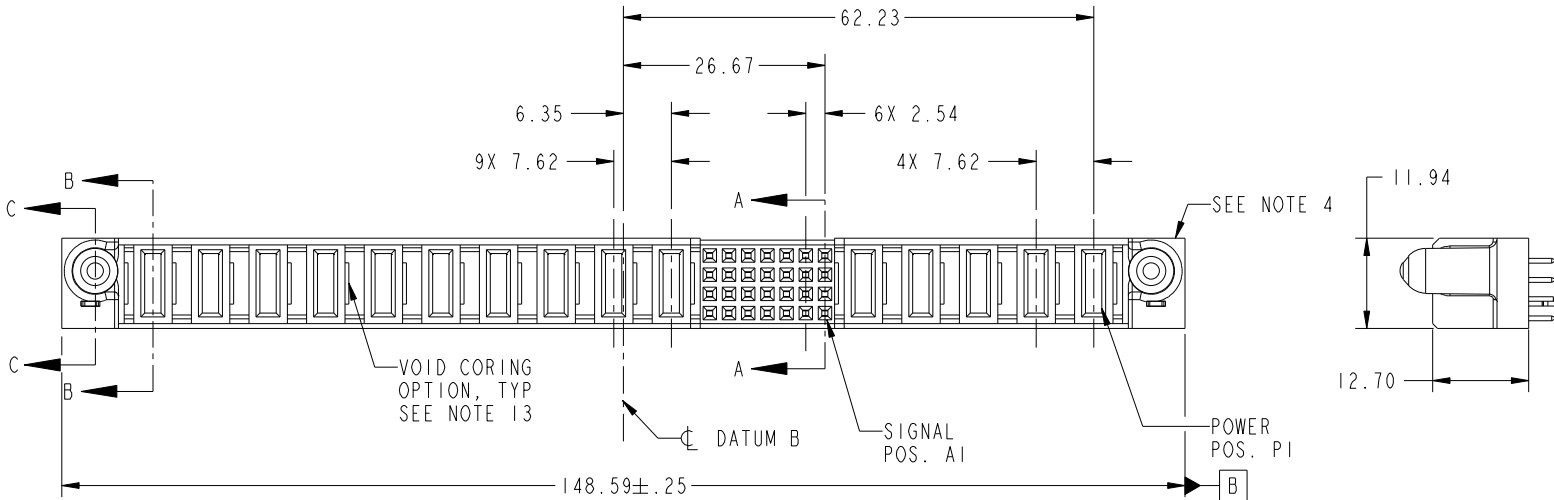


Tous droits strictement réservés. Reproduction ou communication a des tiers interdite sous quelque forme que ce soit sans autorisation écrite du propriétaire. Propriété de c.FCI. Droits de reproduction FCI.

All rights strictly reserved. Reproduction or issue to third parties in any form whatever is not permitted without written authority from the proprietor. Property of FCI. Copyright FCI.



PRODUCT NO. 51940-058-- NOTE: 3	ROWS DCBA	POWER											SIGNAL					POWER					E1	
		E2	P15	P14	P13	P12	P11	P10	P9	P8	P7	P6	7	6	5	4	3	2	1	P5	P4	P3		P2
			PD	PD	PD	PD	PA	PD	PD	PD	PD	PD	EEEEEEEE	EEEEEEEE	EEEEEEEE	EEEEEEEE	EEEEEEEE	EEEEEEEE	PD	PD	PD	PD	PD	



CODE	DIM "M" MATING LENGTH	CONTACT TYPE
E	[N/A]	SIGNAL
PA	[1.07]	POWER
PD	[2.34]	POWER
HA	[N/A]	HOLD-DOWN

mat'l code				SEE NOTE		tolerances unless otherwise specified		CUSTOMER		 www.fciconnect.com	
lir	ecn no.	dr	date	linear	0.X ± 0.5	COPY		projection		title	
A	V03-0977	MEM	9/4/03	0.XXX ± 0.25	MM				5ACP + 28S + 10ACP VERTICAL SOLDER RECEPT		
B	V03-1007	MEM	9/8/03	angles	0° ± 2°	product family		PwrBlade		code	
C	V03-1122	TAB	10/16/03	dr	M. MOSTOLLER	9/4/03		size		213	
D	DG05-0490	CS	11/22/05	engr	M. MOSTOLLER	9/4/03		dwg no		sheet	
E	DG07-0498	JW	09/13/08	chr	H. BREWBAKER	9/4/03		A		1 of 4	
				appd	M. MOSTOLLER	9/4/03		51940-058			
sheet index	revision sheet	E	E	E	E						
		1	2	3	4						

B

B

1 | 2

Pro/E

PDM: Rev: E

STATUS: Released

Printed: Dec 20, 2010

cage code 2856

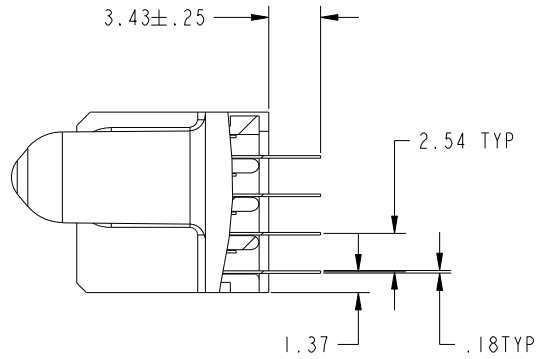
4

Tous droits strictement reserves. Reproduction ou communication a des tiers interdite sous quelque forme que ce soit sans autorisation ecrite du proprietaire. Propriete de c FCI. Droits de reproduction FCI.

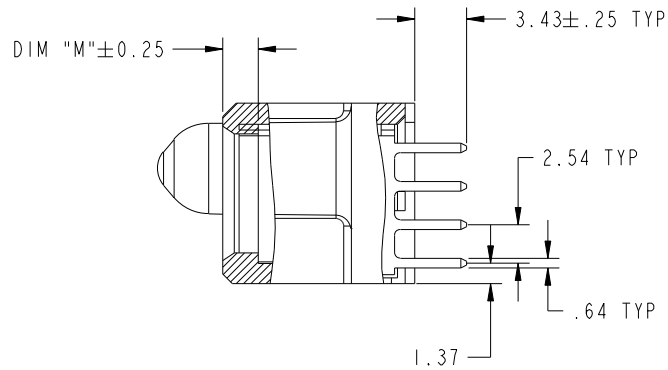
All rights strictly reserved. Reproduction or issue to third parties in any form whatever is not permitted without written authority from the proprietor. Property of FCI. Copyright FCI.



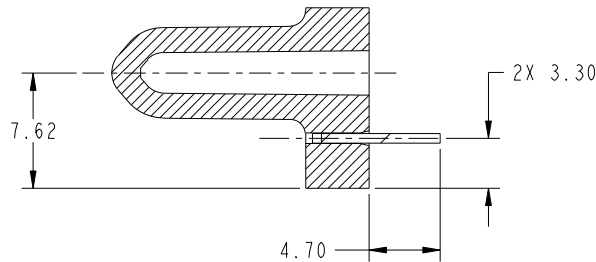
PRODUCT NUMBER
51940-058--
NOTE: 3



SECTION A-A
SCALE 2:1



SECTION B-B
SCALE 2:1



SECTION C-C
SCALE 2:1

mat'l code		SEE NOTE		tolerances unless otherwise specified		CUSTOMER		www.fciconnect.com	
lfr	ecn no.	dr	date	linear	0.X ± 0.5	COPY		title	
E				linear	0.XX ± 0.25	projection		5ACP + 28S + 10ACP VERTICAL SOLDER RECEPT	
				angles	0.XXX ± 0.10			product family	
				dr	0° ± 2°			PwrBlade	
				enrg	M. MOSTOLLER 9/4/03	MM		code	
				enrg	M. MOSTOLLER 9/4/03	1:1		213	
				chr	H. BREWBAKER 9/4/03	A		sheet	
				appd	M. MOSTOLLER 9/4/03	51940-058		2	
sheet index	revision sheet								

cage code 28506

Pro/E

PDM: Rev: E

STATUS: Released

Printed: Dec 20, 2010

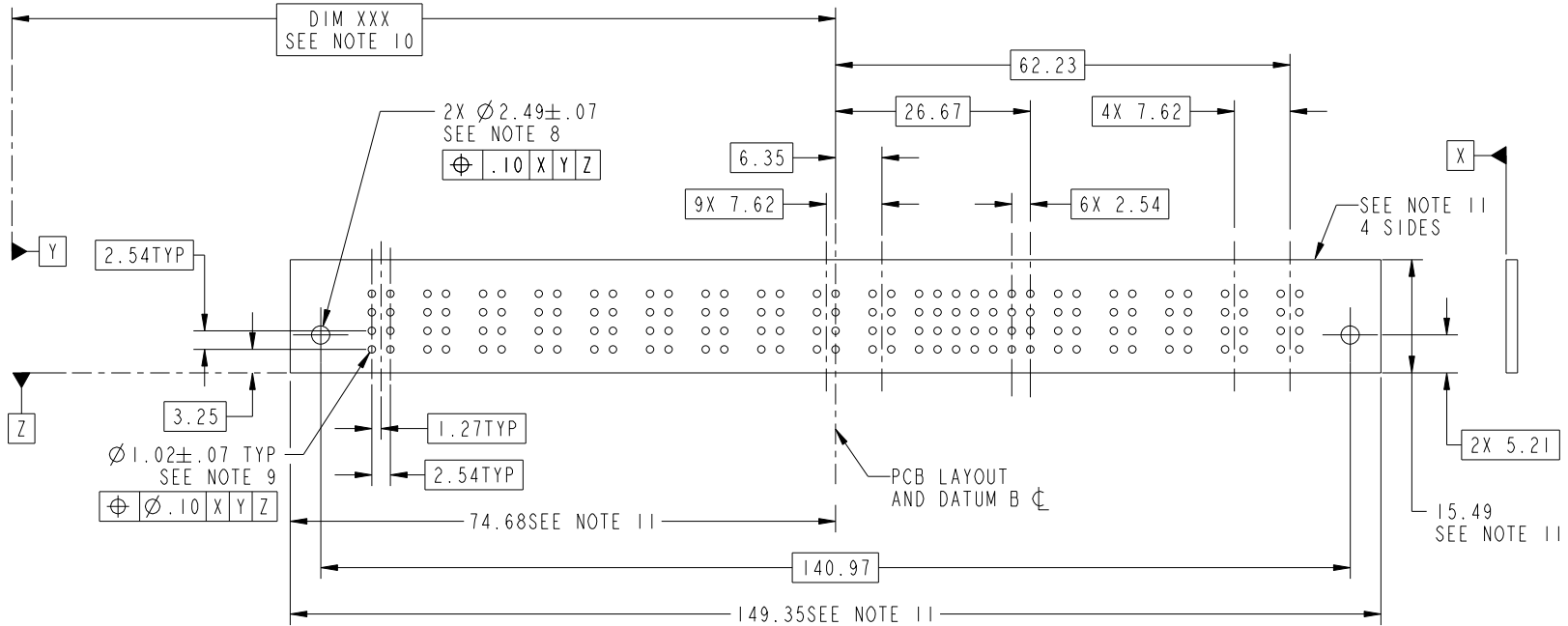
Tous droits strictement réservés. Reproduction ou communication a des tiers interdite sous quelque forme que ce soit sans autorisation écrite du propriétaire. Propriété de c.FCI. Droits de reproduction FCI.



All rights strictly reserved. Reproduction or issue to third parties in any form whatever is not permitted without written authority from the proprietor. Property of FCI. Copyright FCI.

PRODUCT NUMBER

51940-058--
NOTE: 3



mat'l code		SEE NOTE		tolerances unless otherwise specified		CUSTOMER		 www.fciconnect.com	
lir	ecn no.	dr	date	linear	0.X ± 0.5	COPY		title	
E				linear	0.XX ± 0.25	projection		5ACP + 28S + 10ACP	
				angles	0.XXX ± 0.10			VERTICAL SOLDER RECEPT	
				dr	0° ± 2°			product family	
				engr	M. MOSTOLLER 9/4/03	MM		PwrBlade	
				chr	M. MOSTOLLER 9/4/03			code	
				appd	H. BREWBAKER 9/4/03	1:1		213	
					M. MOSTOLLER 9/4/03	A		sheet	
sheet index	revision sheet					size		3	
						dwg no		51940-058	

cage code 28506

Pro/E

PDM: Rev: E

STATUS: Released

Printed: Dec 20, 2010

Tous droits strictement reserves. Reproduction ou communication a des tiers interdite sous quelque forme que ce soit sans autorisation ecrite du proprietaire. Propriete de c.FCI. Droits de reproduction FCI.



All rights strictly reserved. Reproduction or issue to third parties in any form whatever is not permitted without written authority from the proprietor. Property of FCI. Copyright FCI.

1 | 2

3

4

PRODUCT NUMBER

51940-058--
NOTE: 3

NOTES:

1. DIMENSIONS AND TOLERANCES ARE IN ACCORDANCE WITH ASME Y14.5M, 1994 UNLESS OTHERWISE SPECIFIED.

CONNECTOR NOTES:

2 HOUSING MATERIAL: UL 94 V-0 GLASS FILLED
HIGH-TEMP THERMOPLASTIC
POWER CONTACT MATERIAL: COPPER ALLOY
SIGNAL PIN MATERIAL: COPPER ALLOY

3. PLATING:
SEE ITEM 5 & 6 IN PRINT 10064183 FOR PLATING SPEC OF 51940-058; 51940-058LF RESPECTIVELY.

4 MANUFACTURER'S NAME, P/N, AND DATE CODE TO APPEAR ON THIS SURFACE.

5. PRODUCT SPECIFICATION GS-12-149.
APPLICATION SPECIFICATION BUS-20-067.

6. PACKAGED IN TRAYS.

PCB NOTES:

7. ALL HOLE DIAMETERS ARE FINISHED HOLE SIZE.

8 MOUNTING HOLES, WHERE APPLICABLE, ARE UNPLATED.

9 $\varnothing 1.151 \pm 0.025$ DRILLED HOLES PLATED WITH
0.008 MIN SnPb OR Sn OVER 0.03
TO 0.08 Cu PLATING TO ACHIEVE
 $\varnothing 1.02 \pm 0.07$ HOLE.

10 "DIM XXX" TO BE DETERMINED BY THE CUSTOMER.

11 CONNECTOR KEEP-OUT ZONE.

12 A Δ SYMBOL WILL BE NEXT TO ANY DIMENSION, VIEW, OR NOTE WHICH HAS BEEN MODIFIED WITH THE CURRENT DRAWING REVISION.

13. THE VOID CORING IN BETWEEN POWER MODULES, SIGNAL MODULES AND END MODULES ARE OPTIONAL AND THE SHAPE MAY BE DIFFERENT FOR OPTIMIZING THE MOLDING PROCESS. THE VOID CORING WILL NOT EFFECT TO PRODUCT FUNCTION.

mat'l code		SEE NOTE		tolerances unless otherwise specified		CUSTOMER		www.fciconnect.com	
lir	ecn no.	dr	date	linear	0.X ±0.5		COPY		title 5ACP + 28S + 10ACP VERTICAL SOLDER RECEPT
E					0.XX ±0.25		projection		
					0.XXX ±0.10				
				angles	0° ±2°				product family PwrBlade code 213 sheet 4
				dr	M. MOSTOLLER	9/4/03	MM		
				enrg	M. MOSTOLLER	9/4/03			
				chr	H. BREWBAKER	9/4/03	scale		
				appd	M. MOSTOLLER	9/4/03	1:1		
sheet index	revision sheet								size A 51940-058

A

A

B

B

1 | 2

Pro/E

PDM: Rev: E

STATUS: Released

Printed: Dec 20, 2010

cage code 28516