

5

4

3

2

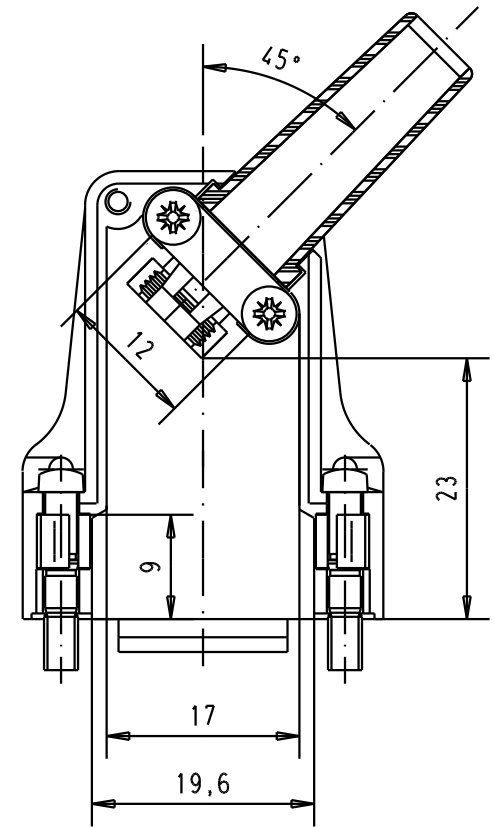
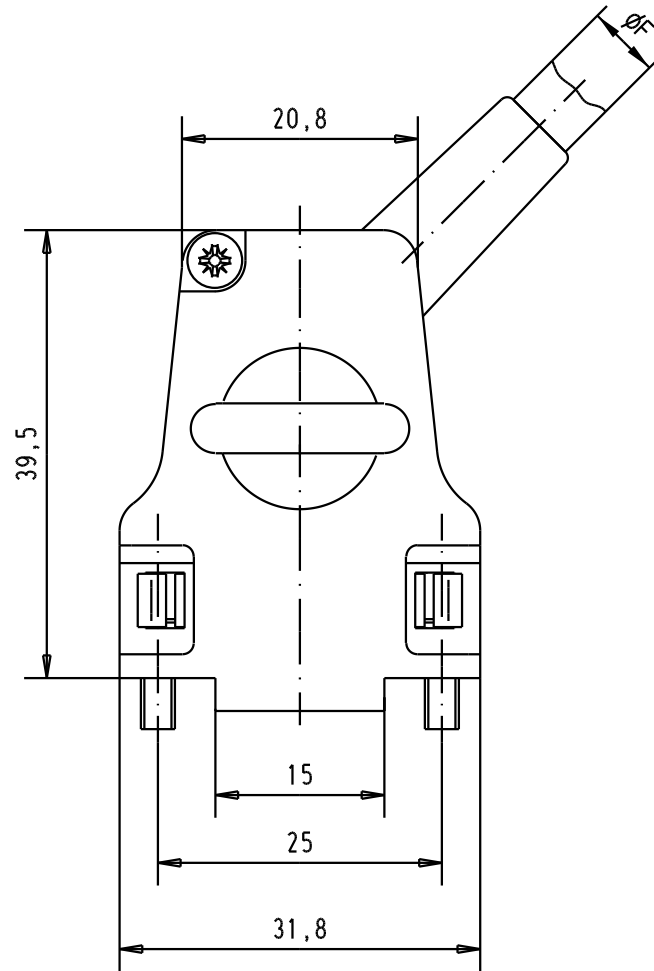
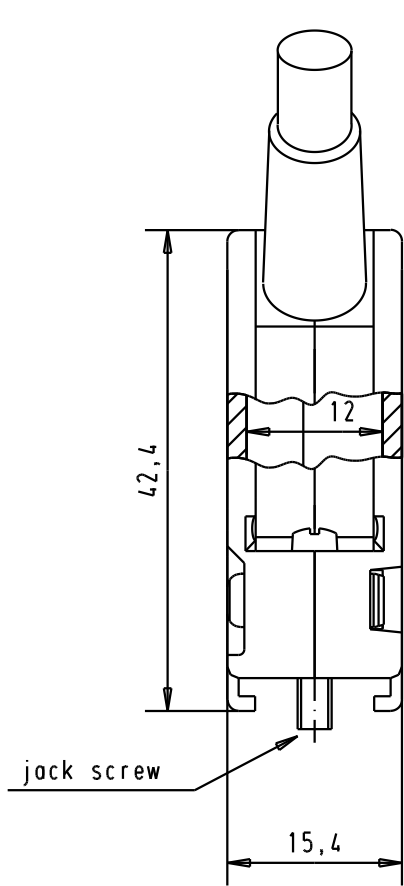
1

D

C

B

A



with rubber bushing:  $\phi_{Fmax}=6,5$   
 without rubber bushing:  $\phi_{Fmin}=3$   
 $\phi_{Fmax}=9,5$

					Dat. Name Detail. 13/09/05 JMDR		All Dim. in mm Orig. Size DIN A 4	D-Sub, Right angled metal hood 9 poles	Maßstab/ Scale 1.5:1
					Insp.				
					Stand.				
09 67 009 0335	M3				HARTING EURL F-95972 Paris			TB 0967009033X	Blatt/ Page 2 / 2
09 67 009 0334	4-40 UNC	33096	13/09/05	JMDR					
Part number	Jack screw thread	Mod.	Dat.	Name					