



Input coupler Relay coupler, 1 change-over contact 115 V AC/DC Overall width 6.2 mm screw terminal Thermal current 6A

<b>product brand name</b>	SIRIUS
<b>product category</b>	SIRIUS 3RQ3 coupling relays in slim design
<b>product designation</b>	Coupling relays with relay output (not plug-in)
<b>design of the product</b>	Input coupling link
<b>product type designation</b>	3RQ3
<b>General technical data</b>	
<b>display version LED</b>	Yes
<b>product component</b>	Yes
• relay output	Yes
• semi-conductor output	No
<b>consumed active power</b>	0.5 W
insulation voltage for overvoltage category III according to IEC 60664 with degree of pollution 3 rated value	300 V
<b>surge voltage resistance rated value</b>	4 kV
<b>maximum permissible voltage for safe isolation</b>	
• between control and auxiliary circuit	300 V
<b>percental drop-out voltage related to the input voltage</b>	9.6 %
<b>protection class IP</b>	IP20
<b>shock resistance</b>	
• acc. to IEC 60068-2-27	sinusoidal half-wave 15g / 11 ms
<b>vibration resistance</b>	
• acc. to IEC 60068-2-6	6 ... 150 Hz: 2 g
<b>operating frequency maximum</b>	72 000 1/h
<b>switching behavior</b>	monostable
mechanical service life (switching cycles) typical	10 000 000
<b>thermal current</b>	6 A
<b>reference code acc. to IEC 81346-2</b>	K
<b>Control circuit/ Control</b>	
<b>control supply voltage at AC</b>	
• at 50 Hz rated value	115 V
• at 60 Hz rated value	115 V
<b>control supply voltage frequency</b>	
• 1 rated value	50 Hz
• 2 rated value	60 Hz
<b>control supply voltage at DC</b>	
• rated value	115 V
<b>operating range factor control supply voltage rated value at DC</b>	

<ul style="list-style-type: none"> <li>• initial value</li> <li>• full-scale value</li> </ul>	0.8 1.1
<b>operating range factor control supply voltage rated value at AC at 50 Hz</b>	
<ul style="list-style-type: none"> <li>• initial value</li> <li>• full-scale value</li> </ul>	0.8 1.1
<b>operating range factor control supply voltage rated value at AC at 60 Hz</b>	
<ul style="list-style-type: none"> <li>• initial value</li> <li>• full-scale value</li> </ul>	0.8 1.1
<b>switch ON delay time</b>	
<ul style="list-style-type: none"> <li>• at AC maximum</li> <li>• at DC maximum</li> </ul>	8 ms 6 ms
<b>OFF delay time</b>	17 ms
<b>design of the relay operating mechanism</b>	poled
<b>product component plug-in socket</b>	No
<b>Short-circuit protection</b>	
design of the fuse link for short-circuit protection of the auxiliary switch required	fuse gG: 4 A
<b>Auxiliary circuit</b>	
<b>type of switching contact</b>	Changeover contact
<b>material of switching contacts</b>	AgSnO <sub>2</sub>
number of CO contacts for auxiliary contacts	1
<b>operational current of auxiliary contacts at AC-15</b>	
<ul style="list-style-type: none"> <li>• at 24 V</li> <li>• at 250 V</li> </ul>	3 A 3 A
<b>operational current of auxiliary contacts at DC-13</b>	
<ul style="list-style-type: none"> <li>• at 24 V</li> <li>• at 125 V</li> <li>• at 250 V</li> </ul>	1 A 0.2 A 0.1 A
<b>contact reliability of auxiliary contacts</b>	one incorrect switching operation of 100 million switching operations (17 V, 5 mA)
<b>Main circuit</b>	
<b>type of voltage</b>	AC/DC
<b>Inputs/ Outputs</b>	
<b>property of the output short-circuit proof</b>	No
<b>Outputs</b>	
ampacity of the output relay at AC-15 at 250 V at 50/60 Hz	3 A
<b>ampacity of the output relay at DC-13</b>	
<ul style="list-style-type: none"> <li>• at 24 V</li> <li>• at 125 V</li> <li>• at 250 V</li> </ul>	1 A 0.2 A 0.1 A
<b>Electromagnetic compatibility</b>	
EMC emitted interference acc. to IEC 60947-1	ambience A (industrial sector)
<b>EMC immunity acc. to IEC 60947-1</b>	corresponds to degree of severity 3
<b>conducted interference</b>	
<ul style="list-style-type: none"> <li>• due to burst acc. to IEC 61000-4-4</li> <li>• due to conductor-earth surge acc. to IEC 61000-4-5</li> <li>• due to conductor-conductor surge acc. to IEC 61000-4-5</li> </ul>	2 kV 2 kV 1 kV
<b>field-based interference acc. to IEC 61000-4-3</b>	10 V/m
<b>electrostatic discharge acc. to IEC 61000-4-2</b>	6 kV contact discharge / 8 kV air discharge
<b>Display</b>	
display version as status display by LED	LED green
<b>Connections/ Terminals</b>	
product function removable terminal	No
type of electrical connection for auxiliary and control circuit	screw-type terminals
wire length	

<ul style="list-style-type: none"> <li>• at AC maximum</li> <li>• at DC maximum</li> </ul>	500 m 1 000 m
<b>type of connectable conductor cross-sections</b>	
<ul style="list-style-type: none"> <li>• solid</li> <li>• finely stranded with core end processing</li> <li>• at AWG cables solid</li> </ul>	1x (0.25 ... 2.5 mm <sup>2</sup> ) 1x (0.25 ... 1.5 mm <sup>2</sup> ) 1 x (20 ... 14)
<ul style="list-style-type: none"> <li>• connectable conductor cross-section solid</li> <li>• connectable conductor cross-section finely stranded with core end processing</li> </ul>	0.25 ... 2.5 mm <sup>2</sup> 0.25 ... 1.5 mm <sup>2</sup>
<ul style="list-style-type: none"> <li>• AWG number as coded connectable conductor cross section solid</li> </ul>	20 ... 14
<ul style="list-style-type: none"> <li>• tightening torque with screw-type terminals</li> </ul>	0.5 ... 0.6 N·m

### Installation/ mounting/ dimensions

<b>mounting position</b>	any
<b>fastening method</b>	snap-on mounting
<b>height</b>	93 mm
<b>width</b>	6.2 mm
<b>depth</b>	72.5 mm
<b>required spacing</b>	
<ul style="list-style-type: none"> <li>• with side-by-side mounting               <ul style="list-style-type: none"> <li>— forwards</li> <li>— backwards</li> <li>— upwards</li> <li>— downwards</li> <li>— at the side</li> </ul> </li> <li>• for grounded parts               <ul style="list-style-type: none"> <li>— forwards</li> <li>— backwards</li> <li>— upwards</li> <li>— at the side</li> <li>— downwards</li> </ul> </li> <li>• for live parts               <ul style="list-style-type: none"> <li>— forwards</li> <li>— backwards</li> <li>— upwards</li> <li>— downwards</li> <li>— at the side</li> </ul> </li> </ul>	0 mm 0 mm 0 mm 0 mm 0 mm  0 mm 0 mm 0 mm 0 mm 0 mm  0 mm 0 mm 0 mm 0 mm 0 mm

### Ambient conditions

installation altitude at height above sea level maximum	2 000 m
<ul style="list-style-type: none"> <li>• ambient temperature during operation</li> <li>• ambient temperature during storage</li> <li>• ambient temperature during transport</li> </ul>	-25 ... +60 °C -40 ... +85 °C -40 ... +85 °C
relative humidity during operation	10 ... 95 %

### Certificates/ approvals

<b>General Product Approval</b>	<b>EMC</b>
---------------------------------	------------



<b>Declaration of Conformity</b>	<b>Marine / Shipping</b>	<b>other</b>
----------------------------------	--------------------------	--------------



Further information

Information- and Downloadcenter (Catalogs, Brochures,...)

<https://www.siemens.com/ic10>

Industry Mall (Online ordering system)

<https://mall.industry.siemens.com/mall/en/en/Catalog/product?mlfb=3RQ3038-1AE00>

Cax online generator

<http://support.automation.siemens.com/WW/CAXorder/default.aspx?lang=en&mlfb=3RQ3038-1AE00>

Service&Support (Manuals, Certificates, Characteristics, FAQs,...)

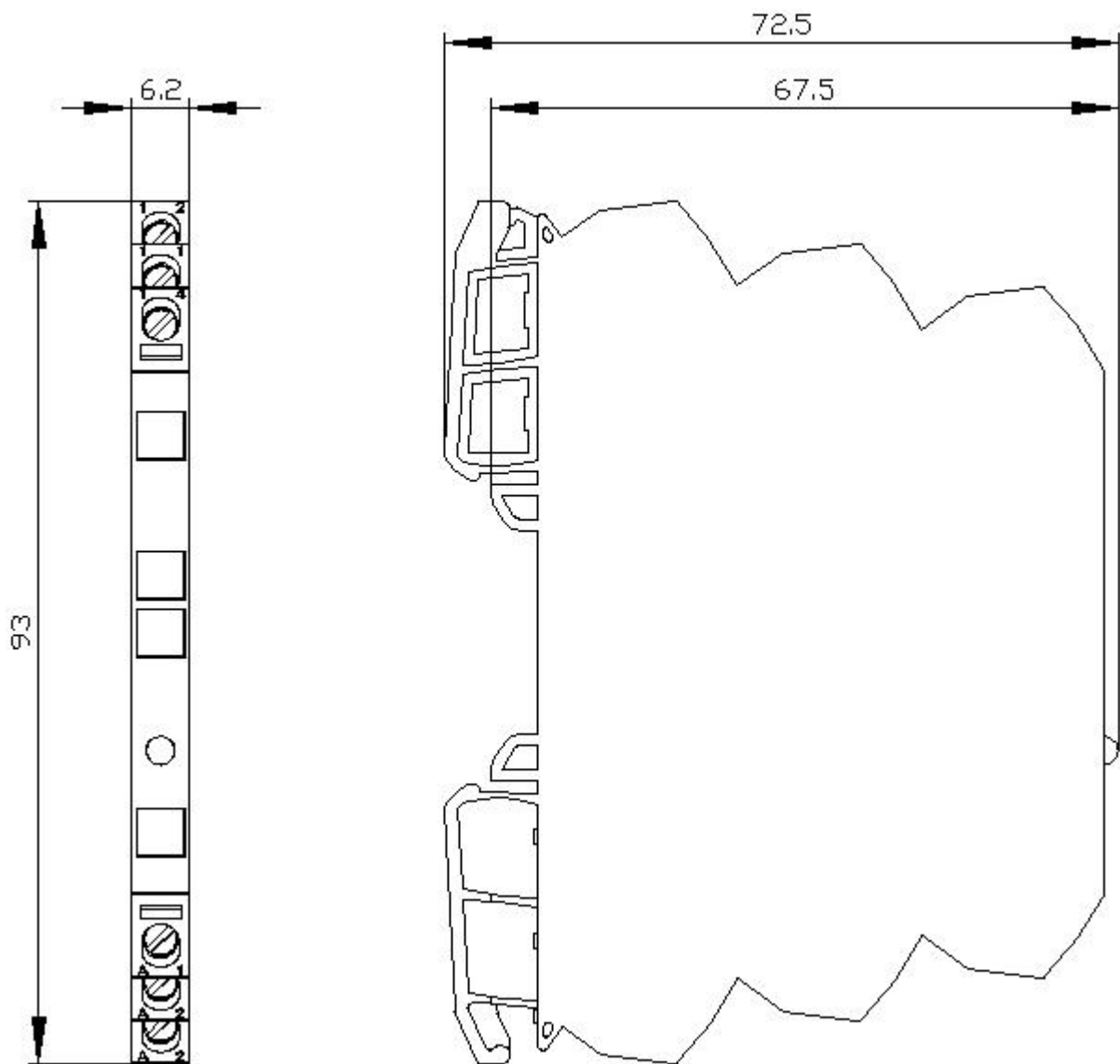
<https://support.industry.siemens.com/cs/ww/en/ps/3RQ3038-1AE00>

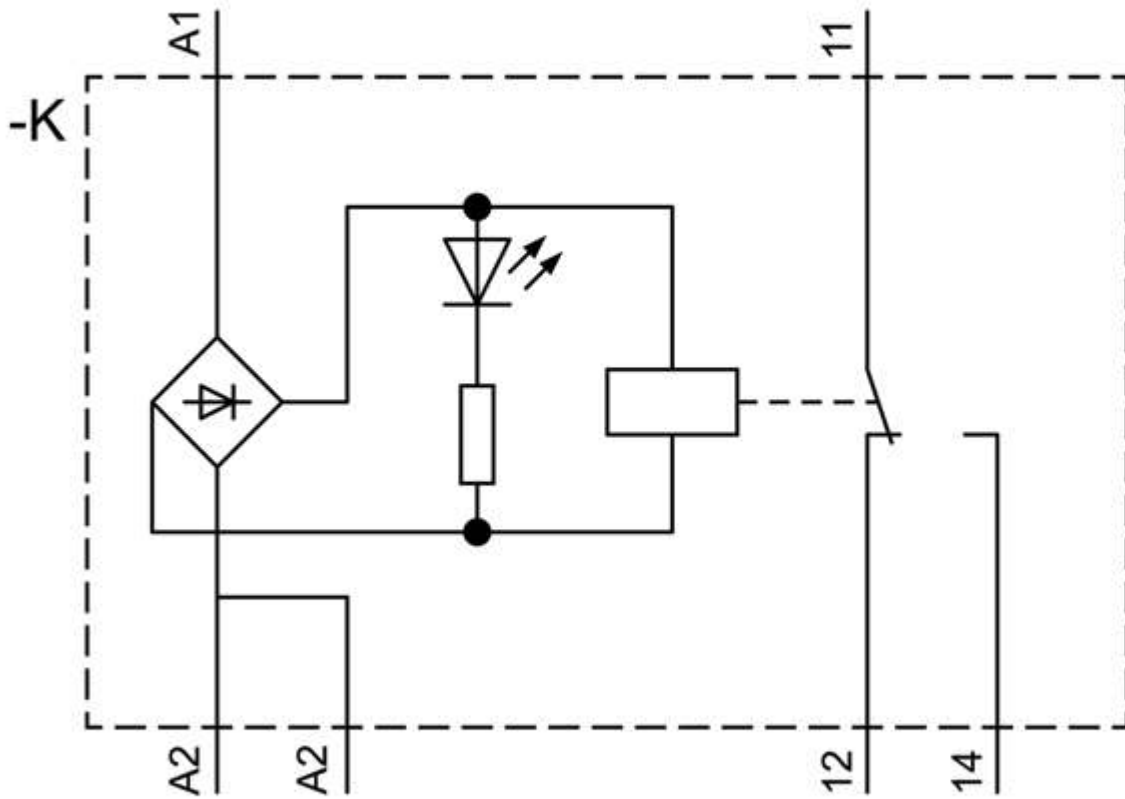
Image database (product images, 2D dimension drawings, 3D models, device circuit diagrams, EPLAN macros, ...)

[http://www.automation.siemens.com/bilddb/cax\\_de.aspx?mlfb=3RQ3038-1AE00&lang=en](http://www.automation.siemens.com/bilddb/cax_de.aspx?mlfb=3RQ3038-1AE00&lang=en)

Characteristic: Derating

<https://support.industry.siemens.com/cs/ww/en/ps/3RQ3038-1AE00/manual>





last modified:

8/11/2020 