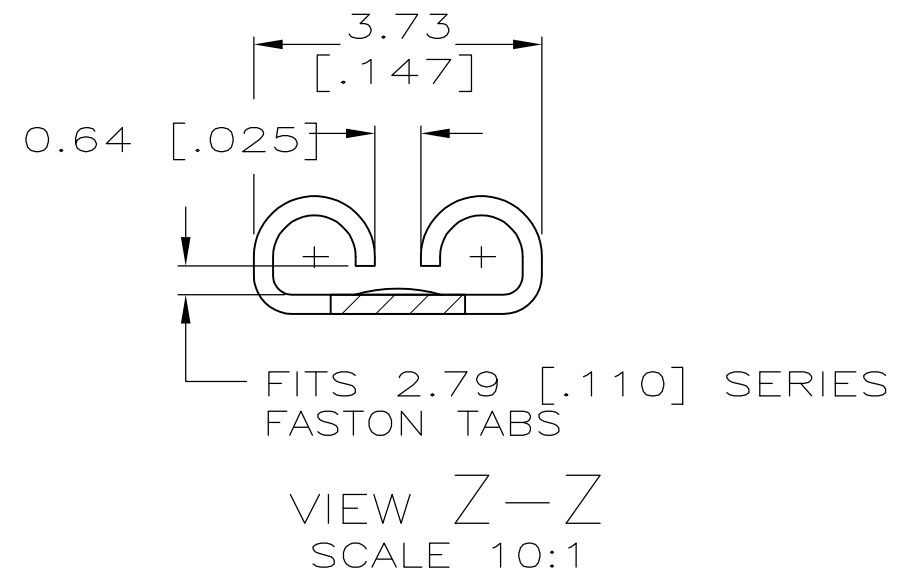
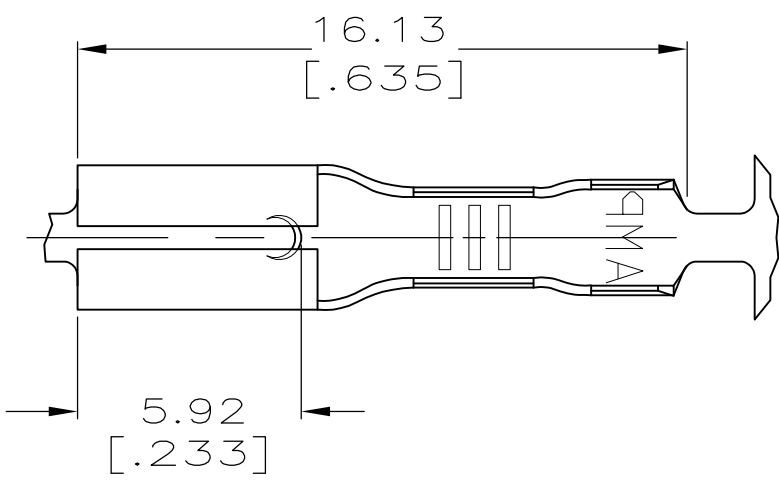
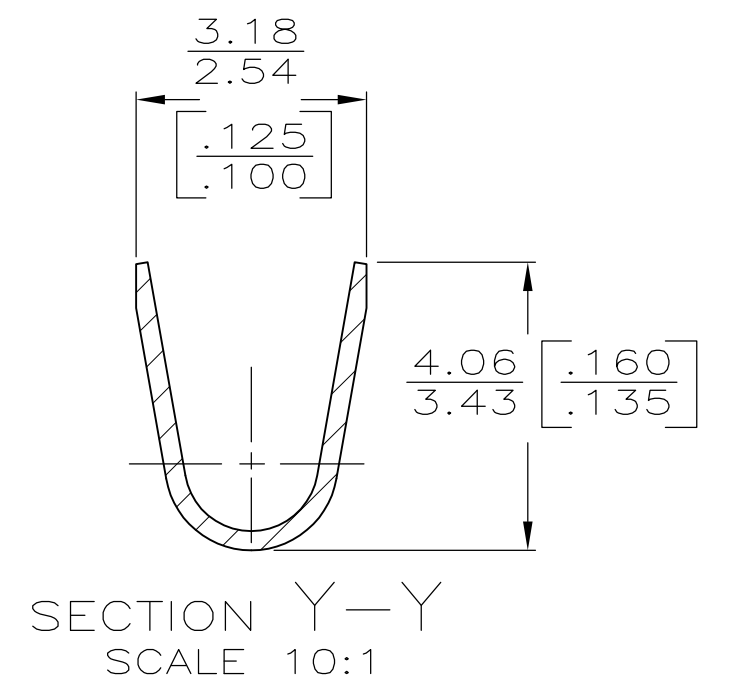
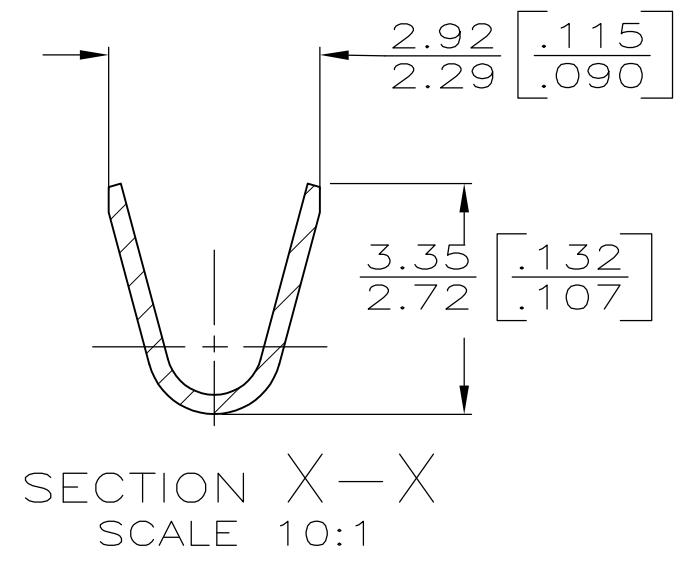
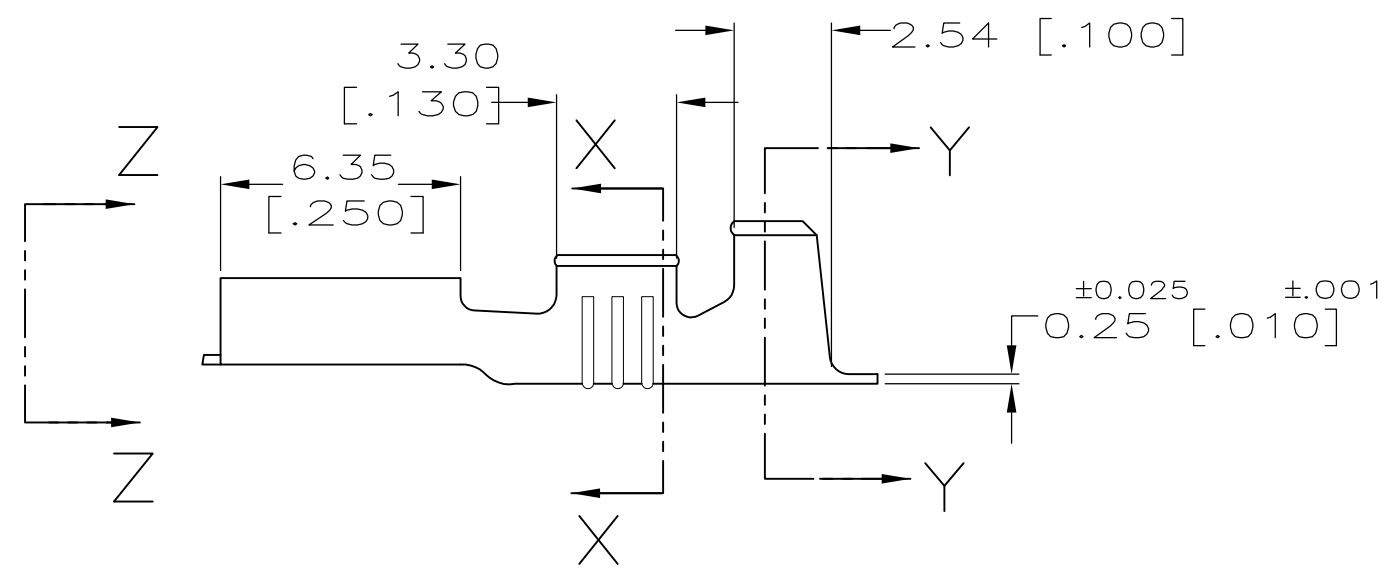


THIS DRAWING IS UNPUBLISHED. RELEASED FOR PUBLICATION
 © COPYRIGHT - By - ALL RIGHTS RESERVED.

LOC	DIST	REVISIONS					
AF	50	P	LTR	DESCRIPTION	DATE	DWN	APVD
		C		REVISED PER ECR-12-013459	27NOV2012	KH	PD



1 CONTINUOUS STRIP ON REELS



1.52-2.54 [.060-.100]	0.5-1.4mm ² [20-16]	0.25 [.010]	62968-1
INSUL RANGE	WIRE SIZE	MATING TAB THK ±0.025 ±[.001]	PART NO

THIS DRAWING IS A CONTROLLED DOCUMENT.		DWN	JR RUTH	1/2/91	TE Connectivity RECEPTACLE, FASTON, 2.79 [.110] SERIES					
DIMENSIONS: mm [INCHES]		CHK	MS FEHER	1/2/91				NAME		
TOLERANCES UNLESS OTHERWISE SPECIFIED:		APVD	C MEYERS	1/2/91				SIZE		
0 PLC ± - 1 PLC ± - 2 PLC ± - 3 PLC ± 0.38 [.015] 4 PLC ± - ANGLES ± -		PRODUCT SPEC		CAGE CODE						
MATERIAL		APPLICATION SPEC		DRAWING NO			RESTRICTED TO			
BRASS		FINISH		WEIGHT			—			
PRE-TIN		CUSTOMER DRAWING			A300779 C-62968		SCALE 5:1			
					SHEET 1 OF 1		REV C			