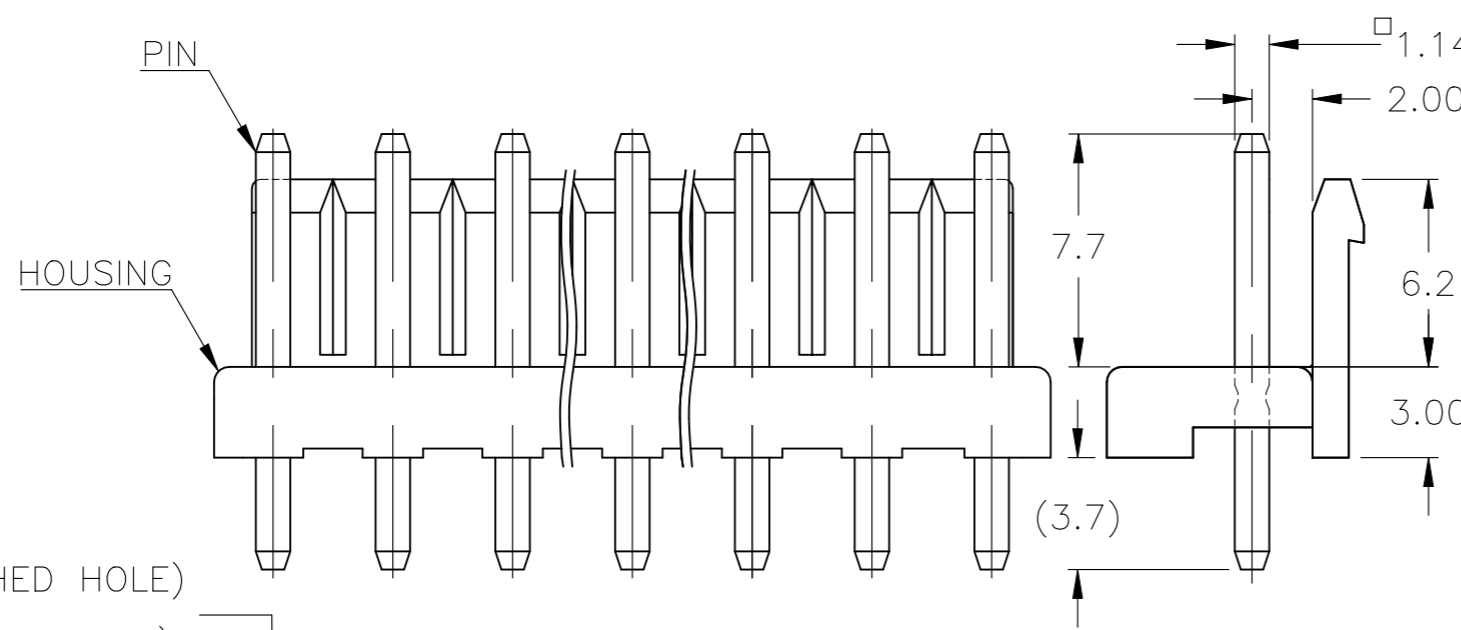
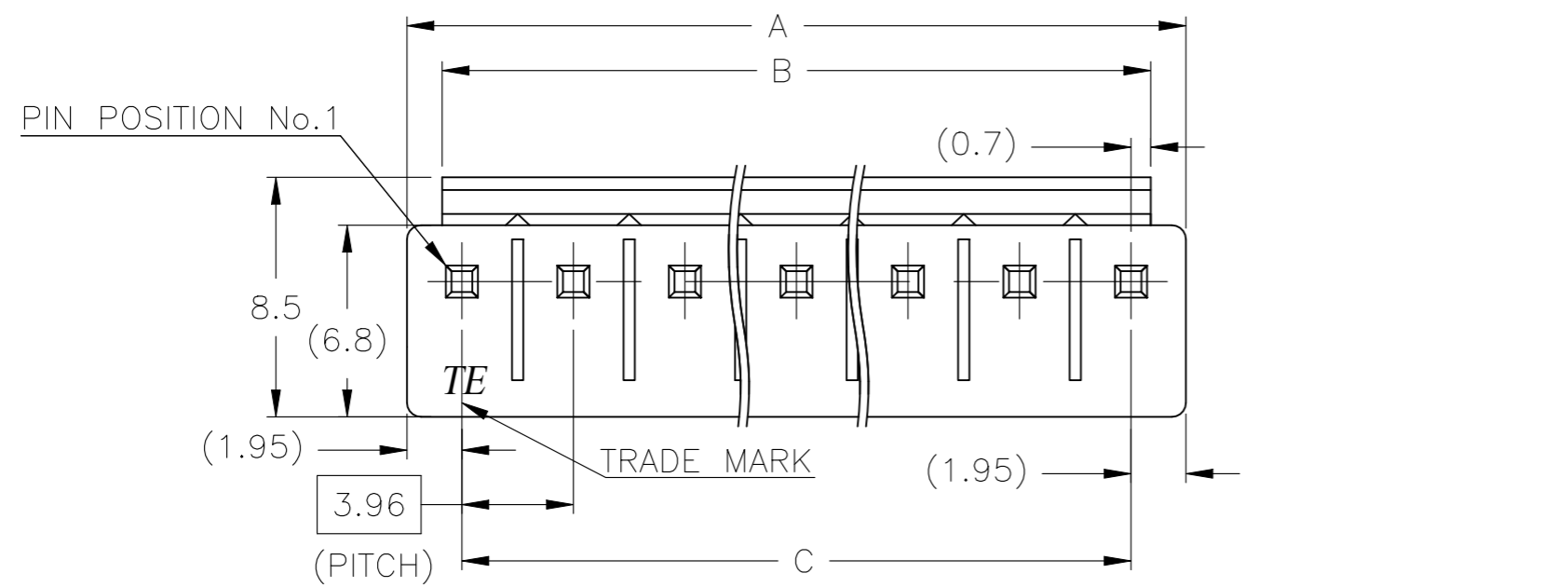
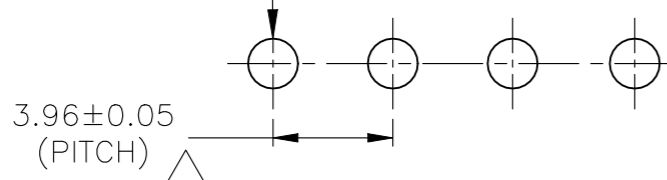


THIS DRAWING IS UNPUBLISHED. RELEASED FOR PUBLICATION  
 © COPYRIGHT - By - ALL RIGHTS RESERVED.

LOC	DIST	REVISIONS			
P	LTR	DESCRIPTION	DATE	DWN	APVD
J	-	J4	REVISED PER ECR-22-129998	13APR2022	WH LC



$\phi 1.60^{+0.1}_{-0.0}$  (PUNCHED HOLE)  
 $\phi 1.65^{+0.1}_{-0.0}$  (DRILLED HOLE)



2 FIG. 1

- 1 MATING CONN P/N: □-1123722-□
- 2 APPLICABLE P.C.B LAYOUT: SEE FIG. 1
- 3 APPLICABLE P.C.B THICKNESS: 1.60
- 4 SKETCHES SHOW NO CONTACTS MISSING.
- 5 COMPLY WITH GLOW WIRE REQUIREMENTS FOR PARTS OF NON-METALIC MATERIAL SUPPORTING A CURRENT CARRYING CONNECTION DETAILED IN IEC 60335-1 SECTION 30 (GWT [GLOW WIRE TEST]) 750° SPEC.
- 6 PIN:  
MATERIAL: BRASS  
FINISH: POST TIN.
- 7 SEE SHEET 2 OR 3 FOR NOTE
- 8 SEE SHEET 2 OR 3 FOR NOTE
- 9 SEE SHEET 2 OR 3 FOR NOTE

THIS DRAWING IS A CONTROLLED DOCUMENT.		DWN 12JUN2014 NAGALAKSHMI K		TE Connectivity	
DIMENSIONS: mm		CHK 12JUN2014 SEILHAMER, MALACHI			
TOLERANCES UNLESS OTHERWISE SPECIFIED:		APVD 12JUN2014 SEILHAMER, MALACHI		NAME ECONOMY POWER (EP) CONN HEADER ASSY 3.96MM PITCH SPECIAL	
0 PLC ± 0.5		PRODUCT SPEC 108-5609		SIZE	
1 PLC ± 0.5		APPLICATION SPEC 114-32134		CAGE CODE	
2 PLC ± 0.30		WEIGHT -		DRAWING NO C-1565036	
3 PLC ±		CUSTOMER DRAWING		RESTRICTED TO -	
4 PLC ±		SCALE N/A		SHEET 1 OF 3	
ANGLES ±		REV J4			
FINISH					

THIS DRAWING IS UNPUBLISHED.

RELEASED FOR PUBLICATION

-. - .

LOC

DIST

REVISIONS

© COPYRIGHT - By -

ALL RIGHTS RESERVED.

J

-

P	LTR	DESCRIPTION	DATE	DWN	APVD
-	-	SEE SHEET 1	-	-	-

**5** COMPLY WITH GLOW WIRE REQUIREMENTS FOR PARTS OF NON-METALIC MATERIAL SUPPORTING A CURRENT CARRYING CONNECTION DETAILED IN IEC 60335-1 SECTION 30 (GWT [GLOW WIRE TEST]) 750° SPEC.

**6** PIN:  
MATERIAL: BRASS  
FINISH: POST TIN.

**7** HOUSING: PBT, 30% GLASS, UL94-V0, ONLY NATURAL COLOR

**8** HOUSING: NYLON, 15% GLASS, UL94-V2, ONLY NATURAL COLOR

**9** O: WITH PIN  
X: WITHOUT PIN.

GWT	HOUSING MATERIAL	PIN POSITION											DIMENSION			COLOR	POS	PART NUMBER
		1	2	3	4	5	6	7	8	9	10	11	C	B	A			
NO	<b>7</b>	O	X	O	O	O	O	O	-	-	-	-	23.76	25.16	27.66	RED	7	4-1565036-6
		O	X	O	X	O	X	O	O	-	-	-	27.72	29.12	31.62	NATURAL	8	4-1565036-5
		O	O	O	X	O	-	-	-	-	-	-	15.84	17.24	19.74	RED	5	4-1565036-4
YES	<b>8</b>	O	O	X	O	X	O	X	O	-	-	-	27.72	29.12	31.62	NATURAL	8	4-1565036-1
		O	O	X	O	O	X	O	O	-	-	-	27.72	29.12	31.62	NATURAL	8	4-1565036-0
NO	<b>7</b>	O	X	O	O	O	O	O	-	-	-	23.76	25.16	27.66	BLUE	7	3-1565036-6	
		O	X	O	O	X	O	X	O	-	-	-	27.72	29.12	31.62	NATURAL	8	3-1565036-5
		O	O	X	O	O	-	-	-	-	-	-	15.84	17.24	19.74	BLUE	5	3-1565036-4
YES	<b>8</b>	O	X	O	X	O	O	X	O	-	-	-	27.72	29.12	31.62	NATURAL	8	3-1565036-1
		O	O	X	X	O	O	O	O	-	-	-	27.72	29.12	31.62	NATURAL	8	3-1565036-0
NO	<b>7</b>	O	X	O	O	O	O	O	-	-	-	23.76	25.16	27.66	YELLOW	7	2-1565036-6	
		O	O	X	O	X	O	X	O	-	-	-	27.72	29.12	31.62	NATURAL	8	2-1565036-5
		O	O	O	X	O	-	-	-	-	-	-	15.84	17.24	19.74	YELLOW	5	2-1565036-4
YES	<b>8</b>	O	O	O	X	O	-	-	-	-	-	15.84	17.24	19.74	NATURAL	5	2-1565036-1	
		O	O	O	O	O	X	O	-	-	-	23.76	25.16	27.66	NATURAL	7	2-1565036-0	
NO	<b>7</b>	O	O	X	O	O	O	O	O	O	-	-	35.64	37.04	39.54	NATURAL	10	1-1565036-9
		O	O	O	X	O	O	O	O	O	-	-	31.68	33.08	35.58	NATURAL	9	1-1565036-8
		O	X	O	O	O	X	O	-	-	-	-	23.76	25.16	27.66	NATURAL	7	1-1565036-7
		O	O	O	O	O	X	O	-	-	-	-	23.76	25.16	27.66	BLACK	7	1-1565036-6
		O	X	O	X	O	O	X	O	-	-	-	27.72	29.12	31.62	NATURAL	8	1-1565036-5
		O	X	O	X	O	X	O	X	-	-	-	23.76	29.12	31.62	NATURAL	8	1-1565036-4
YES	<b>8</b>	O	X	O	X	O	X	O	X	-	-	-	23.76	29.12	31.62	NATURAL	8	1-1565036-1
		O	X	O	O	O	O	O	-	-	-	23.76	25.16	27.66	NATURAL	7	1-1565036-0	

THIS DRAWING IS A CONTROLLED DOCUMENT.

DWN: NAGALAKSHMI K 12JUN2014  
 CHK: SEILHAMER, MALACHI 12JUN2014  
 APVD: SEILHAMER, MALACHI 12JUN2014

**STE** TE Connectivity

NAME: ECONOMY POWER (EP) CONN HEADER ASSY  
 PRODUCT SPEC: 108-5609  
 APPLICATION SPEC: 1114-32134

SIZE: A3 CAGE CODE: MS DRAWING NO: C-1565036 RESTRICTED TO: -

WEIGHT: -

CUSTOMER DRAWING SCALE: N/A SHEET: 2 OF 3 REV: J4

DIMENSIONS: mm	TOLERANCES UNLESS OTHERWISE SPECIFIED:
	0 PLC ± 0.5
	1 PLC ± 0.5
	2 PLC ± 0.30
	3 PLC ±
	4 PLC ±
	ANGLES ±
MATERIAL: SEE TABLE <b>6</b>	FINISH: <b>6</b>

THIS DRAWING IS UNPUBLISHED.

RELEASED FOR PUBLICATION

---

LOC

DIST

REVISIONS

© COPYRIGHT - By -

ALL RIGHTS RESERVED.

J

-

P

LTR

DESCRIPTION

DATE

DWN

APVD

SEE SHEET 1

5 COMPLY WITH GLOW WIRE REQUIREMENTS FOR PARTS OF NON-METALIC MATERIAL SUPPORTING A CURRENT CARRYING CONNECTION DETAILED IN IEC 60335-1 SECTION 30 (GWT [GLOW WIRE TEST]) 750° SPEC.

6 PIN:  
MATERIAL: BRASS  
FINISH: POST TIN.

7 HOUSING: PBT, 30% GLASS, UL94-V0.  
ONLY NATURAL COLOR

8 HOUSING: NYLON, 15% GLASS, UL94-V2.  
ONLY NATURAL COLOR

9 O: WITH PIN  
X: WITHOUT PIN.

GWT	HOUSING MATERIAL	PIN POSITION											DIMENSION			COLOR	POS	PART NUMBER
		1	2	3	4	5	6	7	8	9	10	11	C	B	A			
NO	7	○	○	×	×	○	○	○	○	-	-	-	27.72	29.12	31.62	NATURAL	8	9-1565036-6
YES	8	○	○	○	○	×	○	-	-	-	-	19.80	21.20	23.70	NATURAL	6	9-1565036-1	
NO	7	○	×	○	○	○	○	-	-	-	-	23.76	25.16	27.66	NATURAL	7	8-1565036-6	
YES	8	○	×	○	×	○	○	-	-	-	-	23.76	25.16	27.66	NATURAL	7	8-1565036-1	
		○	○	×	○	○	○	○	○	-	-	35.64	37.04	39.54	NATURAL	10	8-1565036-0	
NO	7	○	○	×	○	○	×	○	-	-	-	27.72	29.12	31.62	NATURAL	8	7-1565036-6	
		○	×	○	×	○	○	-	-	-	-	23.76	25.16	27.66	NATURAL	7	7-1565036-5	
		○	○	○	×	○	-	-	-	-	-	15.84	17.24	19.74	NATURAL	5	7-1565036-4	
YES	8	○	×	○	×	○	×	○	×	×	○	-	35.64	37.04	39.54	NATURAL	10	7-1565036-1
		○	○	○	×	○	○	○	○	-	-	31.68	33.08	35.58	NATURAL	9	7-1565036-0	
NO	7	○	○	○	×	○	○	○	-	-	-	27.72	29.12	31.62	NATURAL	8	6-1565036-7	
		○	×	○	○	○	○	-	-	-	-	23.76	25.16	27.66	GREEN	7	6-1565036-6	
		○	○	○	○	×	○	-	-	-	-	19.80	21.20	23.70	BLUE	6	6-1565036-5	
YES	8	○	×	○	×	○	×	○	-	-	-	27.72	29.12	31.62	NATURAL	8	6-1565036-1	
		○	○	○	×	○	○	○	-	-	-	27.72	29.12	31.62	NATURAL	8	6-1565036-0	
NO	7	○	×	○	○	○	○	-	-	-	-	27.72	29.12	31.62	NATURAL	8	5-1565036-7	
		○	×	○	○	○	○	-	-	-	-	23.76	25.16	27.66	BLACK	7	5-1565036-6	
		○	×	○	×	○	×	○	×	×	○	-	35.64	37.04	39.54	NATURAL	10	5-1565036-5
		○	○	○	×	○	-	-	-	-	-	15.84	17.24	19.74	BLACK	5	5-1565036-4	
YES	8	○	×	○	○	×	○	×	○	-	-	27.72	29.12	31.62	NATURAL	8	5-1565036-1	
		○	×	○	○	○	○	-	-	-	-	27.72	29.12	31.62	NATURAL	8	5-1565036-0	

THIS DRAWING IS A CONTROLLED DOCUMENT.

DWN 12JUN2014 NAGALAKSHMI K  
CHK 12JUN2014 SEILHAMER, MALACHI  
APVD 12JUN2014 SEILHAMER, MALACHI

**STE** TE Connectivity

NAME: ECONOMY POWER (EP) CONN HEADER ASSY  
3.96MM PITCH SPECIAL

PRODUCT SPEC: 108-5609  
APPLICATION SPEC: 114-32134

SIZE: A3 CAGE CODE: MS DRAWING NO: C-1565036 RESTRICTED TO: -

WEIGHT: -

CUSTOMER DRAWING SCALE: N/A SHEET: 3 of 3 REV: J4

DIMENSIONS: mm	TOLERANCES UNLESS OTHERWISE SPECIFIED:
	0 PLC ± 0.5 1 PLC ± 0.5 2 PLC ± 0.30 3 PLC ± 4 PLC ± ANGLES ±
MATERIAL SEE TABLE 6	FINISH 6