

These drawings and specifications are the property of Microdot Inc., are issued in strict confidence and shall not be divulged, be reproduced or copied, or used as the basis for the manufacture or sale of any article without written permission of Microdot Inc.

010-0005-0000 G

THIS TOOL CONSISTS OF THE FOLLOWING PARTS:

PART I -- 001-0095-0002

PART II -- 001-0096-0006


PART III -- 001-0097-0002

THIS TOOL IS USED TO ASSEMBLE THE FOLLOWING:

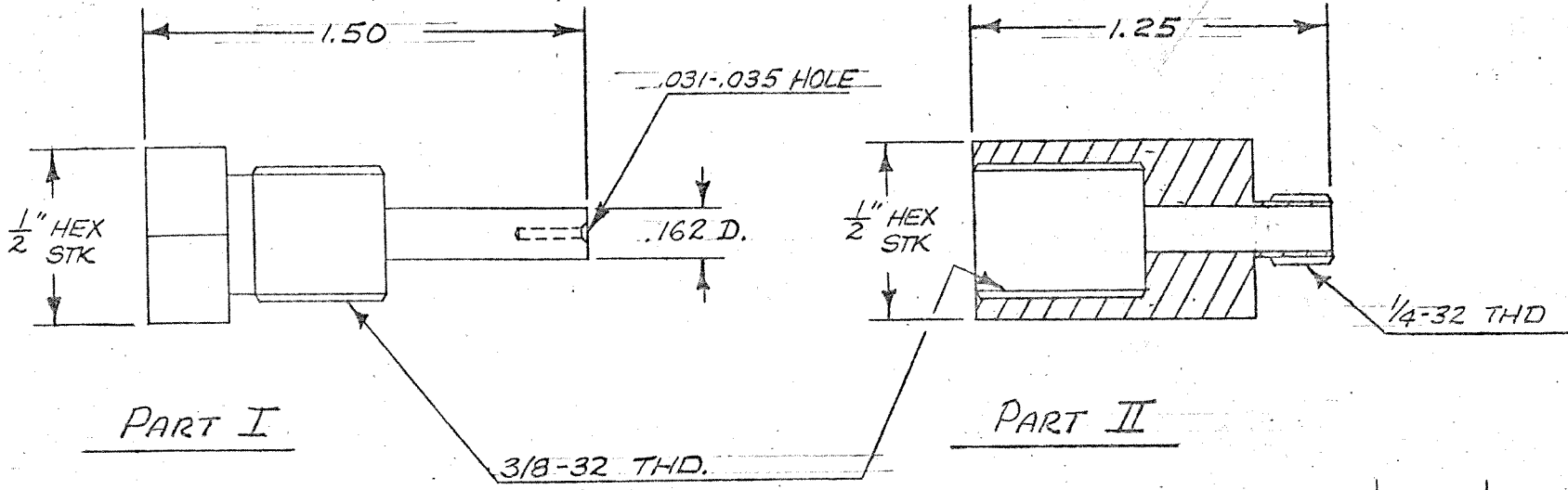
PLUGS -- 032-0011-0001, 032-0017-0001

JACK --- 031-0037-0001

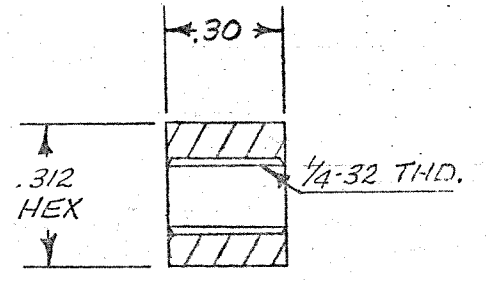
4-1532129-1

				STANDARD TOLERANCES UNLESS OTHERWISE SPECIFIED DEC. ± _____ FRAC. ± _____ ANGLES ± _____ ECCENTRICITY _____ MAX. T.I.R. _____ HOLE DIA. + _____ - _____ SURFACE ROUGHNESS _____ ✓ _____ MICRO INCHES THREADS TO MIL-S-7742 COMMERCIAL TOLERANCES APPLY TO STOCK DIMENSIONS		 MICRODOT INC. SOUTH PASADENA, CALIF.		
				SURFACE TREATMENT _____		MATERIAL _____		
						APP <u>G.P.F.</u>		
						APP _____		
						CHECKED BY _____		
						DRAWN BY <u>J.B.D.</u>		
						SCALE _____	WT _____	DATE <u>5/20/55</u>
						DRAWING NUMBER		
ASSEMBLY	NO REQ'D			ASS'Y TOOL RW 5/21/55		921	010-0005-0000	G
G	18203	UPDATED NUMBERS TO 3-4-4 NUMBERING	info 4/21/74					
F	2987	REDRAWN-REVISED						

CODE	CD	010-0005-0000	G
------	----	---------------	---



NOTES:
 1. THESE TOOLS ARE USED TO ASSEMBLE
 PLUGS & RECEPTACLES IN SERIES S-93
 AS SHOWN IN MICRODOT CATALOG



4-1532129-1

010-0005 SAME AS T10-05

F	1.50 WAS 1.25, 1.25 WAS 1.00	B.F.	7/16/65	JH
	.031-.035 D. WAS .032-.034 D.			
G	.30 WAS .03 (ECO 2984)	W.F.	6/21/64	W
	DWG # UPDATED (ECO 18203)			
ASSEMBLY	NO. REQ'D.			

MICRODOT INC.
 SOUTH PASADENA, CALIF.

SURFACE TREATMENT NONE		APP. G.P.F. 12-26-62	
MATERIAL STAINLESS STEEL		APP. [Signature]	
ASSEMBLY TOOL		CHECKED BY	
CODE CD		DRAWN BY J.B.D. (B.T.)	
SCALE S	WT.	DATE 9/27/55	
DRAWING NUMBER 010-0005-0000 G			

STANDARD TOLERANCES
 UNLESS OTHERWISE SPECIFIED
 DEC. ± .015
 FRAC. ± _____
 ANGLES ± _____
 ECCENTRICITY _____
 MAX. T. I. R. .005
 HOLE DIA. + .002
 - .001