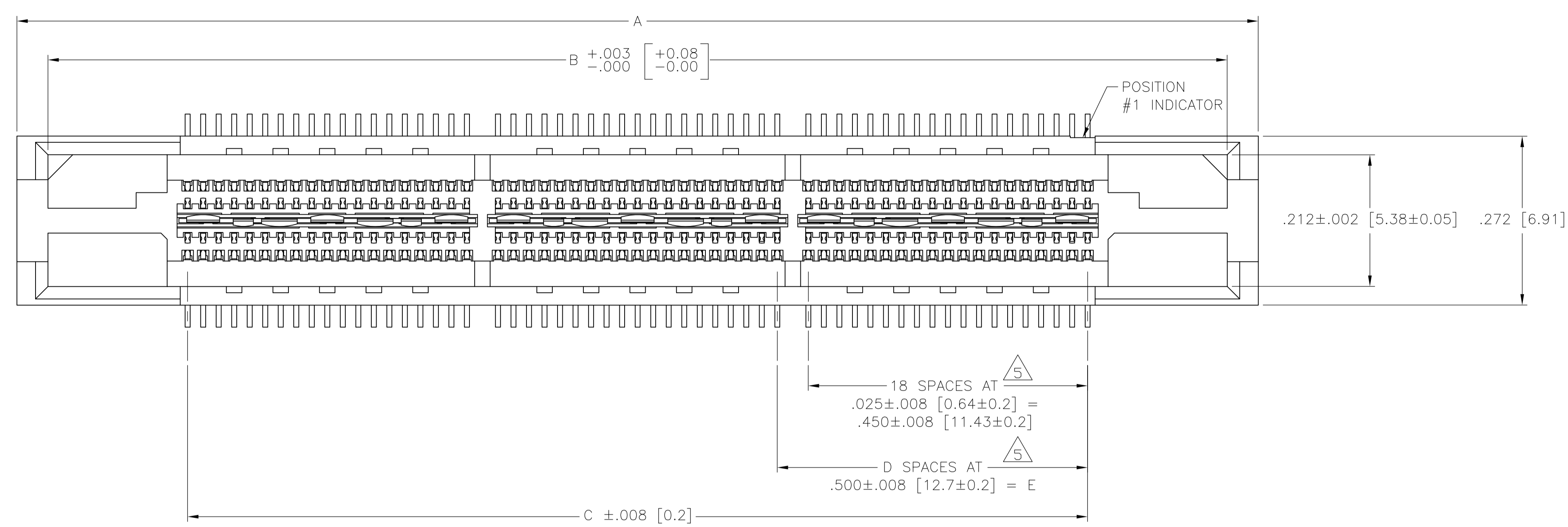
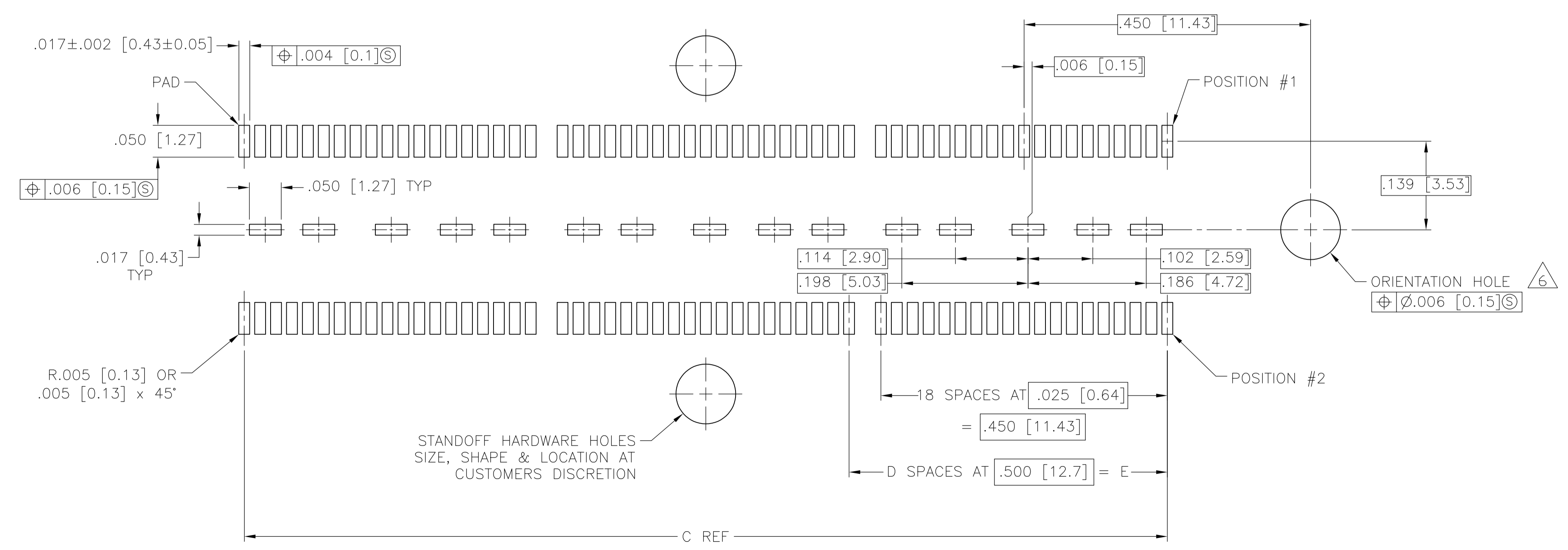
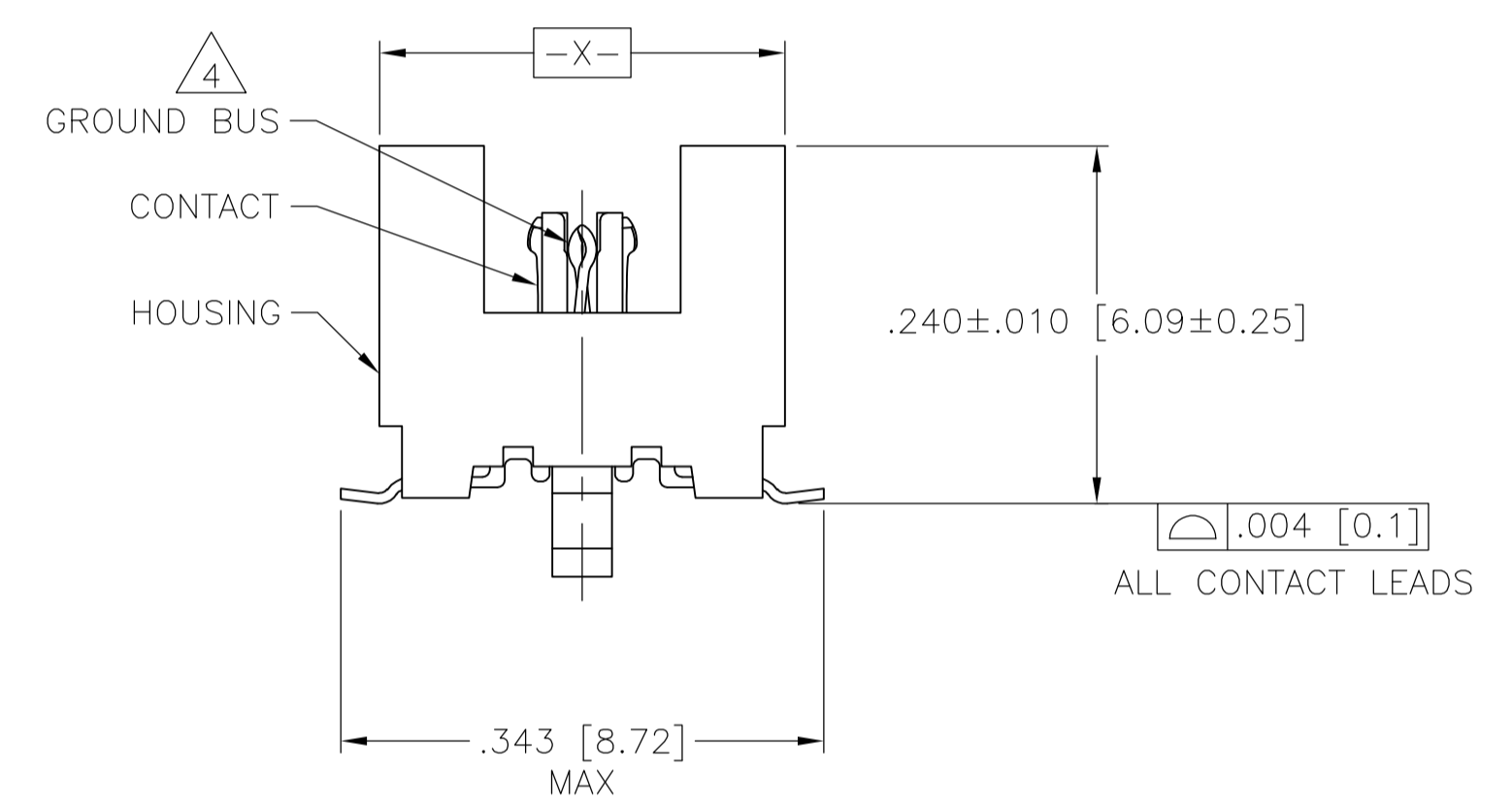
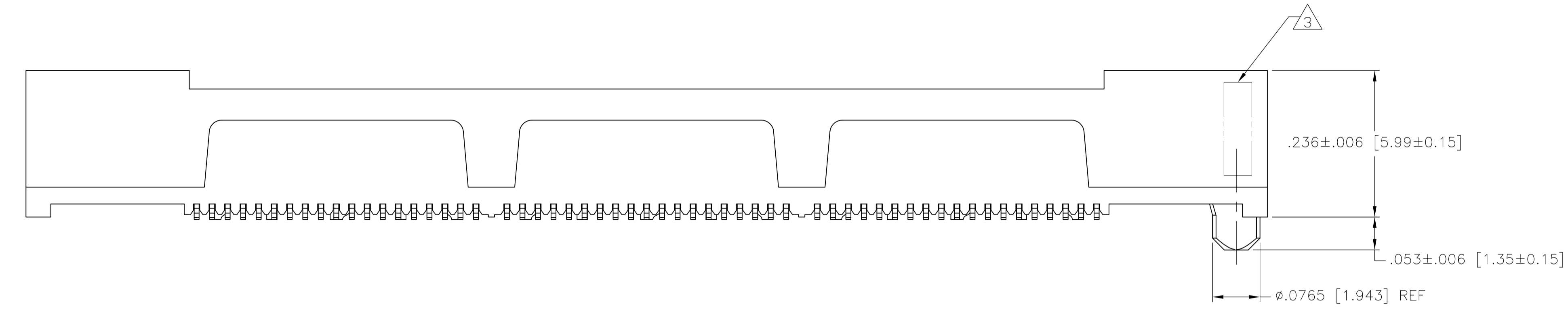


LOC		DIST		REVISIONS			
P	LTR	DESCRIPTION	DATE	DWN	APVD		
5		REVISED PCB	22JUN2007	BC	DD		
A		REVISED PER ECO-09-007920	31MAR2009	AEG	DD		
A1		REVISED PER ECO-09-008973	05MAY2009	AEG	DD		



- 1 HOUSING: LIQUID CRYSTAL POLYMER, BLACK.
CONTACTS: HIGH RELIABILITY COPPER ALLOY.
GROUND BUSES: PHOSPHOR BRONZE ALLOY, UNS C51100.
- 2 CONTACTS & GROUND BUSES: .00005 [0.00013] MIN GOLD OVER .000030 [0.00076] MIN PALLADIUM NICKEL ON CONTACT AREA, .000150-.000250 [0.00381-0.00635] 60/40 TIN-LEAD ON LEADS, ALL OVER 0.000075-0.000175 [0.00191-0.00445] NICKEL.
- 3 DATE CODE MARKED IN AREA INDICATED ON SIDE OPPOSITE POSITION #1.
- 4 ONE GROUND BUS WITH 5 TAILS PER EACH MODULE.
- 5 TOLERANCE NON-ACCUMULATIVE.
- 6 FOR STANDARD APPLICATIONS, ORIENTATION HOLE TO BE $\phi .094 \pm .002$ [2.39 ± 0.05].
FOR SLIP-FIT APPLICATIONS, ORIENTATION HOLE TO BE $\phi .079 \pm .001$ [2.00 ± 0.03].
- 7 PRELIMINARY PART NOT RELEASED FOR PRODUCTION.



NO	NO OF POSN	A	B	C	D	E	PART NUMBER
4	190	2.900 [73.66]	2.450 [62.23]	2.000 [50.8]	1.500 [38.1]	1.000 [25.4]	2007176-5
3	152	2.400 [60.96]	1.950 [49.53]	1.500 [38.1]	1.000 [25.4]	0.500 [12.7]	2007176-4
2	114	1.900 [48.26]	1.450 [36.83]	1.000 [25.4]	0.500 [12.7]	0.000 [0]	2007176-3
1	76	1.400 [35.56]	0.950 [24.13]	0.500 [12.7]	0.000 [0]	0.000 [0]	2007176-2
0	38	1.000 [25.4]	0.500 [12.7]	0.000 [0]	0.000 [0]	0.000 [0]	2007176-1

THIS DRAWING IS A CONTROLLED DOCUMENT.

DIMENSIONS: INCHES [mm]	TOLERANCES UNLESS OTHERWISE SPECIFIED:	DIN B CARBO 30MAY2007	APVD D DIXON 30MAY2007	NAME RECEPTACLE ASSEMBLY, VERTICAL, .025 [0.64] CL, GULL WING LEADS, MICTOR
0 PLC ± -	1 PLC ± -	2 PLC ± -	3 PLC ± .005 [0.13]	4 PLC ± -
ANGLES ± -				
MATERIAL 1	FINISH 2	WEIGHT -	SIZE A1	SCALE 8:1
CUSTOMER DRAWING		DRAWING NO. 00779	DRAWING NO. 2007176	SHEET 1 OF 1

Tyco Electronics Corporation
Harrisburg, PA 17105-3608