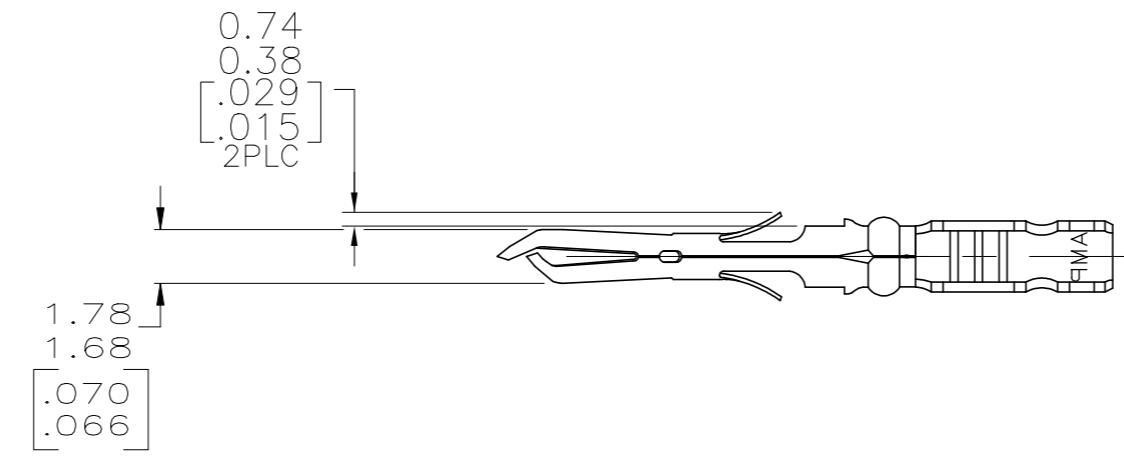
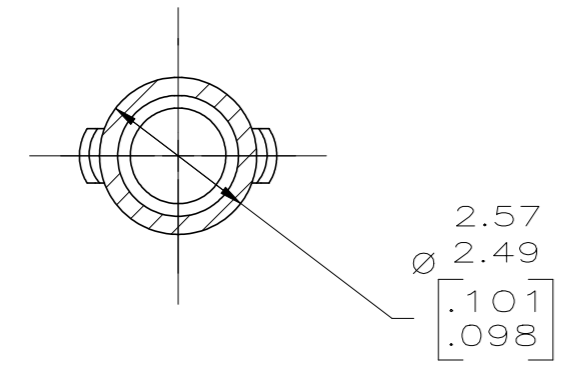
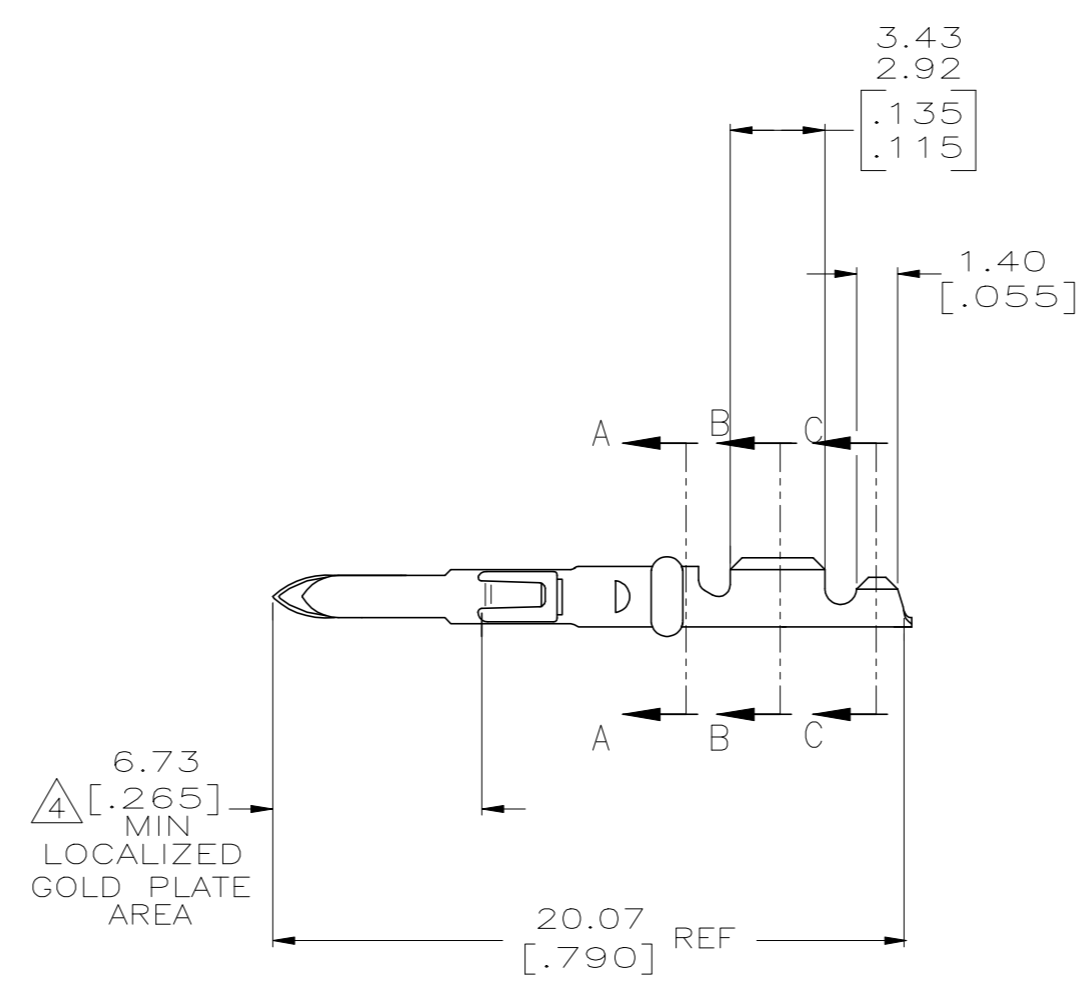
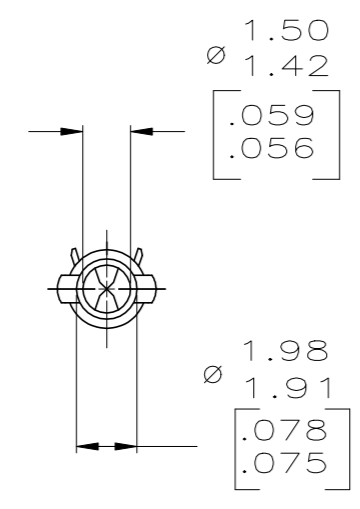


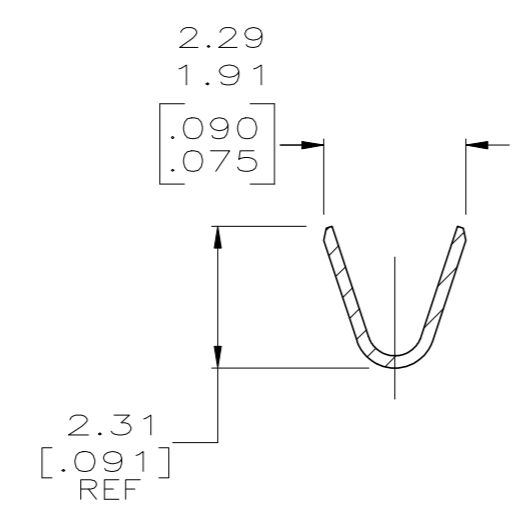
REVISIONS				
P	LTR	DESCRIPTION	DATE	APVD
C	REV & REDWN	PER EC 0730-0059-95	3-21-95	KS
D	REVISED	PER ECO-19-009931	04JUL2019	RS MZ



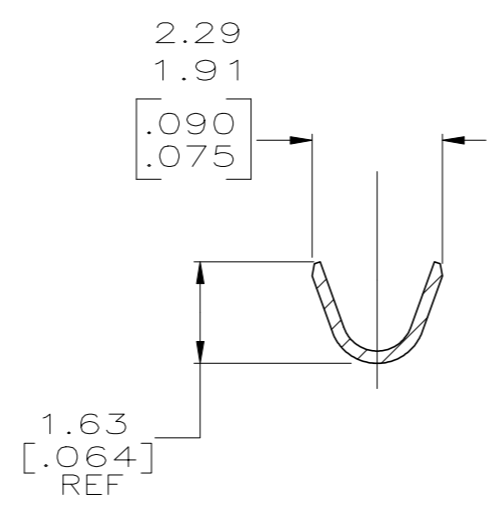
- 1 WIRE RANGE: 0.13-0.2mm² (26-24 AWG).
- 2 INSULATION RANGE: 0.64-1.27 [.025-.050] MAX. DIA.
- 3 DIMENSIONS IN BRACKETS ARE IN INCHES.
- △ TIP PLATE WITH 0.00076-0.00091 [.000030-.000036] MIN GOLD IN THE LOCALIZED GOLD PLATE AREA OVER 0.00127 [.000050] MIN NICKEL UNDERPLATE.



SECTION A-A
SCALE 10:1



SECTION B-B
SCALE 10:1



SECTION C-C
SCALE 10:1

METRIC

△ GOLD PLATE	0.20 [.008] PHOS BRZ	640579-2
PRE-TIN	0.20 [.008] PHOS BRZ	640579-1
FINISH	MATERIAL	PART NO

THIS DRAWING IS A CONTROLLED DOCUMENT.		DIN K SALMON 3-21-95	TE TE Connectivity
DIMENSIONS: mm [INCHES]		OK R SWING 3-21-95	
TOLERANCES UNLESS OTHERWISE SPECIFIED:		APVD W LONG 3-21-95	NAME
0 PLC ± -	1 PLC ± -	2 PLC ± 0.13 [.005]	PRODUCT SPEC
3 PLC ± -	4 PLC ± -	ANGLES ± -	APPLICATION SPEC
MATERIAL SEE TABLE	FINISH SEE TABLE	WEIGHT -	SIZE CAGE CODE DRAWING NO
CUSTOMER DRAWING		SCALE 5:1	SHEET 1 OF 1 REV D