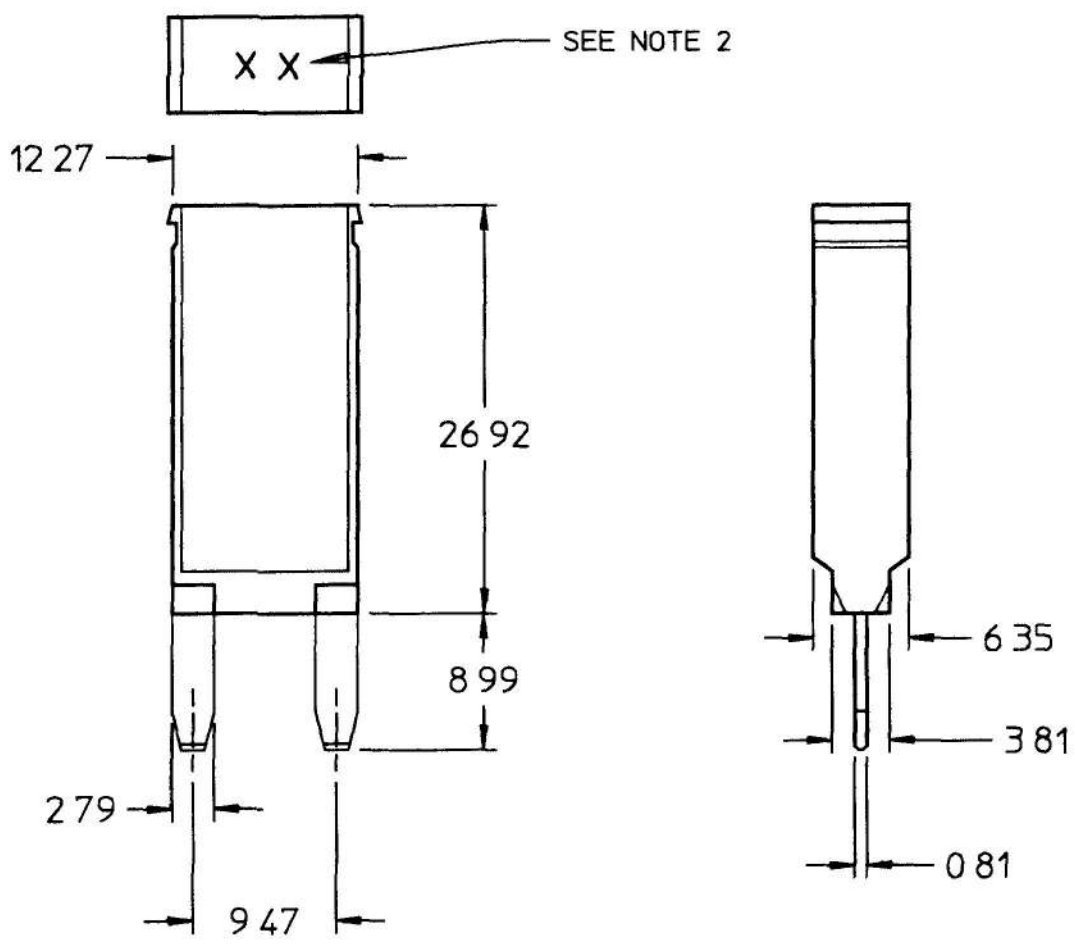


30419
CHART

	MM	IN
0	810	0 032
2	790	0 110
3	810	0 150
6	350	0 250
8	990	0 354
9	470	0 373
12	270	0 483
26	920	1 060



30419-25	25
30419-20	20
30419-15	15
30419-10	10
PT NO	AMPS

NOTES
 1 ALL DIMENSIONS REFERENCE ONLY
 2 AMP RATING
 3 12V CIRCUIT BREAKER

DO NOT SCALE

LET	WAS	DATE	BY	LET	WAS	DATE	BY	MATERIAL	DRAWN	CHK	APVD	SCALE	DATE DRAWN
									AS		GA	21	07/09/99
								FINISH	Cole Hersee Co. 20 OLD COLONY AVENUE, BOSTON, MA, U.S.A., 02127				DATE BLUEPRINTED
								TOLERANCES DECIMAL ± ANGLE ±	CIRCUIT BRKR, TYPE 2				30419