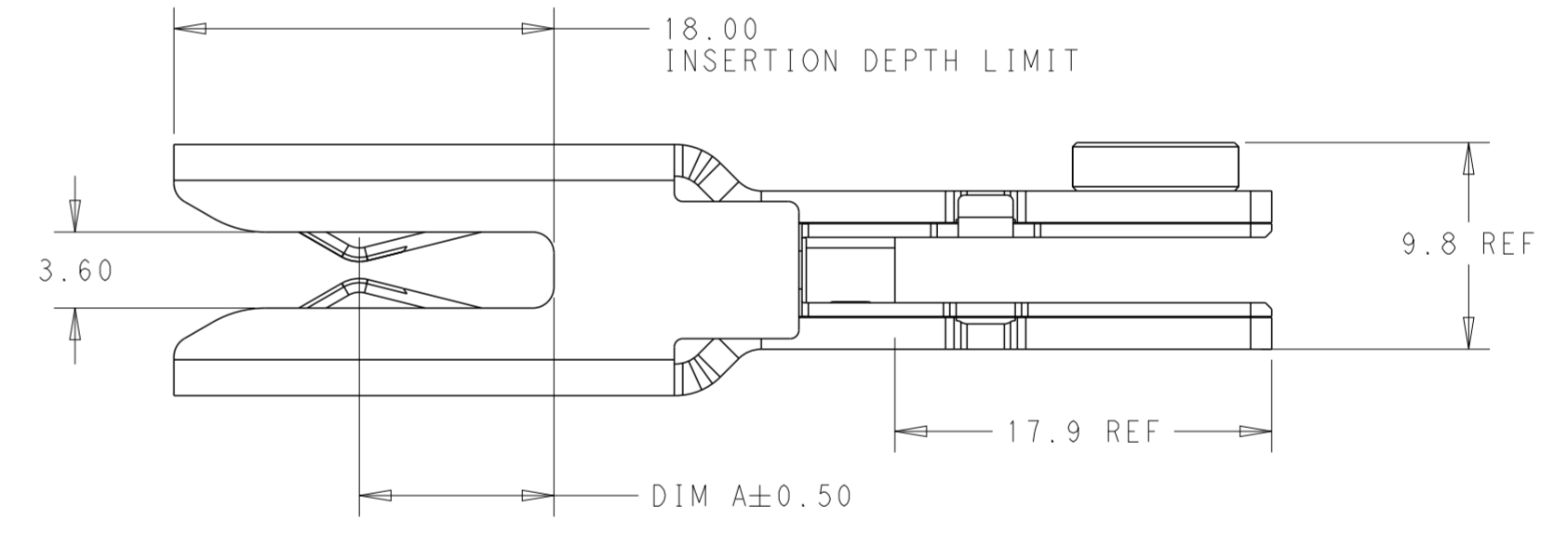
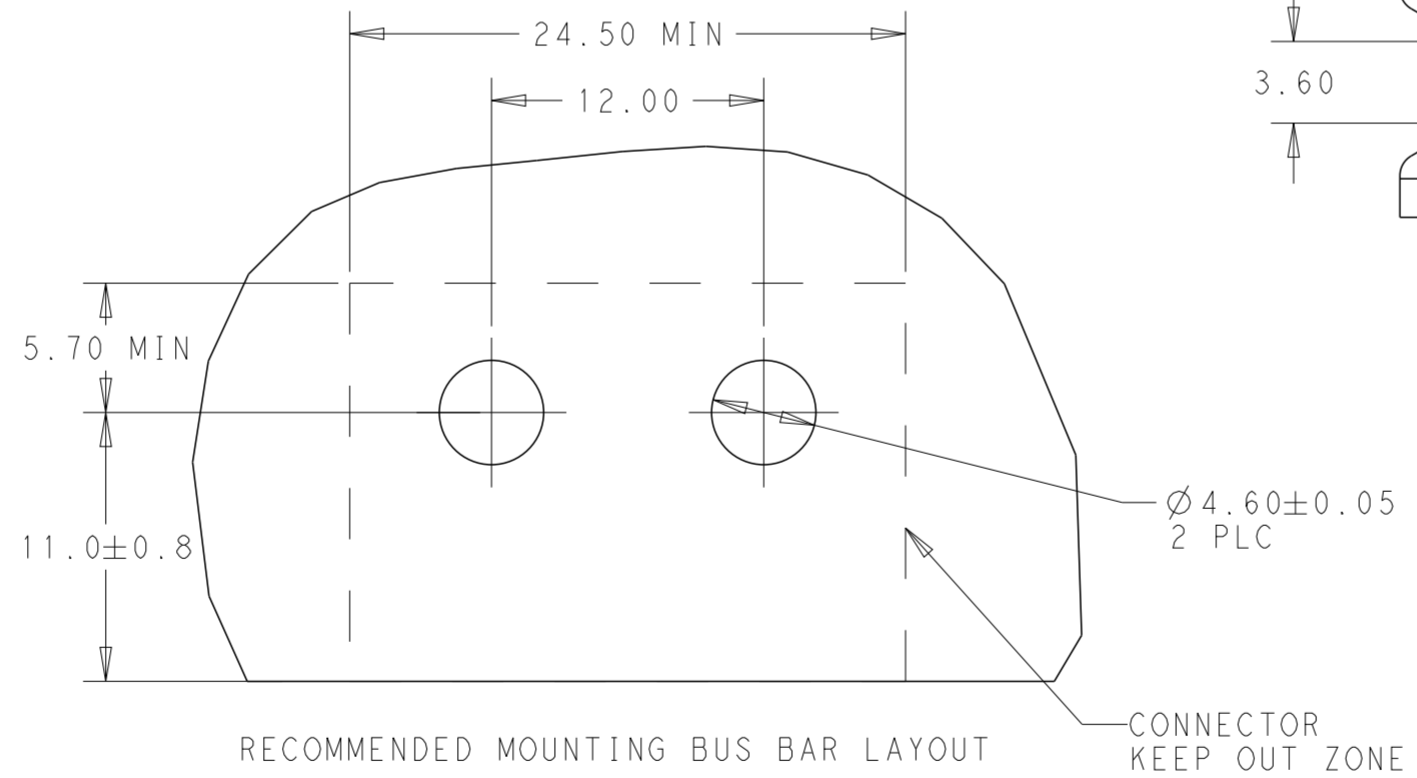
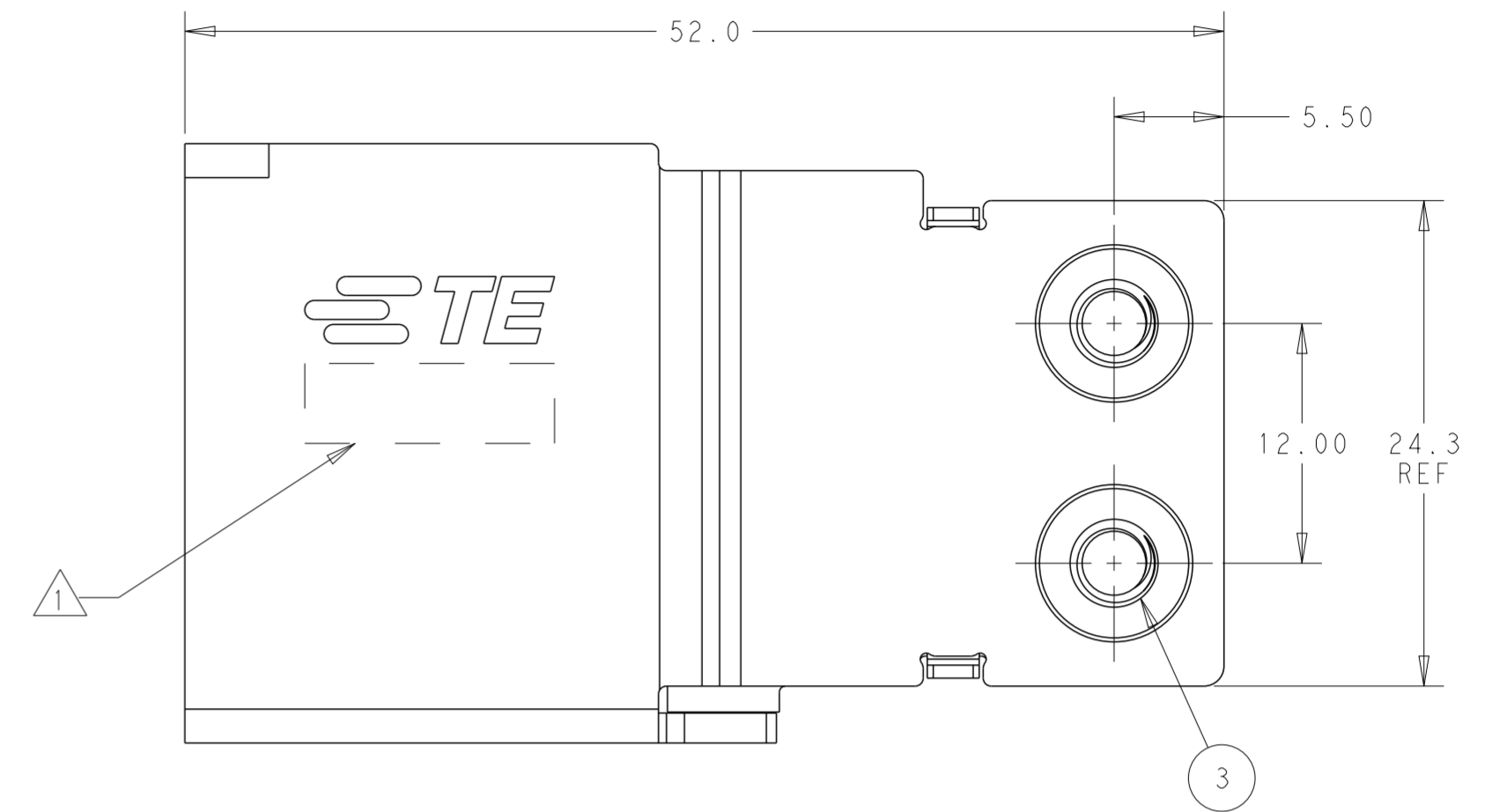
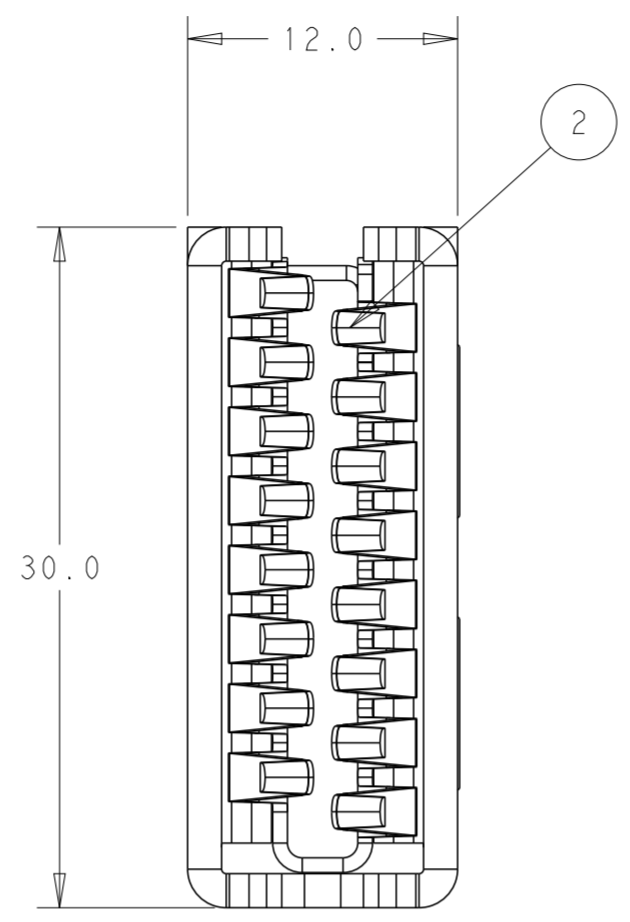
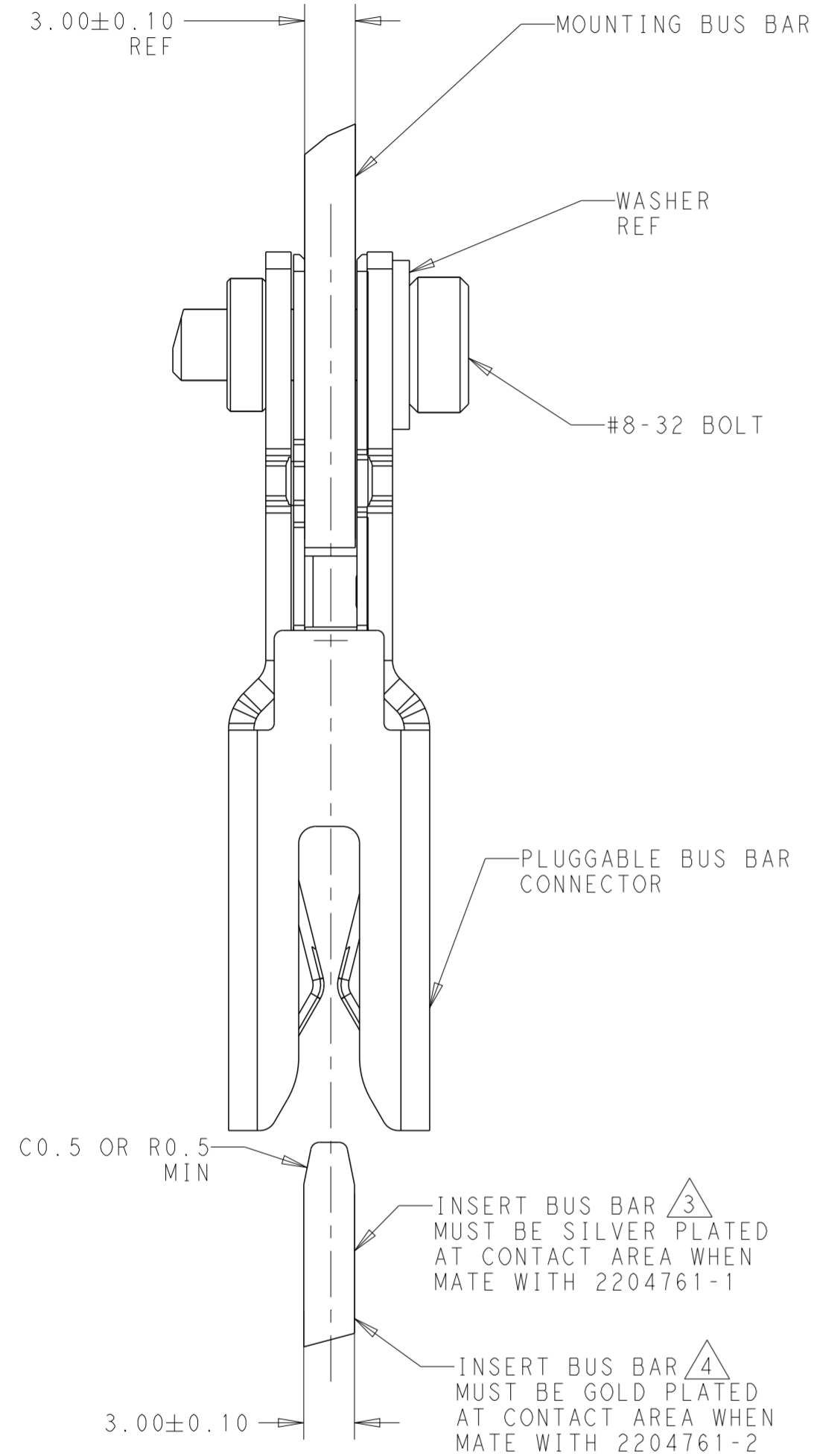


THIS DRAWING IS UNPUBLISHED. RELEASED FOR PUBLICATION 20
 © COPYRIGHT 20 BY - ALL RIGHTS RESERVED.

REVISIONS					
P	LTR	DESCRIPTION	DATE	DWN	APVD
A1		INCREASE WIPE LENGTH LIMIT	30NOV2022	AL	SH
A2		REDUCE INSERTION DEPTH	01DEC2022	AL	SH
A3		ADD NEW PN FOR LARGE WIPE LENGTH	07DEC2022	AL	SH



- NOTES:
- 1 PART NUMBER AND DATECODE TO BE MARKED IN AREA SHOWN
 - 2 MATERIAL: SHOWN IN BOM LIST
 - 3 BUS BAR MUST BE SILVER PLATING ON CONTACT AREA WHEN MATE WITH 2204761-1 AND 2204761-5
 - 4 BUS BAR MUST BE GOLD PLATING ON CONTACT AREA WHEN MATE WITH 2204761-2 AND 2204761-6.

DIM A	PART NUMBER
10.92	2204761-6
10.92	2204761-5
9.22	2204761-2
9.22	2204761-1

PART NUMBER	ITEMS	DESCRIPTION	MATERIAL	Q'TY	FINISH
2204761-2 2204761-6	3	CLINCHING NUT #8-32 THREAD	STAINLESS STEEL	2	-
	2	CONTACT	COPPER ALLOY	1	GOLD
	1	OUTER HOUSING	STAINLESS STEEL	1	-
2204761-1 2204761-5	3	CLINCHING NUT #8-32 THREAD	STAINLESS STEEL	2	-
	2	CONTACT	COPPER ALLOY	1	SILVER
	1	OUTER HOUSING	STAINLESS STEEL	1	-

THIS DRAWING IS A CONTROLLED DOCUMENT.

DIMENSIONS: mm

TOLERANCES UNLESS OTHERWISE SPECIFIED:

0 PLC	±
1 PLC	±0.3
2 PLC	±0.2
3 PLC	±0.1
4 PLC	±0.0001

ANGLES ±

FINISH

MATERIAL

APVD: SUNY ZHAO 30 JUN 2016

CHK: SUNY ZHAO 30 JUN 2016

DWN: ANDY LI 30 JUN 2016

PRODUCT SPEC: 108-128012

APPLICATION SPEC: 114-2130

WEIGHT: -

CUSTOMER DRAWING

SCALE: 2:1

SHEET: 1 OF 1

REV: A3

NAME: STAIR TYPE IN-LINE MOUNT PLUGGABLE BUS BAR CONNECTOR

SIZE: A2

CAGE CODE: -

DRAWING NO: C-2204761

RESTRICTED TO: -

STE TE Connectivity