

MATERIALS:

Housing: Nylon 66, UL-94V-0 rated

Insert: PPS, UL-94V-0 rated

Contacts: Brass, Gold plated

MECHANICAL SPECIFICATIONS:

Coupling type: Screw type

Contact termination: Solder

Mating cycles: >500

ENVIRONMENTAL SPECIFICATIONS:

IP rating: IP68

Temperature range: -25°C ~ +85°C



ORDERING CODE:

PD-SP2112-SX1X

Cap

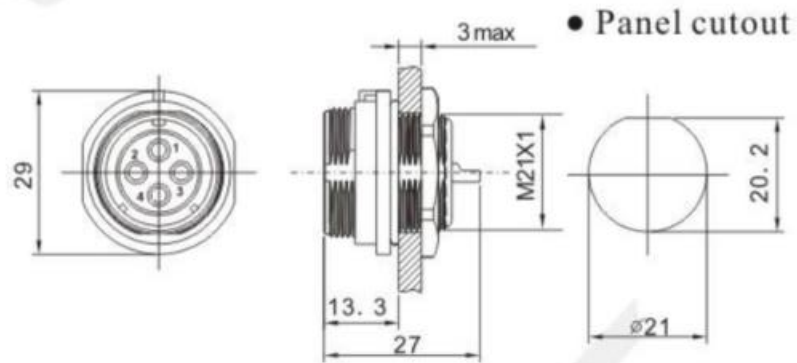
C = with cap

N - without cap

Number of contacts (from chart)



Number of contact	2	3	4	5	5B	5C	7	9	12
Male contact face view									
Rated current (A)	30A	30A	30A	30A	5A、30A	15A	15A	5A	5A
Contact diameter	∅ 3×2	∅ 3×3	∅ 3×4	∅ 3×5	∅ 1×3 ∅ 3×2	∅ 2×5	∅ 2×7	∅ 1×9	∅ 1×12
Termination	solder	solder	solder	solder	solder	solder	solder	solder	solder
Rated voltage(AC.V)	500V	500V	500V	500V	500V	500V	500V	500V	400V
Test voltage(AC.V) 1 min	1500V	1500V	1500V	1500V	1500V	1500V	1500V	1500V	1200V
Contact resistance mΩ	1	1	1	1	5、1	2.5	2.5	5	5
Wire size mm² /AWG	≤4.17/11	≤4.17/11	≤4.17/11	≤4.17/11	≤0.785/18 ≤4.17/11	≤2/14	≤2/14	≤0.785/18	≤0.785/18



REV	DATE	CHANGE	CHNG	CHK	APPR
			REVISIONS		

TOLERANCE UNLESS OTHERWISE SPECIFIED	
X	± 1
X.X	± 0.4
X.XX	± 0.13
DRAWN BY	PB
CHECK BY	
APPR BY	
DATE:	3/21/16

Power Dynamics, Inc.
 Phone: 973 560-0019 Whippary, New Jersey Fax: 973 560-0076

PART: WATERPROOF FEMALE PANEL CONNECTOR
 IP68 RATED; SIZE 21; SOLDER CONTACTS; SCREW TYPE

PART #: **PD-SP2112-SX1X**

SIZE: A SCALE: NTS

ALL DIMENSIONS FOR REFERENCE ONLY
 DIMENSIONS ARE IN MILLIMETERS

SHEET 1 of 1