

ACT20P ACT20P-AI-AO-DC-S

Weidmüller Interface GmbH & Co. KG
 Klingenbergstraße 16
 D-32758 Detmold
 Germany
 Fon: +49 5231 1429-0
 Fax: +49 5231 14292083
 www.weidmueller.com



ACT20P: The flexible solution

- Precise and highly functional signal converters
- Simple configuration via display (Pro DCDC II), FDT/DTM software or DIP switch
- Release levers simplify handling
- More space in the control cabinet, from 12.5 mm wide for two channels

General ordering data

Type	ACT20P-AI-AO-DC-S
Order No.	1477420000
Version	ACT20P, Signal converter/insulator, Input, DC U/I signals, Screw connection
GTIN (EAN)	4050118284959
Qty.	1 pc(s).

ACT20P
ACT20P-AI-AO-DC-S

Weidmüller Interface GmbH & Co. KG
 Klingenbergstraße 16
 D-32758 Detmold
 Germany
 Fon: +49 5231 1429-0
 Fax: +49 5231 14292083
 www.weidmueller.com

Technical data**Dimensions and weights**

Width	12.5 mm	Width (inches)	0.492 inch
Height	117.2 mm	Height (inches)	4.614 inch
Depth	113.7 mm	Depth (inches)	4.476 inch
Weight	80 g	Net weight	80 g

Temperatures

Humidity	10...90 % (no condensation)	Operating temperature	-20 °C...60 °C
Storage temperature	-25 °C...70 °C		

Input

Number of inputs	1	Sensor supply	24 V DC
Input voltage	configurable, 0...11 V (min. measurement range 2V)	Input resistance, voltage	≥ 1 MΩ
Input current	configurable, 0...22 mA (min. measurement range 4 mA)	Input resistance, current	100 Ω
Resolution	3.5 μA / 1.76 mV per bit		

Output

Number of outputs	1	Output voltage, note	adjustable, 0...11 V, min. output range 2V
Output current	adjustable, 0...22 mA, min. output range 4 mA	load impedance voltage	≥ 500 kΩ
load impedance current	≤ 1kΩ	Offset voltage	≤ 20 mV

General data

Configuration	DIP switch, Keys and LED display	Galvanic isolation	3-way isolator, between input/output/supply
Linearity	< ± 0.1 % of signal range, Typ. ± 0.05 % of signal range	Long-term drift	0.1 % / 10.000 h
Mounting rail	TS 35	Power consumption, typ.	3 W
Step response time	350 ms	Supply voltage	12...60 V DC
Temperature coefficient	< 0.05 % / °C		

Insulation coordination

EMC standards	IEC 61326-1	Galvanic isolation	3-way isolator, between input/output/supply
Impulse withstand voltage	4 kV (1.2/50 μs)	Insulation voltage Standards	2 kV inputs / outputs IEC 61326-1:2012, UL 61010-1:2012, 3rd Edition
Pollution severity	2		
Surge voltage category	III		

Data sheet

**ACT20P
ACT20P-AI-AO-DC-S**

Weidmüller Interface GmbH & Co. KG
 Klingenbergstraße 16
 D-32758 Detmold
 Germany
 Fon: +49 5231 1429-0
 Fax: +49 5231 14292083
 www.weidmueller.com

Technical data

Connection data

Type of connection	Screw connection	Tightening torque, min.	0.4 Nm
Tightening torque, max.	0.6 Nm	Clamping range, rated connection	1.5 mm ²
Clamping range, rated connection, min.	0.5 mm ²	Clamping range, rated connection, max.	2.5 mm ²
Wire connection cross section AWG, min.	AWG 30	Wire connection cross section AWG, max.	AWG 14

Classifications

ETIM 6.0	EC002653	eClass 6.2	27-21-01-20
eClass 9.1	27-21-01-20		

Approvals

Approvals



ROHS Conform

Downloads

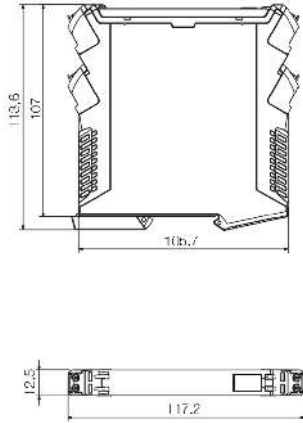
Approval/Certificate/Document of Conformity	Declaration of Conformity Declaration of Conformity
Brochure/Catalogue	CAT 4.1 ELECTR 16/17 EN
User Documentation	Instruction sheet

Data sheet

**ACT20P
ACT20P-AI-AO-DC-S**

Weidmüller Interface GmbH & Co. KG
 Klingenbergstraße 16
 D-32758 Detmold
 Germany
 Fon: +49 5231 1429-0
 Fax: +49 5231 14292083
 www.weidmueller.com

Drawings



terminal coding

