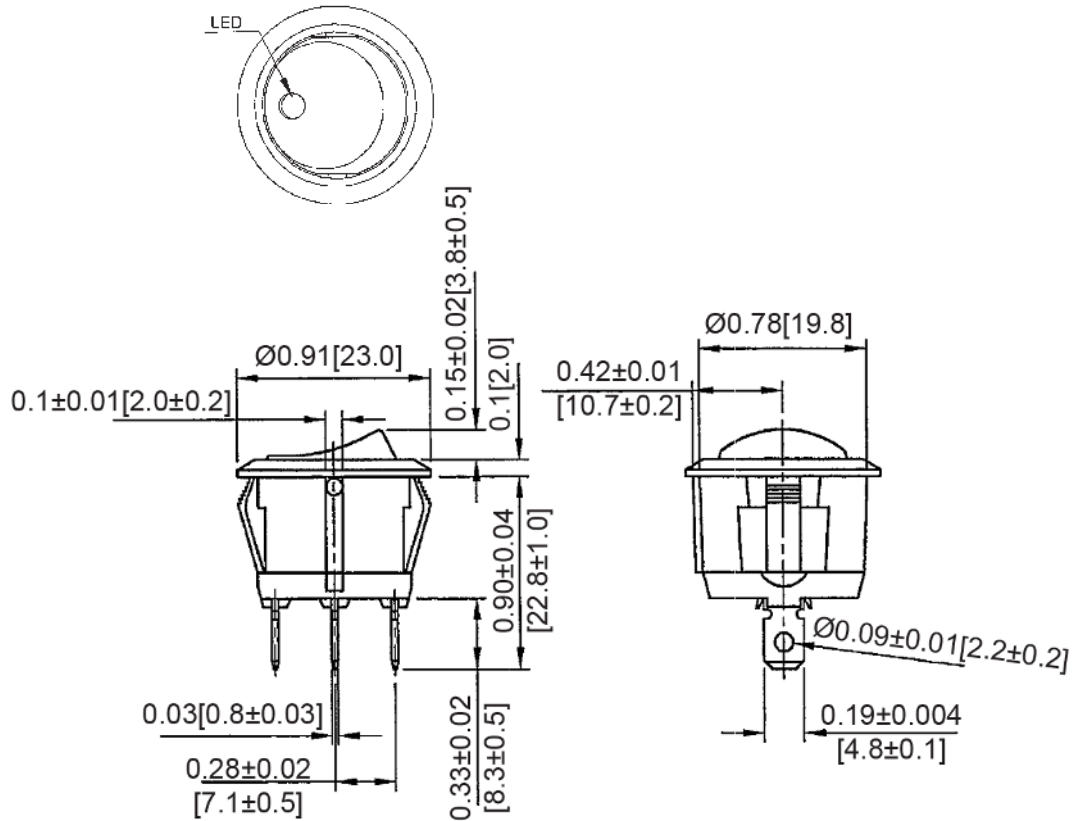
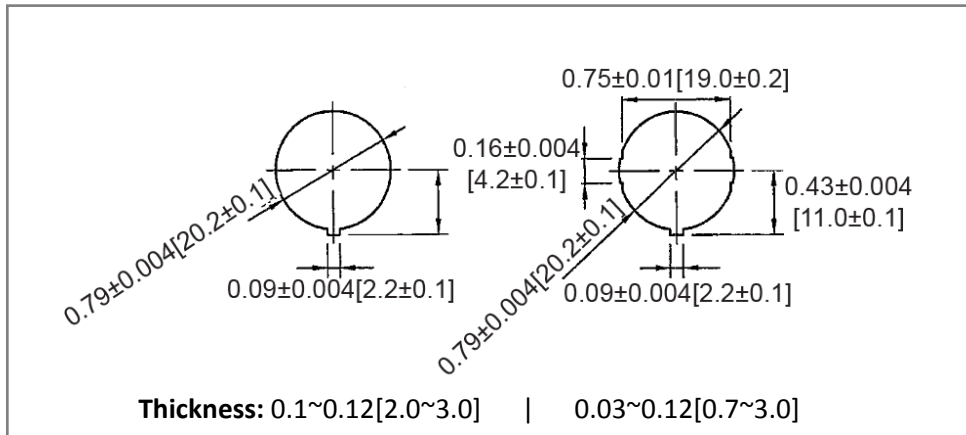


## Mechanical Dimensions: Inches [mm]

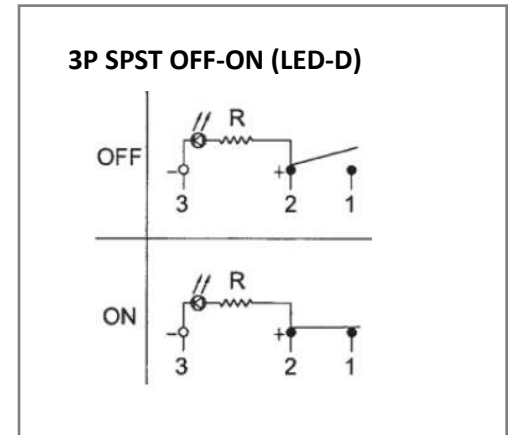
Tolerances  $\pm 0.012$  [0.3] Unless Otherwise Specified



## Mounting Hole



## Circuit Diagram



## Electrical Specifications

Rating	20A 14V DC
Contact Resistance	50m ohm Max
Insulation Resistance	DC 500V 100M ohm Min
Dielectric Strength	AC 1500V 1 minute
Operation Temperature	-25°C ~ 85°C

## Material Specifications

Frame	Black, Nylon 66 (94-V2)
Actuator	Black, Nylon 66 (94-V2)
LED	Red (dependent)
Terminals	Copper alloy, Silver plated

Rev	Date of issue	Revision Notes	Designed	Approved
B	07-13-2021	Initial Drawing	RC	OF