

## Sensor/actuator box header - SACB-4/ 4-L-C GG SCO P - 1452864

Please be informed that the data shown in this PDF Document is generated from our Online Catalog. Please find the complete data in the user's documentation. Our General Terms of Use for Downloads are valid (<http://download.phoenixcontact.com>)



Sensor/actuator box header, Connection method: M12-SPEEDCON-socket Plastic, Number of slots: 4, Number of positions: 4, Slot assignment: Single, Status indication: Yes, pnp; Master cable connection: Pluggable screw connection, Shielding: No



### Key commercial data

|                      |          |
|----------------------|----------|
| Packing unit         | 1 PCE    |
| Custom tariff number | 85444290 |
| Country of origin    | Poland   |

### Technical data

#### General

|  |                     |
|--|---------------------|
| Rated voltage                            | 24 V DC             |
| Max. operating voltage $U_{max}$         | 30 V DC             |
| Current carrying capacity per I/O signal | 2 A                 |
| Current carrying capacity per slot       | 4 A                 |
| Total rated current                      | 10 A                |
| Number of positions                      | 4                   |
| Number of slots                          | 4                   |
| Inflammability class according to UL 94  | V0                  |
| Sensor/actuator connection system        | M12-SPEEDCON-socket |

#### Ambient conditions

|                                 |                  |
|---------------------------------|------------------|
| Degree of protection            | IP65             |
|                                 | IP67             |
| Ambient temperature (operation) | -25 °C ... 80 °C |

#### Local diagnostics function

|                   |                          |
|-------------------|--------------------------|
| Local diagnostics | Supply voltage Green LED |
|-------------------|--------------------------|

## Sensor/actuator box header - SACB-4/ 4-L-C GG SCO P - 1452864

### Technical data

#### Local diagnostics function

|  |                               |
|--|-------------------------------|
|  | Status display I/O Yellow LED |
|--|-------------------------------|

#### Master cable data/connection data

|  |                            |
|--|----------------------------|
| Connection method                            | Pluggable screw connection |
| Tightening torque slot sensor/actuator cable | 0.4 Nm                     |

#### Insulation material

|  |                      |
|--|----------------------|
| Housing material   | PBT                  |
| Material of the moulding mass                            | PUR                  |
| Contact material   | Cu alloy             |
| Contact surface material                                 | Gold-plated          |
| Contact carrier material                                 | PA                   |
| Material of contact, master cable side                   | CU alloy             |
| Material of contact surface, master cable side           | Sn                   |
| Material of the contact carrier on the master cable side | PA                   |
| Material of threaded sleeve                              | PBT                  |
| Material, O-ring   | NBR                  |
| Sealing material   | NBR (Connector hood) |

#### Pin assignment

|  |                       |
|--|-----------------------|
| Slot/position = Wire color or connection | 1 / 4 (A) = WH        |
|  | 2 / 4 (A) = GN        |
|  | 3 / 4 (A) = YE        |
|  | 4 / 4 (A) = GY        |
|  | 1-4 / 1 (+ 24 V) = BN |
|  | 1-4 / 3 (0 V) = BU    |
|  | 1-4 / 5 (PE) = GN/YE  |

### Classifications

#### eCl@ss

|            |          |
|------------|----------|
| eCl@ss 4.0 | 27140815 |
| eCl@ss 4.1 | 27140815 |
| eCl@ss 5.0 | 27143423 |
| eCl@ss 5.1 | 27143423 |
| eCl@ss 6.0 | 27279219 |
| eCl@ss 7.0 | 27279219 |
| eCl@ss 8.0 | 27279219 |

# Sensor/actuator box header - SACB-4/ 4-L-C GG SCO P - 1452864

## Classifications

### ETIM

|          |          |
|----------|----------|
| ETIM 4.0 | EC002585 |
| ETIM 5.0 | EC002585 |

### UNSPSC

|               |          |
|---------------|----------|
| UNSPSC 6.01   | 31261501 |
| UNSPSC 7.0901 | 31261501 |
| UNSPSC 11     | 31261501 |
| UNSPSC 12.01  | 31261501 |
| UNSPSC 13.2   | 31261501 |

## Approvals

### Approvals

---

#### Approvals

UL Recognized / cUL Recognized / GOST / cULus Recognized

---


#### Ex Approvals


---

#### Approvals submitted

---

### Approval details


|   |      |
|---|------|
| UL Recognized  |      |
|   |      |
| Nominal voltage UN  | 24 V |

|  |      |
|--|------|
| cUL Recognized  |      |
|  |      |
| Nominal voltage UN   | 24 V |

## Sensor/actuator box header - SACB-4/ 4-L-C GG SCO P - 1452864

### Approvals

GOST 

cULus Recognized 

### Accessories

#### Accessories

##### Connector hood with master cable

Connector hood - SACB-C-H180-4/ 4- 5,0PUR SCO P - 1453054



Connector hood, For use in Sensor/actuator box, Connection method: M12-SPEEDCON-socket Plastic, Number of slots: 4, Slot assignment: Single, Status indication: No; Master cable connection: Pluggable screw connection 180°, Cable length: 5 m, Shielding: No

Connector hood - SACB-C-H180-4/ 4-10,0PUR SCO P - 1453067



Connector hood, For use in Sensor/actuator box, Connection method: M12-SPEEDCON-socket Plastic, Number of slots: 4, Slot assignment: Single, Status indication: No; Master cable connection: Pluggable screw connection 180°, Cable length: 10 m, Shielding: No

Connector hood - SACB-C-H180-4/ 4 SCO P PUR/ - 1401391



Connector hood, For use in Sensor/actuator box, Connection method: M12-SPEEDCON-socket Plastic, Number of slots: 4, Slot assignment: Single, Status indication: No; Master cable connection: Pluggable screw connection 180°, PUR/PVC, Cable length: 0.5 m ... 50 m, Shielding: No

##### Connector hood without master cable

## Sensor/actuator box header - SACB-4/ 4-L-C GG SCO P - 1452864

### Accessories

Connector hood - SACB-C-H180-8/16 SCO P - 1453229



Connector hood with integrated connector, for M12 sensor/actuator boxes with SPEEDCON plastic thread and plug-in screw connection, for 4, 6 or 8 slots

---

### Device marking

Contact marker – zack marker strip - SS-ZB 17,5 WH - 0804963



Contact marker – zack marker strip, Strip, white, Unlabeled, Can be labeled with: Plotter, Mounting type: Snap into flat marker groove, Lettering field: 17.5 x 8 mm

---

Contact marker – zack marker strip - SS-ZB 17,5 YE - 0804976



Contact marker – zack marker strip, Strip, yellow, Unlabeled, Can be labeled with: Plotter, Mounting type: Snap into flat marker groove, Lettering field: 17.5 x 8 mm

---

### Labeled device marker

Contact marker – zack marker strip - SS-ZB 17,5 WH CUS - 0824468



Contact marker – zack marker strip, Can be ordered: Strip, white, Labeled according to customer specifications, Mounting type: Snap into flat marker groove, Lettering field: 17.5 x 8 mm

---

Contact marker – zack marker strip - SS-ZB 17,5 YE CUS - 0824469



Contact marker – zack marker strip, Can be ordered: Strip, yellow, Labeled according to customer specifications, Mounting type: Snap into flat marker groove, Lettering field: 17.5 x 8 mm

## Sensor/actuator box header - SACB-4/ 4-L-C GG SCO P - 1452864

### Accessories

---

#### Protective cap

Screw plug - PROT-MS SCO - 1553129



M12 screw plug with SPEEDCON quick locking for unoccupied M12 sockets of the sensor/actuator cables, boxes and flush-type connectors

---

#### Screwdriver tools

Tool - SACC BIT M12-D20 - 1208445



Nut for assembling SACC M12 connectors for free assembly, excluding M12 connectors with QUICKON fast connection technology, for 4 mm hexagonal drive

---

Philips screwdriver - SZK PZ2 VDE - 1206463



Screwdriver, PZ crosshead, VDE insulated, size: PZ 2 x 100 mm, 2-component grip, with non-slip grip

---

#### Torque tool

Torque screwdriver - TSD 04 SAC - 1208429



Torque screwdriver, with preset torque of 0.4 Nm and 4 mm hexagonal drive for M12 connectors

---

# Sensor/actuator box header - SACB-4/ 4-L-C GG SCO P - 1452864

## Accessories

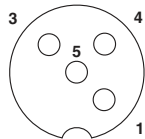
Torque screwdriver - TSD-M 1,2NM - 1212224



Torque screw driver, accuracy as per EN ISO 6789 standard, adjustable from 0.3 - 1.2 Nm

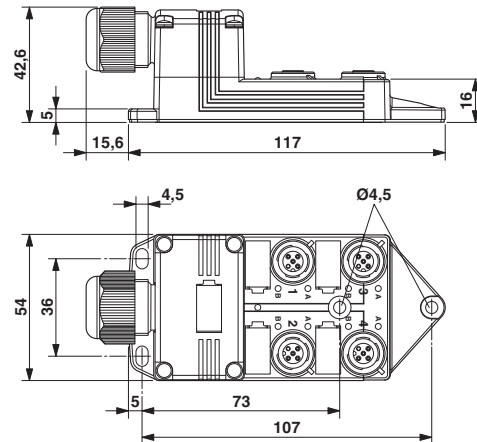
## Drawings

Schematic diagram



M12 slot, socket, 4-pos.

Dimensioned drawing



Circuit diagram

