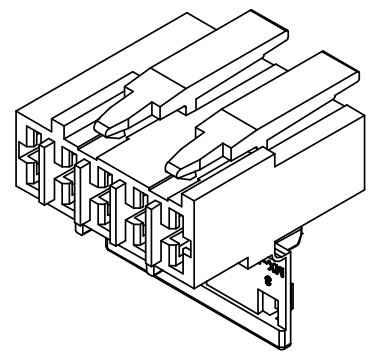
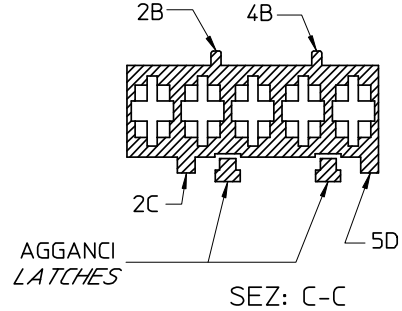


Dettaglio1
SCALA 5:1

CONFIGURAZIONE POLARIZZAZIONI
POLARIZATION CONFIGURATION

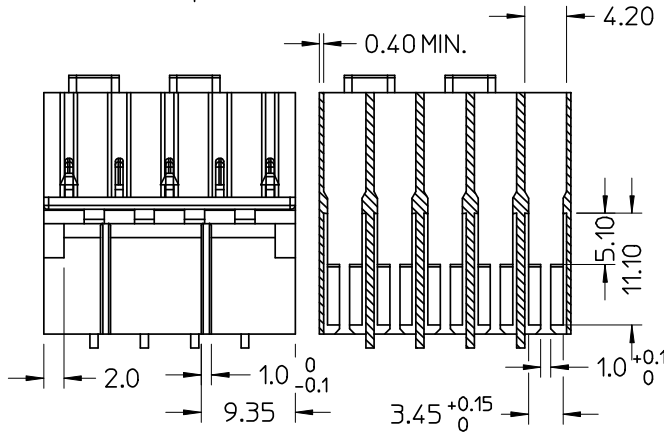


- NOTE:
- USATO CON TERMINALE 94518-0XXX E 94549-0XXX
 - SPECIFICA DI RIFERIMENTO PER IL CONNETTORE PS-94550-001
 - PER CARATTERISTICHE DI CRIMPATURA RIF. SD-94518-005 E SD-94549-001
 - FORZA DI DISACCOPIAMENTO CONNETTORE (TRAZIONANDO DAI CAVI SENZA AZIONARE L'AGGANCI): 60 N MIN.
 - SPESSORE MIN. PARETI CONNETTORE 0.40 mm.

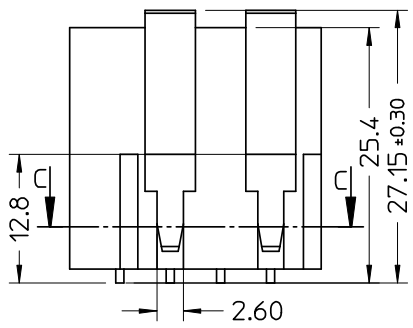
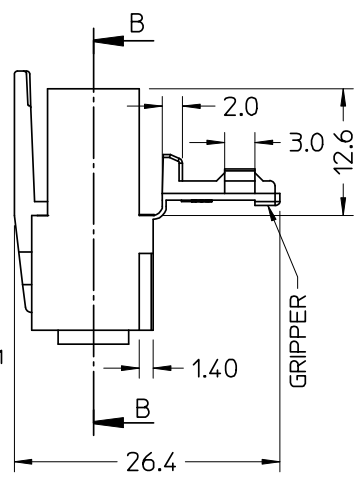
- NOTE:
- USED WITH TERMINALS 94518-0XXX AND 94549-0XXX
 - REFER TO PS-94550-001 FOR CONNECTOR SPECIFICATION
 - REFER TO SD-94518-005 AND SD-94549-001 FOR CRIMPING CHARACTERISTICS
 - CONNECTOR DISENGAGEMENT FORCE (PULLING BY THE WIRES, WITHOUT ACTUATING THE LATCH): 60 N MIN.
 - MINIMUM CONNECTOR WALL THICKNESS 0.40 mm.

MATERIALE: NYLON 6.6 V0 colore naturale
MATERIAL: NYLON 6.6 V0 natural

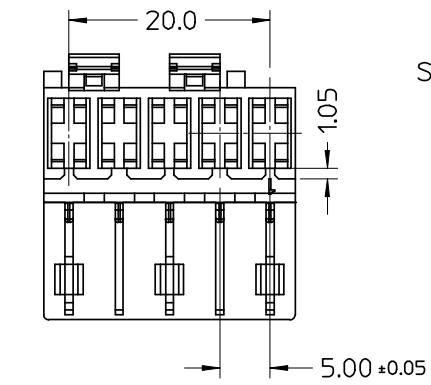
CONFEZIONE: Box da 1300 Pz.
PACKAGING: 1300 pcs in carton box



SEZ: B-B



AGENCY
RECOGNIZATIONS
CSA (file LR19980)
UL (file E-29179)



SPQ =1300

Std. Descr: "HSG W/SEC LOCK AND EXT LATCHES 5 CKT _____ COLOR"

EC NO: Z2006-0060 DRWN: FGOTTARD 2005/10/19 CHKD: RSANDANO 2005/10/19 APPR: GZUIN 2005/10/21	QUALITY SYMBOLS ▽ = 0 ▽ = 0	GENERAL TOLERANCES (UNLESS SPECIFIED)		SCALE 2:1	DESIGN UNITS METRIC	FIRST ANGLE PROJECTION	REVISE ON CAD ONLY
		mm	INCH	DIMENSION STYLE MM ONLY		TITLE	
		4 PLACES ± --- ± ---	3 PLACES ± --- ± ---	DRAWN BY DATE		HSG 5 CKT WITH SEC. LOCK AND EXTERNAL LATCH	
		2 PLACES ± 0.10 ± ---	1 PLACE ± 0.2 ± ---	FGOTTARD 2005/07/29			
ANGULAR ± 2 °		CHECKED BY DATE		MOLEX INCORPORATED			
DRAFT WHERE APPLICABLE		APPROVED BY DATE		GZUIN 2005/07/29		MATERIAL NO. 94550-9105	DOCUMENT NO. SD-94550-025
MUST REMAIN WITHIN DIMENSIONS		THIS DRAWING CONTAINS INFORMATION THAT IS PROPRIETARY TO MOLEX INCORPORATED AND SHOULD NOT BE USED WITHOUT WRITTEN PERMISSION				SHEET NO. 1 OF 1	A3