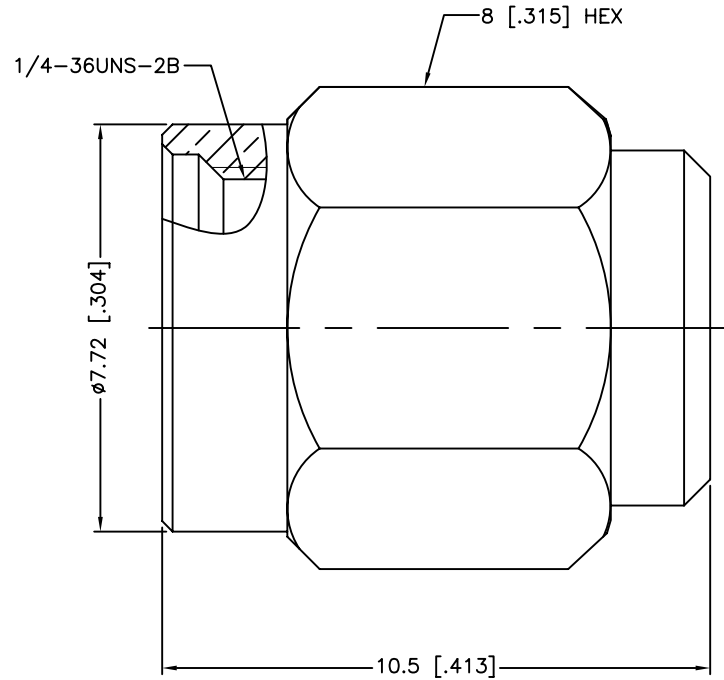


REV.	DATE	ECR NO.	DESCRIPTION
NC	10/24/10	XXXXXX	INITIAL RELEASE
A	10/06/11	2236	UPDATE THE RESISTOR'S DESCRIPTION



1. IMPEDANCE:50 OHM
2. FREQUENCY RANGE: 0-18 GHz.
3. DURABILITY:500 CYCLES MIN.

<small>UNLESS OTHERWISE SPECIFIED DIMENSIONS ARE IN MILLIMETERS. DIMENSIONS IN [] ARE IN INCHES AND FOR CUSTOMER REFERENCE ONLY.</small> <small>UNLESS OTHERWISE SPECIFIED TOLERANCES FOR MILLIMETERS ARE: 0.5 - 8mm ± 0.20mm 8 - 30mm ± 0.40mm 30 - 120mm ± 0.50mm</small> <small>UNLESS OTHERWISE SPECIFIED TOLERANCES FOR INCHES ARE: .020 - .315 = ± 0.007" .315 - 1.180 = ± 0.015" 1.180 - 4.724 = ± 0.020"</small>				APPROVALS		DATE		<h1 style="color: blue;">Amphenol Connex</h1>										
				DRAWN M.ZHANG		10/06/11												
6 RESISTOR 100 OHM, 0.1 WATT, 1% 2				CHECKED				REVERSE POLARITY SMA TERMINATOR PLUG (FOR 50 OHMS)										
5 CONTACT PIN BERYLLIUM COPPER GOLD 1				ISSUED														
4 INSULATOR PTFE NATURAL 1				SHEET 1 OF 1				132360RP										
3 GASKET SILICON RUBBER RED 1				CAD FILE		C:/CONNEX/132360RP.DWG					<small>DWG. NO. 132360RP.DWG REV. A SIZE A SCALE NA</small>							
2 BODY BRASS GOLD 1																		
1 SHELL BRASS GOLD 1																		
<table border="1" style="width: 100%; border-collapse: collapse;"> <thead> <tr> <th style="width: 25%;">DESCRIPTION</th> <th style="width: 25%;">MATERIAL</th> <th style="width: 25%;">FINISH</th> <th style="width: 25%;">QTY</th> </tr> </thead> <tbody> <tr> <td>DO NOT SCALE DRAWING</td> <td></td> <td></td> <td></td> </tr> </tbody> </table>				DESCRIPTION	MATERIAL	FINISH	QTY	DO NOT SCALE DRAWING										
DESCRIPTION	MATERIAL	FINISH	QTY															
DO NOT SCALE DRAWING																		