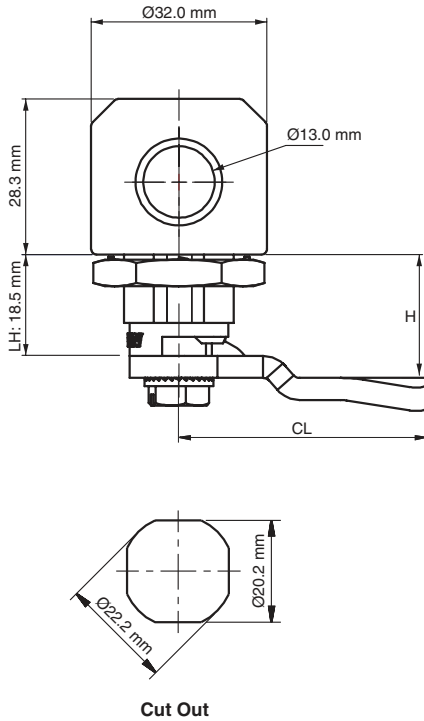


# QUARTER TURN - PADLOCKABLE



\*Example with cam. Cam sold separately.

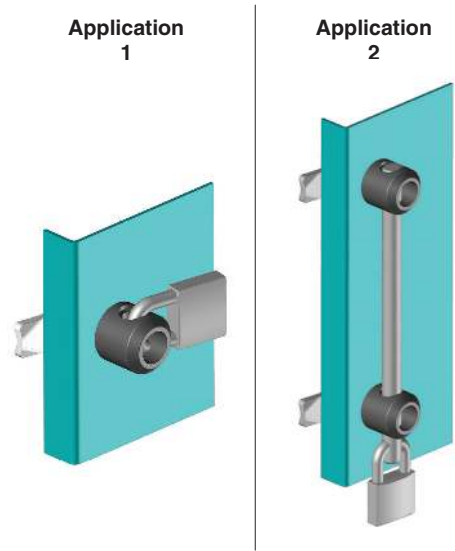


### Specifications

- Material:  
Housing: Zinc Alloy (Zamak) DIN-EN 1774-ZnAl4Cu1  
Driver: Zinc Alloy (Zamak) DIN-EN 1774-ZnAl4Cu1  
Cam: Steel  
Gasket: Rubber

### Features

- Padlockable version
- Can be used with different drivers
- Applications: Electric panels, machinery covers



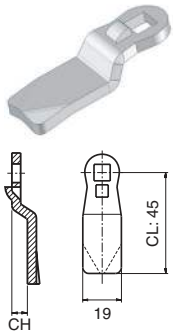
### Driver/Head Style



Slot (2x4)

Item Number		Driver / Head Style		Cam	
Zinc Alloy / Nylon	26011114200	Zinc Alloy / Black	26012124200	Slot (2x4)	Select Cam Below

### Steel Cam



Item Number	CH (mm)	CL (mm)	H (mm)
30403033	0	45	18.5
30403439	1	45	19.5
30403159	2	45	20.5
30403063	3	45	21.5
30403149	4	45	22.5
30403160	6	45	24.5
30403161	8	45	26.5
30403162	10	45	28.5
30403045	12	45	30.5
30403163	14	45	32.5
30403151	16	45	34.5
30403165	18	45	36.5

Item Number	CH (mm)	CL (mm)	H (mm)
30403166	20	45	38.5
30403167	22	45	40.5
30403168	24	45	42.5
30403169	-2	45	16.5
30403170	-4	45	14.5
30403171	-6	45	12.5
30403172	-8	45	10.5
30403173	-10	45	8.5
30403174	-12	45	6.5
30403175	-14	45	4.5