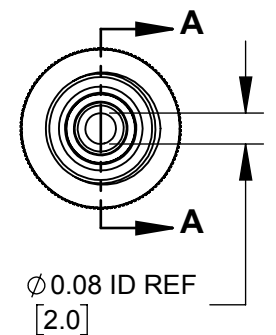
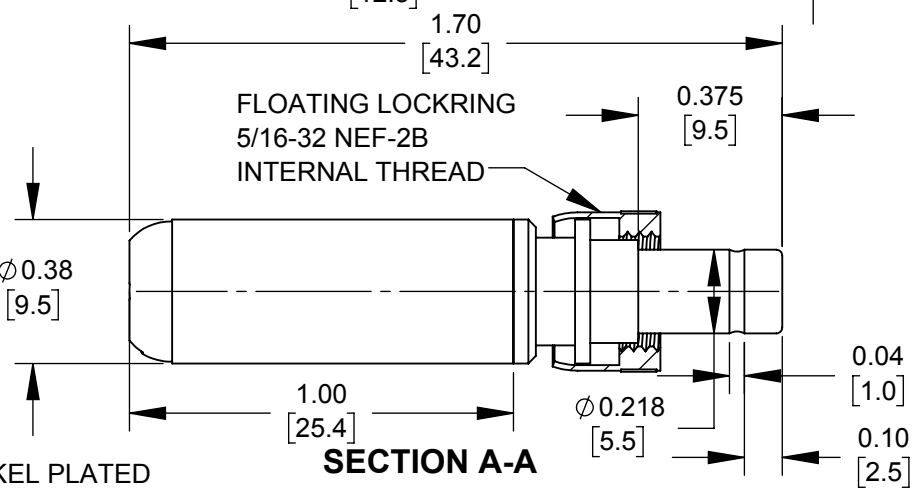
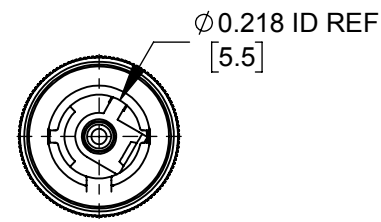
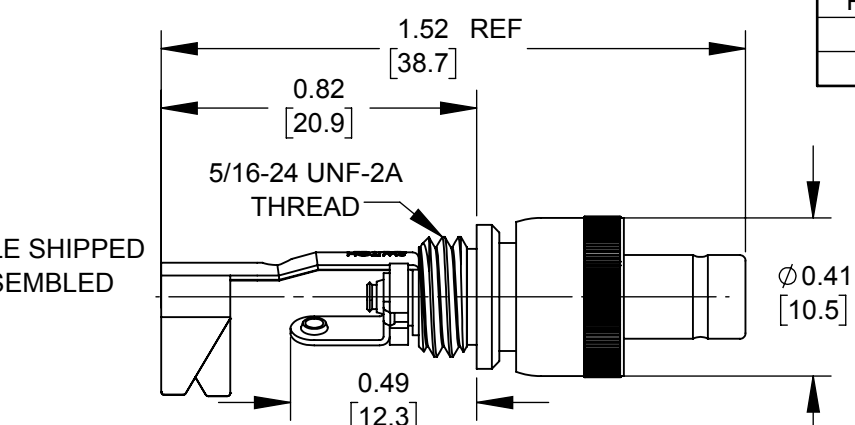


PART NUMBER	HANDLE COLOR
S760KZ	BLACK
S765KZ	RED



- NOTES:
- MATERIALS:
 CONDUCTORS & LOCKRING - BRASS, NICKEL PLATED
 TERMINALS - BRASS, TIN PLATED
 INSULATORS & HANDLE - THERMOPLASTIC

2. THIS PRODUCT IS RoHS COMPLIANT

CUSTOMER DRAWING

					THIS DRAWING DESCRIBES A DESIGN CONSIDERED PROPRIETARY IN NATURE, DEVELOPED AND MANUFACTURED BY SWITCHCRAFT INC. AND IS RELEASED ON A CONFIDENTIAL BASIS FOR IDENTIFICATION PURPOSES ONLY.					
UNLESS OTHERWISE SPECIFIED 1. ALL DIMENSIONS IN INCHES [mm] - TWO PLACE DECIMALS ±0.02 [0.5] - THREE PLACE DECIMALS ±0.005 [0.13]					SIZE	WIDTH	MULT	LBS/M	TEMPER	
					FINISH			MATERIAL		
					SPEC No.			SPEC No.		
DO NOT SCALE DRAWING					FIRST USED ON		SCALE			
					DATE DRAWN		BY	CHKD	APVD	
					10/24/19	AM	*	*		
REVISIONS					NAME Ø0.08 [2.0]mm X 0.375 LONG IMPROVED PWR PLG W/LOCKRING, RoHS					
0A	FIRST DRAWN	10/24/19	AM	*	PART No. S760KZ-S765KZ					
REV	ECO NUMBER	DATE	BY	APVD	REV 0A					
					SHEET 1 OF 1					