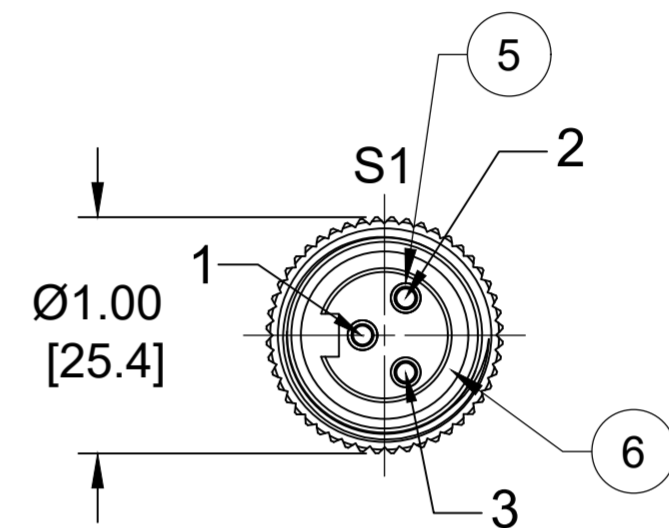
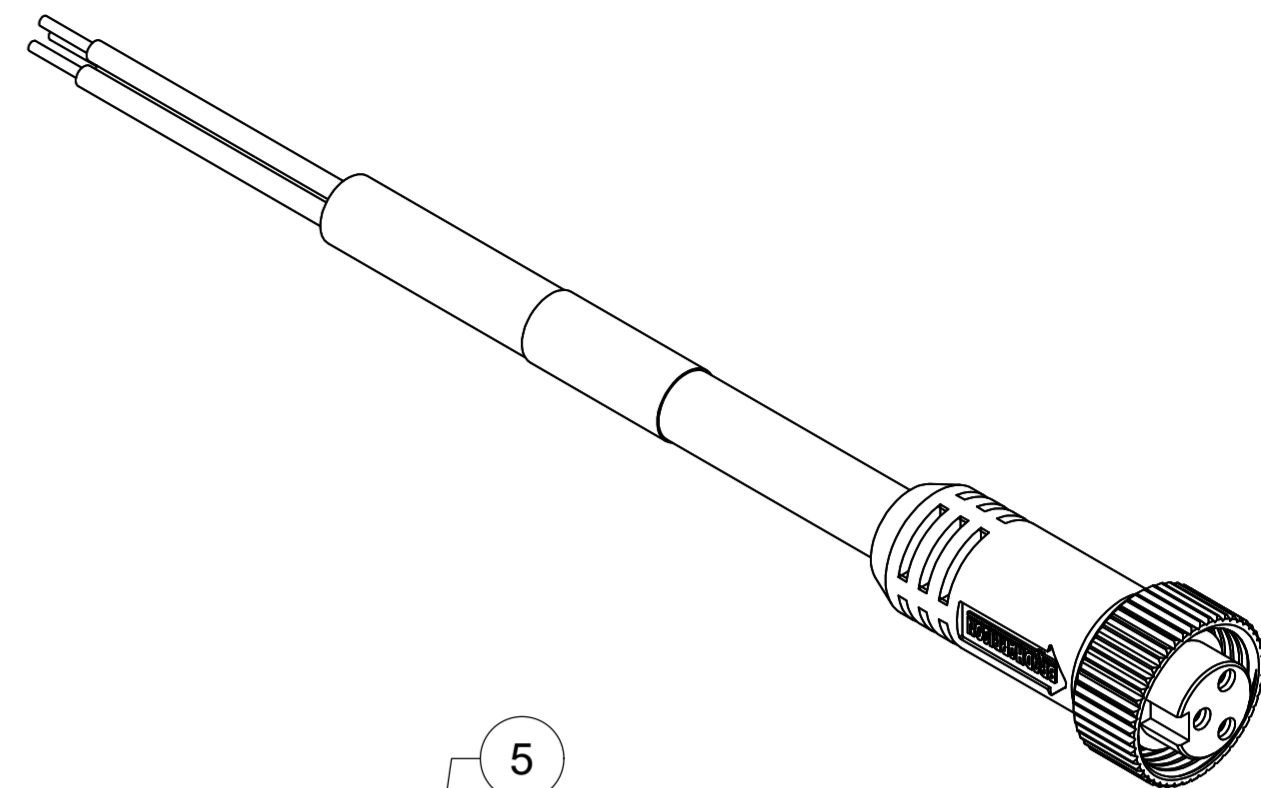
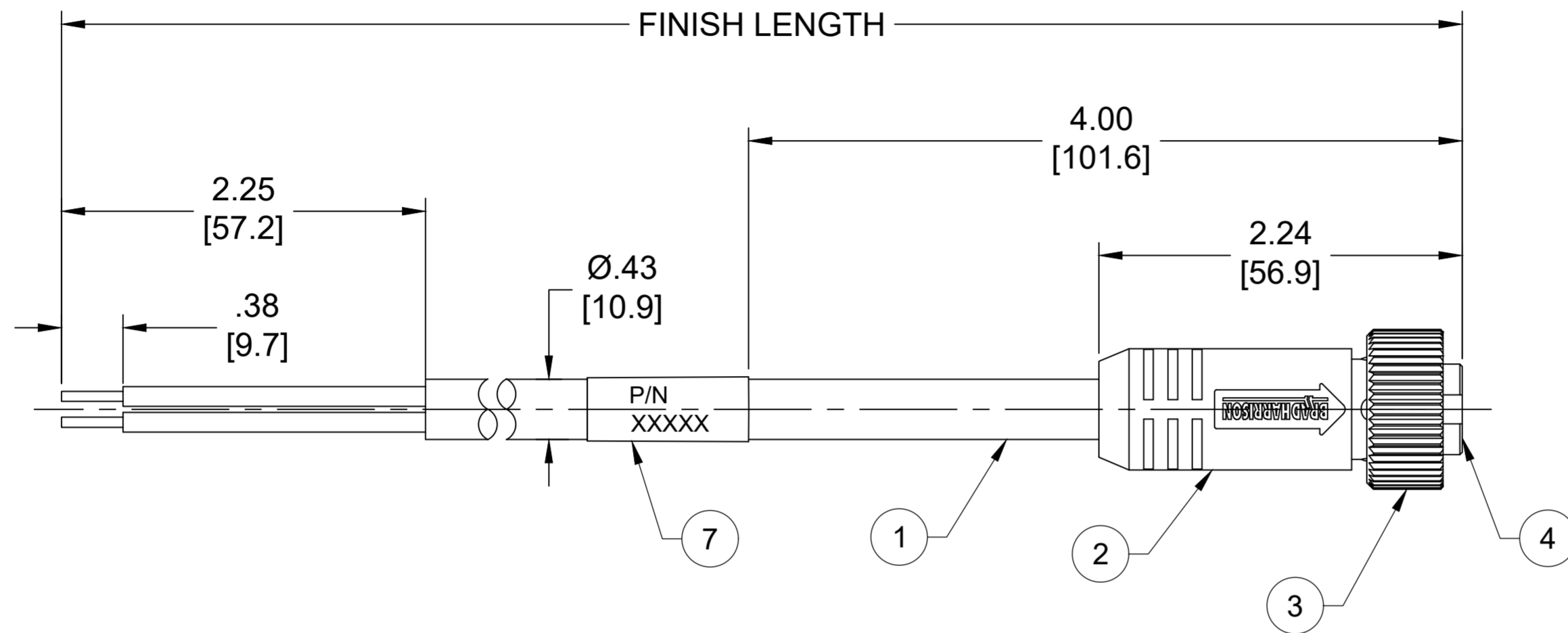


PART NO.	ENGINEERING NO.	FINISHED LENGTH
1300060374	103000C01F030	3FT [0.9M]
1300060380	103000C01F120	12FT [3.7M]
1300060386	103000C01F300	30FT [9.1M]



FEMALE FACE VIEW

NOTES:

- MATERIAL: AS NOTED
- FINISH: AS NOTED
- ELECTRICAL:
VOLTAGE : 500V PER IEC 60664
600V PER UL 2238
CURRENT: 13A
- TEMP RATING: -20° TO +90°C
- PROTECTION: IP67 (WHEN MATED)
- COUPLING THREAD: 7/8"-16UN
- CSA CERTIFIED FILE: LR6837
- ALL DIMENSIONS ARE FOR REFERENCE UNLESS TOLERANCED OR NOTED OTHERWISE

S1

GREEN-GND	1
RED WITH BLACK	2
RED WITH WHITE	3

WIRING DIAGRAM

PART NUMBER LEGEND

103000C01F030

CABLE LENGTH
F050 = 5 FEET
F100 = 10 FEET
F500 = 50 FEET

CABLE LENGTH TOLERANCES

<.3M [1FT]:	+19mm-0 [+.75in-0]
.3 - .9M [1 - 3FT]:	+44.5mm-0 [+1.75in-0]
.9 - 1.8M [3 - 6FT]:	+55.6mm-0 [+2.19in-0]
1.8 - 3.7M [6 - 12FT]:	+88.9mm-0 [+3.50in-0]
3.7 - 7.3M [12 - 24FT]:	+165.1mm-0 [+6.50in-0]
7.3-14.6M [24 - 48FT]:	+317.5mm-0 [+12.50in-0]
14.6 - 30.5M [48-100FT]:	+622.3mm-0 [+24.50in-0]
OVER 30M [100FT]	+2% OF FINISHED LENGTH

ITEM	COMPONENT	MATERIAL	FINISH
7	WRAP LABEL	VINYL	BLACK/YELLOW
6	FRICITION RING	NYLON	WHITE
5	CONTACT SOCKET	COPPER ALLOY	GOLD OVER NICKEL
4	INSERT	TPE	YELLOW
3	COUPLING NUT	ZINC DIE CAST	BLACK-E-COAT
2	OVERMOLD	TPE	YELLOW
1	CABLE, 16 AWG	RUBBER	YELLOW

FUNCTIONAL SYMBOLS	THIS DRAWING CONTAINS INFORMATION THAT IS PROPRIETARY TO MOLEX ELECTRONIC TECHNOLOGIES, LLC AND SHOULD NOT BE USED WITHOUT WRITTEN PERMISSION		CURRENT REV DESC: ITEM# 2 & 4 WERE PVC. ITEM #7 WAS PLASTIC FILM. ADDED ITEM #6, IEC VOLTAGE, PN LEGEND & TOL CHART. MODIFIED PN CHART. REMOVED UL FROM NOTES	
FA=0	DIMENSION UNITS	SCALE	EC NO: 702709	
FC=0	INCH/MM	NTS	DRWN: ABENJAMINLW	2021/05/20
FP=0	GENERAL TOLERANCES (UNLESS SPECIFIED)		CHK'D: RSTONE	2022/04/11
DIVISIONAL SYMBOLS	mm	INCH	APPR: BWOODMAN	2022/04/16
	4 PLACES ±----	±----	INITIAL REVISION:	
	3 PLACES ±----	±----	DRWN: BWOODMAN	2009/12/28
	2 PLACES ±----	±----	APPR: JFMURPHY	2010/01/05
	1 PLACE ±----	±----	THIRD ANGLE PROJECTION	
	0 PLACES ±----	±----	DRAWING	SERIES
	ANGULAR TOL ± ---- °		C-SIZE	130006
	DRAFT WHERE APPLICABLE MUST REMAIN WITHIN DIMENSIONS		MATERIAL NUMBER	CUSTOMER
			SEE CHART	GENERAL MARKET
			DOCUMENT NUMBER	DOC TYPE/DOC PART/REVISION
			SD-130006-023	PSD 001 B
			SHEET NUMBER	1 OF 1