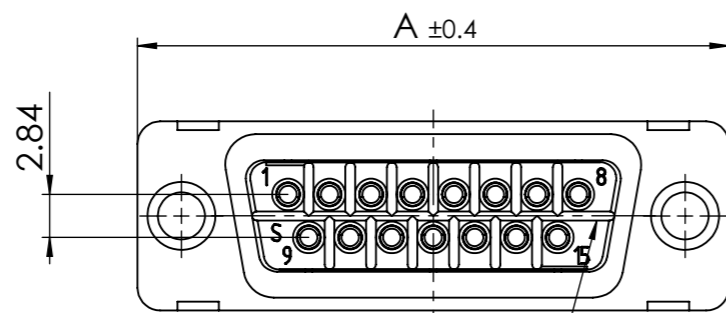
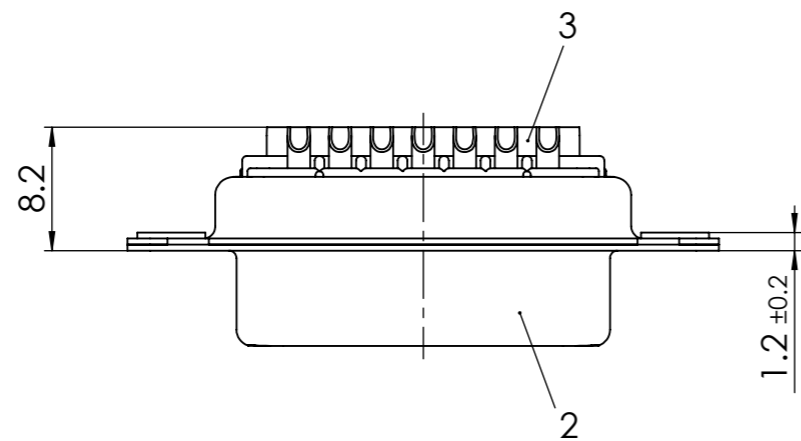
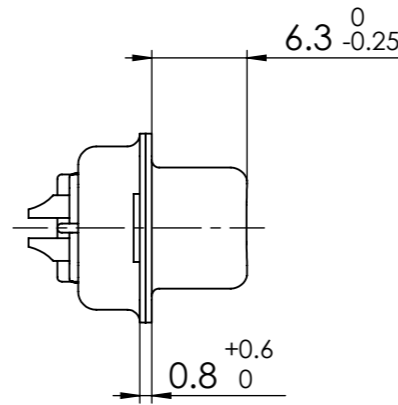
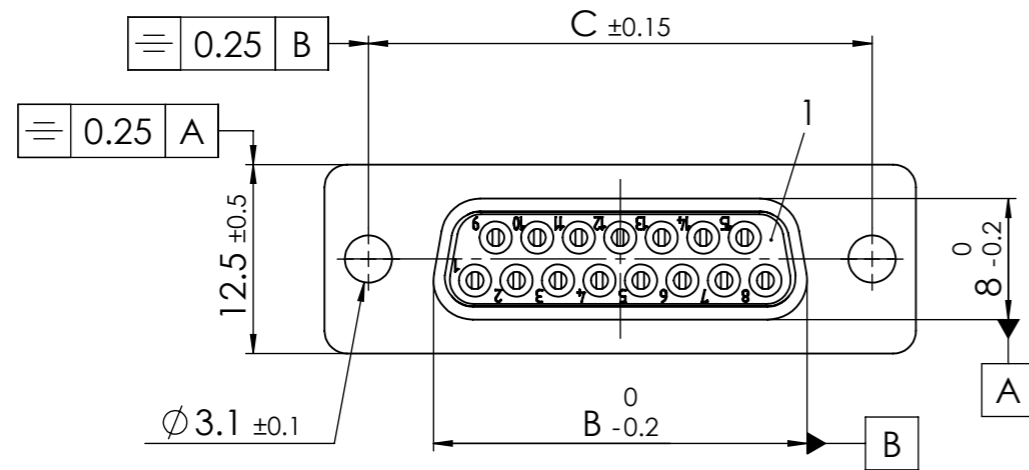


COMMENT:  
 ALL RIGHTS ARE RESERVED BY US FOR THIS DRAWING. WITHOUT OUR PRIOR CONSENT,  
 IT MAY NEITHER BE DUPLICATED NOR MADE AVAILABLE TO A THIRD PARTY.  
 AND IT ALSO MAY NOT BE IMPROPERLY USED BY THE RECEIVER, OR A THIRD PARTY.



Connectors with 37 contacts,  
 without geometry for  
 creepage distance

# Fxx\*1)SA-K700

e.g. F15SA-K700


RoHS compliant

\*1) xx No. of contacts 09, 15, 25 or 37

xx	A [mm]	B [mm]	C [mm]
09	30.8	16.4	25
15	39.1	24.7	33.3
25	53	38.5	47.04
37	69.3	54.9	63.5

Protection standard IP67, 100% checked according to DIN EN60529

No.	St.	Part	Type Description/Material	Surface plating/Colour/Class
3	xx	Signal contact	S0 / Brass	AuroPur / AWG 20
2	1	Shell	Brass	tin plated
1	1	Insulator	PBT (-25°C - +70°C)	red

DRAWN	sschref 22-05-2013	CHECKED	ADenzinger 22-05-2013	 a molex company	TITLE <b>Waterproof          D-Sub Miniature Connector</b>	DWG.NO. <b>FxxSA-K700</b>	REV.	1
							DATE	CH.-NO.